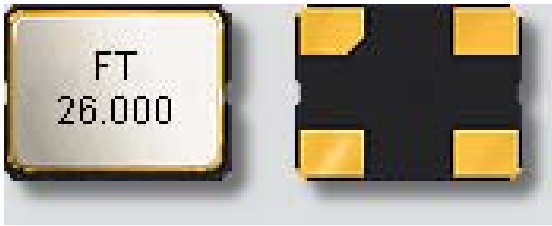


**SMD QUARTZ CRYSTAL RESONATOR**
**石英晶体谐振器**

**4 Pad Version 7.0x5.0 mm**

- ±10 ppm type available
- Excellent Reliability Performance
- EMI shielding possible by grounded lid
- Reflow soldering temperature: 260°C max
- Ceramic Seam Weld package



RoHS compliant

**★ PARAMETERS**
**技术参数**

PARAMETERS	参数	SPECIFICATION 规格
Frequency Range	频率范围	6~50MHz
Operation Mode	振动模式	Fundamental
Loading Capacitance	负载电容	12pF Std. 8 to 32pF Series available
Drive Level	激励电平	10 μ W (300 μ W Max)
Frequency Tolerance	频率偏差	±10ppm~±30ppm (at 25°C)
Equivalent Resistance	谐振电阻	80 Ω Max
Frequency Stability	频率稳定性	±5ppm~±50ppm
Operating Temp. Range:	工作温度范围	-10~+60°C to -40~+85°C
Storage Temp. Range:	储存温度范围	-55~+125°C

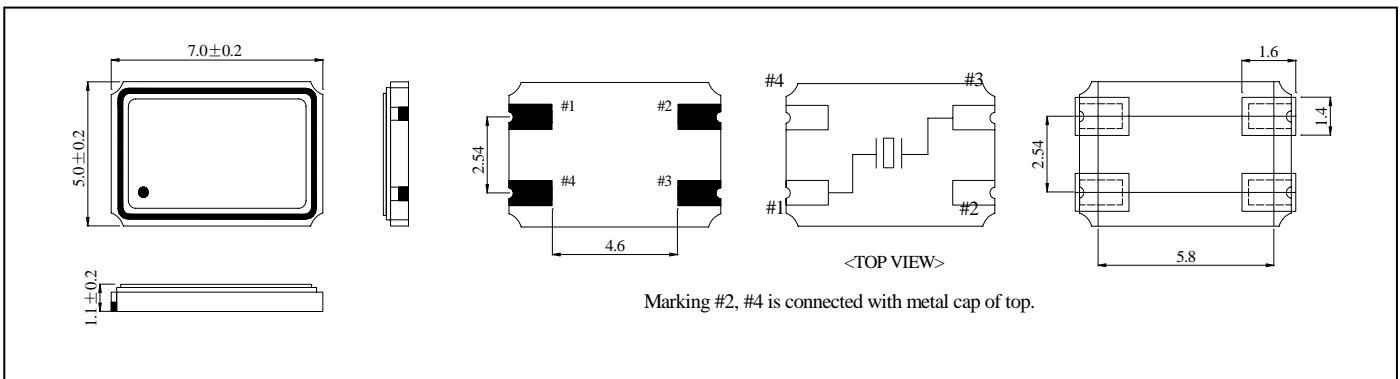
◎ All specification subject change without notice. 规格变化, 恕不另行通知。

**★ FREQUENCY STABILITY VS. TEMPERATURE 频率温度特性**
**★ ESR (SERIES RESISTANCE RS)**

Operation Temperature Range	Frequency Stability					
	±5ppm	±10ppm	±15ppm	±20ppm	±30ppm	±50ppm
-10°C~+60°C	○	●	○	●	○	○
-20°C~+70°C		●	○	○	●	○
-40°C~+85°C				○	○	●

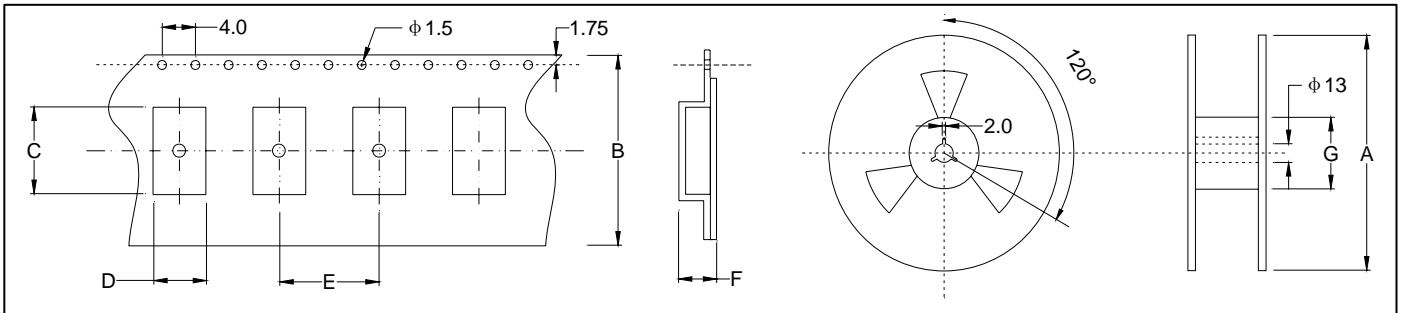
Frequency	Vib. Mode	ESR
6-9.999MHz	AT CUT/FUND.	80Ω(MAX)
10-15.999MHz	AT CUT/FUND.	50Ω(MAX)
16-24.999MHz	AT CUT/FUND.	40Ω(MAX)
25-50.000MHz	AT CUT/FUND.	30Ω(MAX)

● standard ○ available

**★ DIMENSIONS & LAND PATTERN LAYOUT (Unit: mm) 外形尺寸**

**★ PART NUMBER GUIDE 部件号示例**

e.g. FTX12.000M12SM7S (\*SM7S=7.0×5.0 SMD S-SEAM TYPE)

FT	Quartz Crystal Resonator 石英晶体谐振器	Frequency 频率	Load Capacitance 负载电容	Package 盒型
	X	12.000M	12	SM7S

**★ TAPING SPECIFICATION (Unit: mm) 编带规格**


	A	B	C	D	E	F	G
SMD7050	178±2.0	16.0±0.3	7.40±0.10	5.40±0.10	8.0±0.1	1.8±0.1	60.5±1.0
1000 pcs per reel							

**★ REFLOW SOLDERING PROFILE 回流焊特性**
