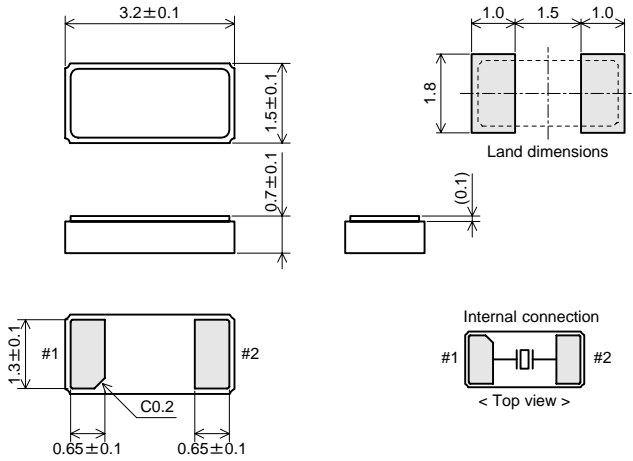


### Dimensions

Unit: mm



### Features

- Compact design (3.2mm×1.5mm×0.8mm Max., Weight : 12.4mg).
- Ceramic package and metal lid assures extreme accuracy and high reliability by electron beam sealing.
- Lead-free soldering is available.
- Applications : Laptop PC, DSC, DVC, Mobile phone



### Specifications

Item	Standard specifications
Nominal frequency(kHz)	32.768
Frequency tolerance(ppm) (at 25°C)	±10, ±20, ±30, ±50, ±100
Storage temperature range(°C)	-55 to +125
Operating temperature range(°C)	-40 to +85
Turnover temperature(°C)	25±5
Parabolic coefficient(/°C <sup>2</sup> )	$-(0.03 \pm 0.01) \times 10^{-6}$
Motional resistance(ESR)(kΩ)	70 Max.
Motional capacitance(fF)	3.5(Typ.)
Level of drive(μW)	0.5 Max.
Load capacitance(pF)	7.0, 9.0, 12.5

### Taping

Unit: mm

