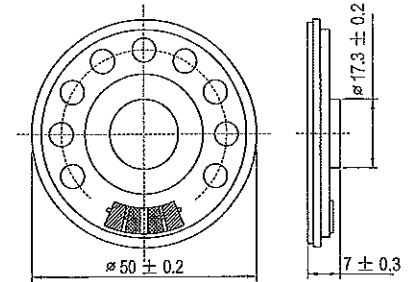
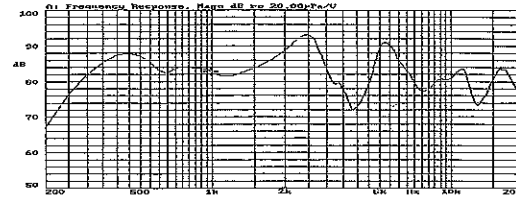




①

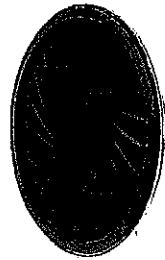
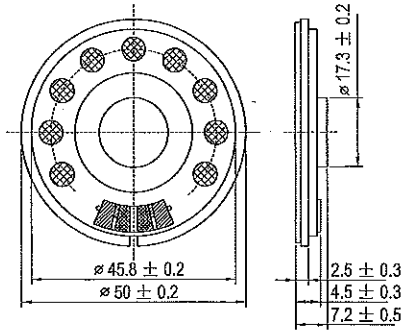
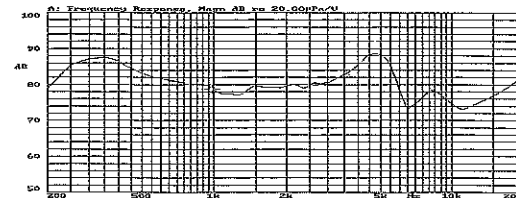
**YDB50-12**

Rated Impedance ( $\Omega$ )	$8 \pm 15\%$
Rated (Max) Power (W)	0.1 (0.2)
Resonance Frequency (Hz)	$500 \pm 20\%$
Rated Freq. Range (Hz)	f.-4000
Sound Pressure Level (dB/1m, 1w)	$83 \pm 3$
Weight (g)	14
Operating Temperature ( $^{\circ}\text{C}$ )	-10~+40



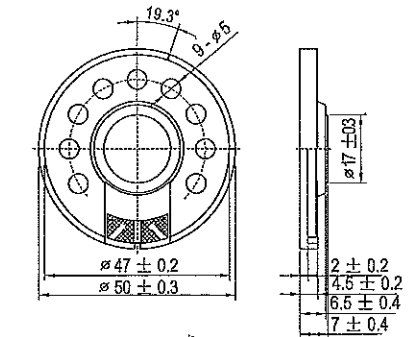
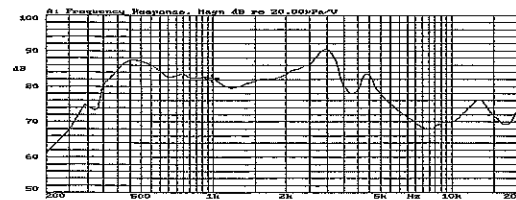
**YDB50-12G**

Rated Impedance ( $\Omega$ )	$8 \pm 20\%$
Rated (Max) Power (W)	1 (2)
Resonance Frequency (Hz)	$500 \pm 20\%$
Rated Freq. Range (Hz)	f.-4000
Sound Pressure Level (dB/1m, 1w)	$83 \pm 3$
Weight (g)	14
Operating Temperature ( $^{\circ}\text{C}$ )	-10~+40



**YDB50-13**

Rated Impedance ( $\Omega$ )	$8 \pm 20\%$
Rated (Max) Power (W)	0.2 (0.4)
Resonance Frequency (Hz)	$400 \pm 20\%$
Rated Freq. Range (Hz)	f.-5000
Sound Pressure Level (dB/1m, 1w)	$83 \pm 3$
Weight (g)	9
Operating Temperature ( $^{\circ}\text{C}$ )	-10~+40



**YDB58-11**

Rated Impedance ( $\Omega$ )	$8 \pm 15\%$
Rated (Max) Power (W)	0.25 (0.5)
Resonance Frequency (Hz)	$500 \pm 20\%$
Rated Freq. Range (Hz)	f.-4000
Sound Pressure Level (dB/1m, 1w)	$85 \pm 3$
Weight (g)	16
Operating Temperature ( $^{\circ}\text{C}$ )	-10~+40

