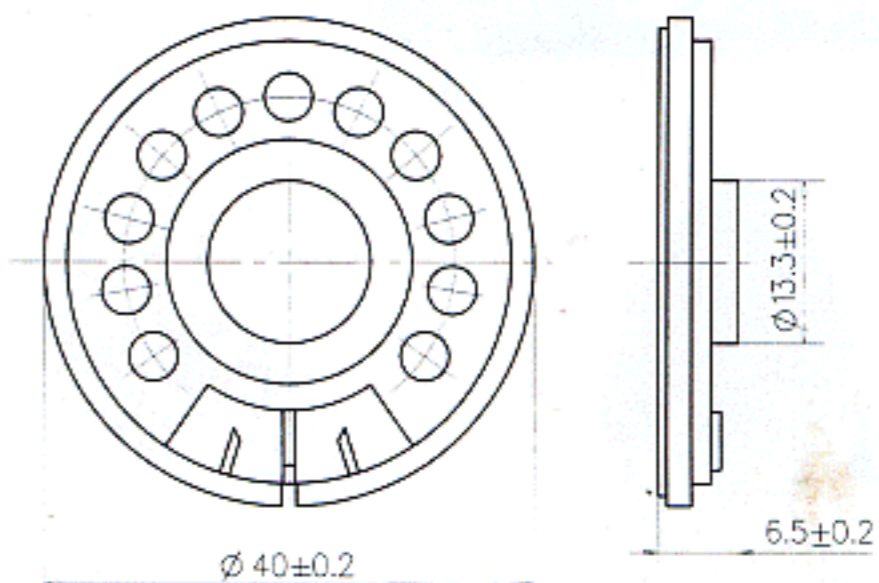


YDB40-12



DIMENSIONS



SPECIFICATIONS

Rated Impedance	Ω	$32 \pm 15\%$
Rated(Max.)Power	W	0.2(0.3)
Resonance Frequency	Hz	$550 \pm 20\%$
Rated Freq.Range	Hz	$f_0 \sim 3500$
Sound Pressure Level	dB	82 ± 3
Magnet	g	0.6
Operating Temperature	$^{\circ}\text{C}$	$-10 \sim +40$

FREQUENCY RESPONSE

