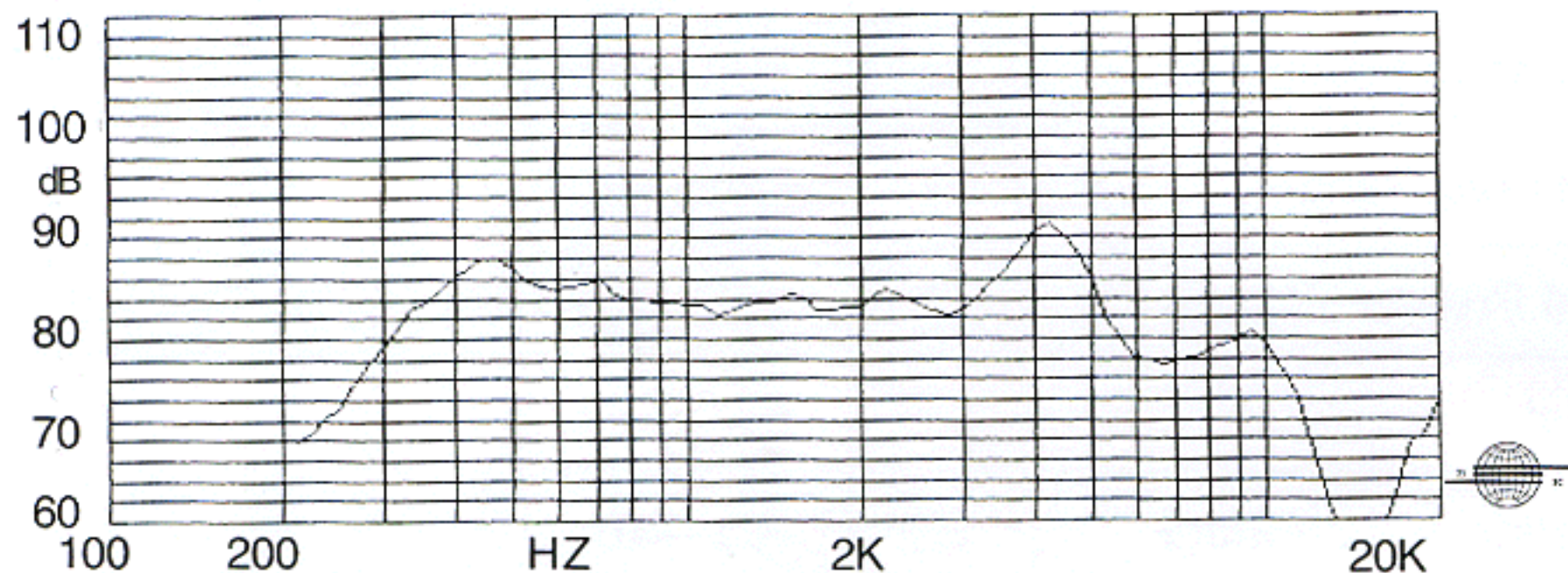


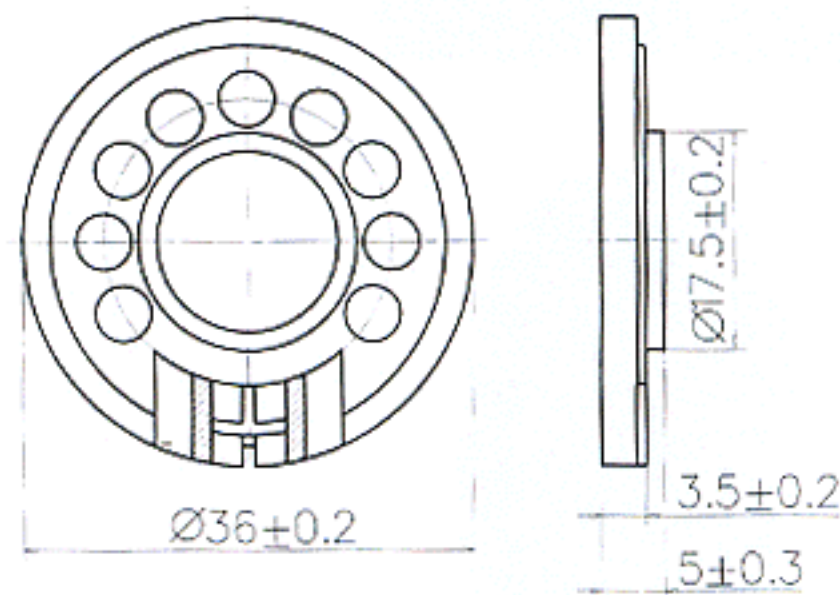
YDB36-13C



FREQUENCY RESPONSE



DIMENSIONS



SPECIFICATIONS

| | | |
|-----------------------|--------------------|-----------------|
| Rated Impedance | Ω | $8 \pm 15\%$ |
| Rated(Max.)Power | W | 0.25(0.5) |
| Resonance Frequency | Hz | 450 ± 100 |
| Rated Freq.Range | Hz | $f_0 \sim 5000$ |
| Sound Pressure Level | dB | 83 ± 3 |
| Magnet | g | 1.1 |
| Operating Temperature | $^{\circ}\text{C}$ | $-40 \sim +90$ |