

SPECIFICATION

FOR APPRONAL

Customer : _____

Product Name : Siren _____

Model Name : VSS-90V12T1 _____

Drawing No. : VS20221128019 _____

Signature of Voise

Approved by	Checkde by	Issued by	Date

 **福爱斯电子有限公司**
VOISE ELECTRONICS CO.,LTD.

Address:No 96 Mogao Dongqian Lake Industial Area ningbo,China,
Tel:0086-0574-87773030;Fax:0086-0574-87471600 P.C.315121
<http://www.nbvoise.com> Email:sales@nbvoise.com

Specification for Siren		Page	2/3
		Revision No.	1.0
Model No. : VSS-90V12T1		Drawing No.	VS20221128019

2. Scope

This specification is applied to the siren used for sounder in alarm systems, Please contact us when using this product for any other applications than described in the above.

3. General

- 2.1 Out-Diameter : 90 mm
- 2.2 Height Xlight : 85x86 mm
- 2.3 Weight : 200 ±10g
- 2.4 Operating Temperature range:
-20~+60 °C without loss of function
- 2.5 Store Temperature range:
-30~+70 °C without loss of function

4. Electrical and Acoustic Characteristics.

Test condition : 15 ~ 35 °C, 25% ~ 85% RH, 860~1060 mbar

No	Items	Specification
1	Rated voltage	12VDC
2	Operating voltage	9-30VDC
3	Max Rated Current	650mA at 12VDC
4	Min Sound pressure Level	112dB at 12VDC/100cm
5	Tone Nature	Siren
6	shell Material /color	ABS/Black
7	Wire	Red +12VDC
8	Wire	Black GND

Specification for Siren

Page

3/3

Revision No.

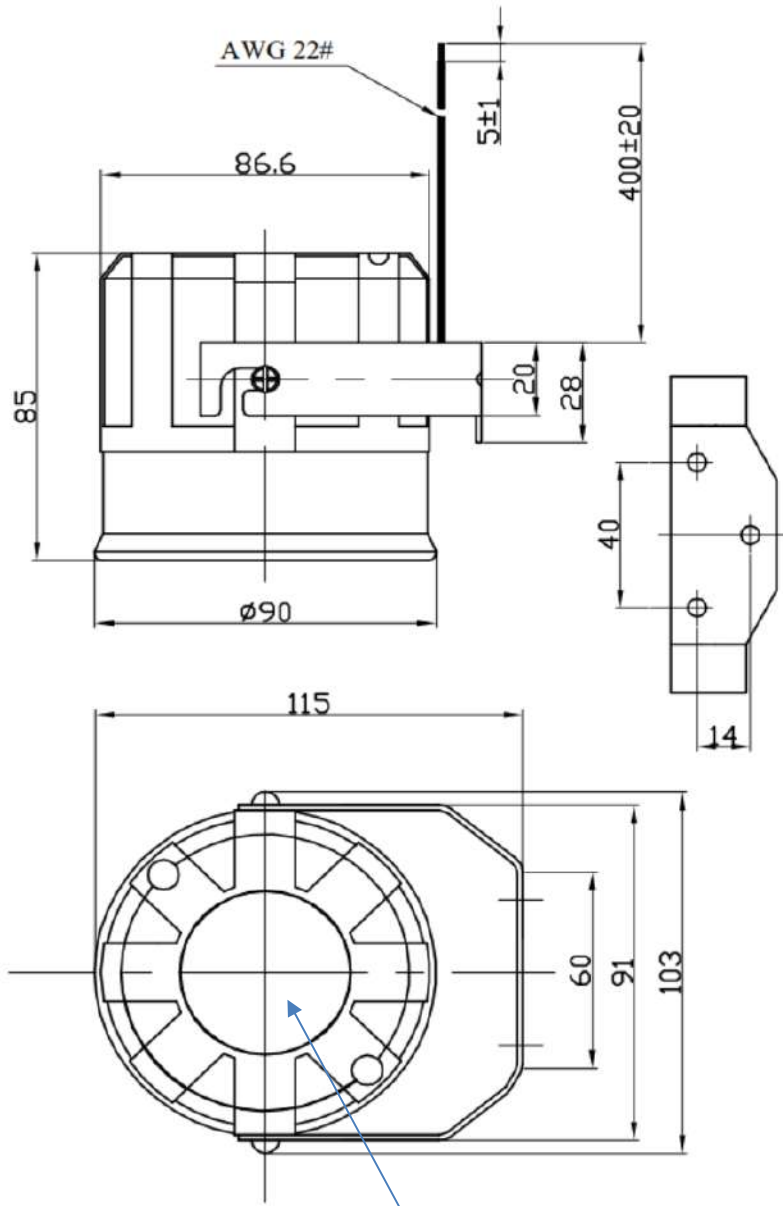
1.0

Model No. : VSS-90V12T1

Drawing No.

VS20221128019

5. Dimensions



FIRST ANGLE PROJECTION



Marking
VSS-90V12T1
9-30VDC

UNIT : mm

Tolerance : ± 1.5