



# SPECIFICATION

## FOR APPRONAL

Customer : \_\_\_\_\_

Product Name : Piezo Buzzer (External-drive) \_\_\_\_\_

Model Name : VSR3585 \_\_\_\_\_

Drawing No. : VS20190517007 \_\_\_\_\_

### Signature of Voise

Approved by	Checkde by	Issued by	Date



福爱斯电子有限公司  
VOISE ELECTRONICS CO.,LTD.

Office Add:Haoyangguang B-302# No.968 Baizhang Road,Ningbo China  
Factory add: Shishan Industrial Park Moushan Town Yuyao City China  
Tel:86-0574-87471601 Fax:86-0574-87471603 P.C.315000  
Http://www.nbvoise.com E-mail:sales@nbvoise.com



Specification for Piezo Buzzer		Page	2/5
		Revision No.	1.0
Model No.:	VSR3585	Drawing No.	VS20190517007

## Table of contents

1. Revision
2. Scope
3. General Characteristics
4. Electrical and Acoustic Characteristics.
5. Dimensions
6. Packing

### 1. Revision

Rev.No.	Date	Page	Description of Revision
1.0	2019/5/17		Preliminary



Specification for Piezo Buzzer		Page	3/5
		Revision No.	1.0
Model No.:	VSR3585	Drawing No.	VS20190517007

## 2. Scope

This product specification is applied to the Piezo Buzzer in alarm systems. Please contact us when using this product for any other applications than described in the above.

## 3. General Characteristics

- 3.1 Out-Diameter : 34.5 mm
- 3.2 Height : 8.5 mm
- 3.3 Weight : 5 g
- 3.4 Operating Temperature : -20~+60°C without loss of function
- 3.5 Store Temperature : -30~+70°C without loss of function

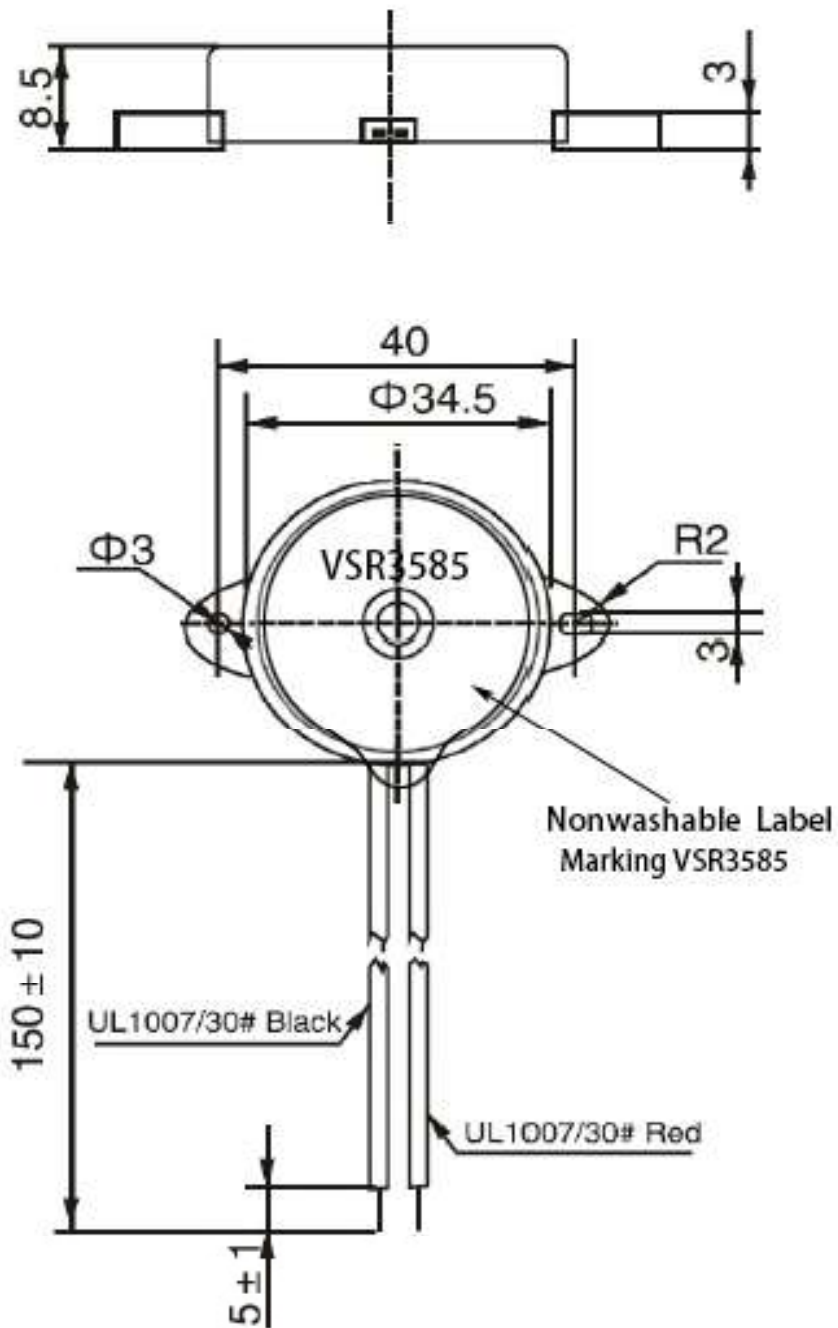
## 4. Electrical and Acoustic Characteristics.

Test condition : 15 ~ 35 °C Temp., 25% ~ 75% RH, 86~106 kPa Refer to IEC60268-1

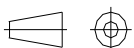
No	Items	Specification
1	Rated Voltage	12Vp-p square wave
2	Max Working Voltage	30Vp-p square wave
3	Max Rated Current	3mA at 1.0kHz/12Vp-p Square Wave
4	Min Sound Pressure Level	78dB at 1.0kHz/12Vp-p square wave/30cm
5	Resonant Frequency	1.0±0.5KHz
6	Capacitance at 120Hz	60000pF±30%
7	Tone Nature	Continuous
8	Housing Material	BAS
9	Color	Black

Specification for Piezo Buzzer		Page	4/5
		Revision No.	1.0
Model No.:	VSR3585	Drawing No.	VS20190517007

### 5. Dimensions



FIRST ANGLE PROJECTION



UNIT : mm  
Tolerance :  $\pm 0.2$



Specification for Piezo Buzzer		Page	5/5
		Revision No.	1.0
Model No.:	VSR3585	Drawing No.	VS20190517007

## 6. Packing

Each minimum package unit of products shall be in a carton box and it shall be clearly marked with Part Number ,quantity and outgoing inspection number.

There shall be no mechanical damage on products during in storage.