

SPECIFICATION

FOR APPROVAL

Customer : _____

Product Name : Piezo Buzzer (External-drive) _____

Model Name : VSR3017F33L100 _____

Drawing No. : VS20210927011 _____

Signature of Voice

Approved by	Checkde by	Issued by	Date

 福爱斯电子有限公司
VOISE ELECTRONICS CO.,LTD.

Address:No 96 Mogao Dongqian Lake Industial Area ningbo,China,
Tel:0086-0574-87773030;Fax:0086-0574-87471600 P.C.315121
<http://www.nbvoice.com> Email:sales@nbvoice.com

Specification for Piezo Buzzer		Page	2/5
Model No.:	VSR3017F33L100	Revision No.	1.1
		Drawing No.	VS20210927011

Table of contents

- 1. Revision
- 2. Scope
- 3. General Characteristics
- 4. Electrical and Acoustic Characteristics.
- 5. Dimensions
- 6. Packing

1. Revision

Rev.No.	Date	Page	Description of Revision
1.1	2023/3/28		Preliminary

Specification for Piezo Buzzer		Page	3/5
		Revision No.	1.1
Model No.:	VSR3017F33L100	Drawing No.	VS20210927011

2. Scope

This product specification is applied to the Buzzer in alarm systems. Please contact us when using this product for any other applications than described in the above.

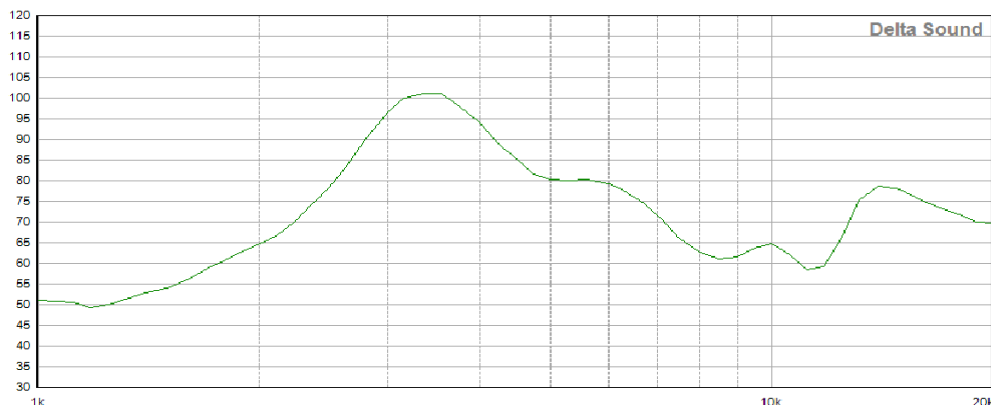
3. General Characteristics

- 3.1 Out-Diameter : 30 mm
- 3.2 Height : 17 mm
- 3.3 Weight : 5.9 g
- 3.4 Operating Temperature : -20~+60°C without loss of function
- 3.5 Store Temperature : -30~+70°C without loss of function

4. Electrical and Acoustic Characteristics.

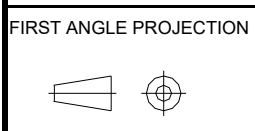
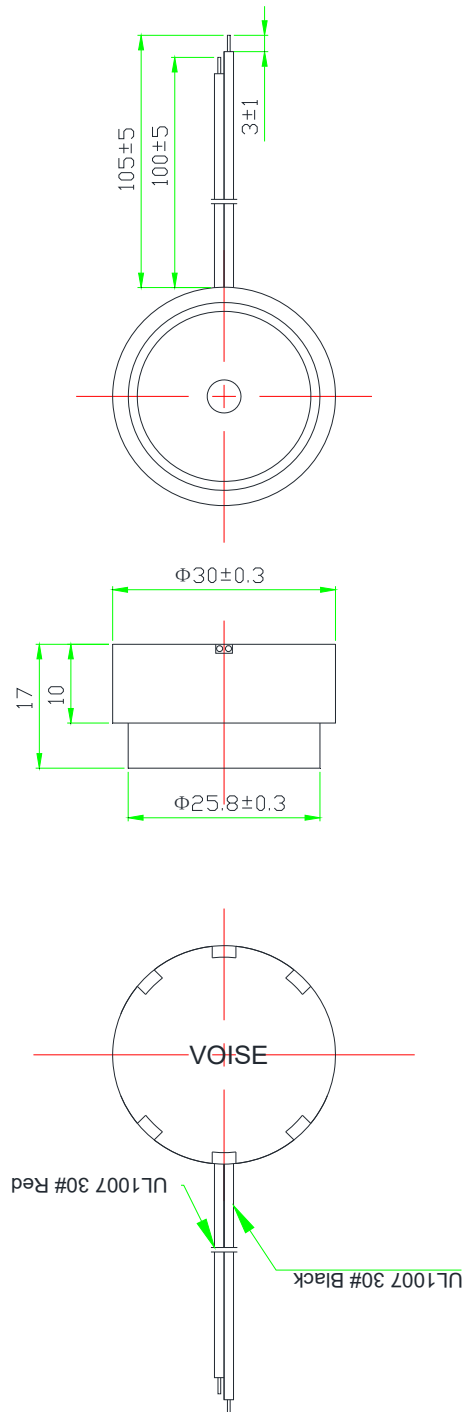
Test condition :15 ~ 35 °C Temp., 25% ~ 75% RH,86~106 kPa Refer to IEC60268-1

No	Items	Specification
1	Rated Voltage	15Vp-p square wave
2	Max Working Voltage	30Vp-p square wave
3	Max.Rated Current	30mA at 3.3KHz/15Vp-p Square Wave
4	Capacitance at 120Hz	25000±30%PF
5	Min Sound Preesure Level	95dB/15Vp-p square wave/30cm
6	Resonant Frequency	3.3±0.5KHz
7	Tone Nature	Continuous
8	Housing Material	ABS
9	Color	White



Specification for Piezo Buzzer		Page	4/5
		Revision No.	1.1
Model No.:	VSR3017F33L100	Drawing No.	VS20210927011

5. Dimensions



UNIT : mm
Tolerance : ± 0.2

Specification for Piezo Buzzer		Page	5/5
		Revision No.	1.1
Model No.:	VSR3017F33L100	Drawing No.	VS20210927011

6. Packing

Each minimum package unit of products shall be in a carton box and it shall be clearly marked with Part Number ,quantity and outgoing inspection number.

There shall be no mechanical damage on products during in storage.