

SPECIFICATION

FOR APPRONAL

Customer : _____

Product Name : Piezo Buzzer _____

Model Name : VSR3-4216F28 _____

Drawing No. : VS20220806003 _____

Signature of Voice

Approved by	Checkde by	Issued by	Date

 福爱斯电子有限公司
VOISE ELECTRONICS CO.,LTD.

Address:No 96 Mogao Dongqian Lake Industial Area ningbo,China,
Tel:0086-0574-87773030;Fax:0086-0574-87471600 P.C.315121
<http://www.nbvoice.com> Email:sales@nbvoice.com

Specification for Piezo Buzzer		Page	3/5	
		Revision No.	1.0	
Model No.:	VSR3-4216F28		Drawing No.	VS20220806003

2. Scope

This product specification is applied to the Buzzer in alarm systems. Please contact us when using this product for any other applications than described in the above.

3. General Characteristics

- 3.1 Out-Diameter : 42 mm
- 3.2 Height : 16 mm
- 3.3 Weight : 10 g
- 3.4 Operating Temperature : -20~+60°C without loss of function
- 3.5 Store Temperature : -30~+70°C without loss of function

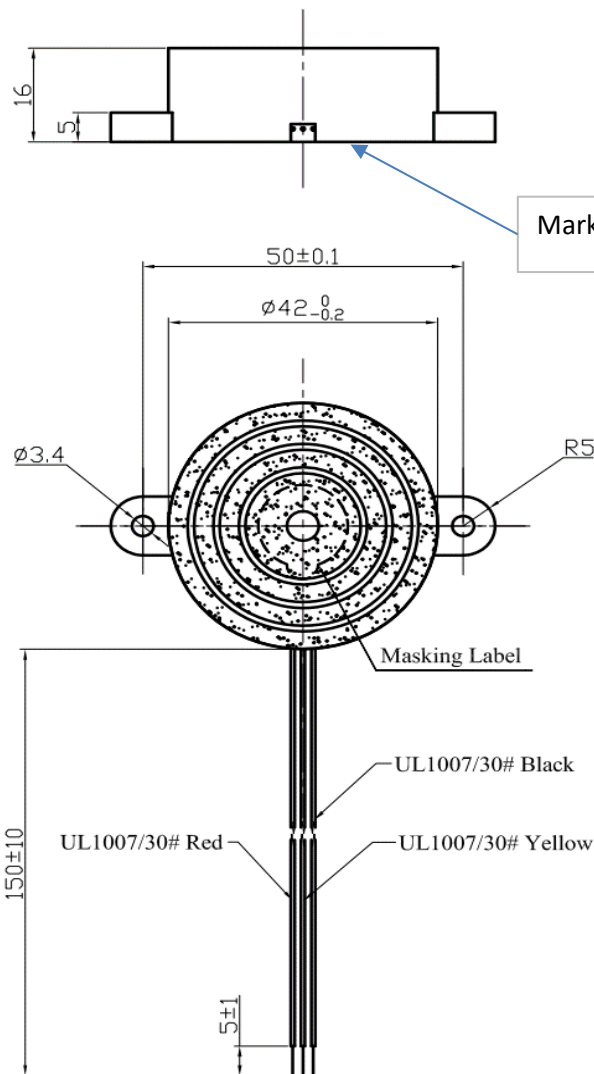
4. Electrical and Acoustic Characteristics.

Test condition : 15 ~ 35 °C Temp., 25% ~ 75% RH, 86~106 kPa Refer to IEC60268-1

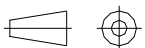
No	Items	Specification
1	Rated Voltage	12Vp-p square wave
2	Max Working Voltage	30Vp-p square wave
3	Max. Rated Current	15mA at 2.8KHz/12Vp-p Square Wave
4	Capacitance at 120Hz	30000±30%pF
5	Min Sound Pressure Level	85dB/12Vp-p square wave/30cm
6	Resonant Frequency	2.8±0.5KHz
7	Housing Material	ABS
8	Color	Black

Specification for Piezo Buzzer		Page	4/5
		Revision No.	1.0
Model No.:	VSR3-4216F28	Drawing No.	VS20220806003

5. Dimensions



FIRST ANGLE PROJECTION



UNIT : mm

Tolerance : ± 0.2

Specification for Piezo Buzzer		Page	5/5
		Revision No.	1.0
Model No.:	VSR3-4216F28	Drawing No.	VS20220806003

6. Packing

Each minimum package unit of products shall be in a carton box and it shall be clearly marked with Part Number ,quantity and outgoing inspection number.

There shall be no mechanical damage on products during in storage.