

# SPECIFICATION

## FOR APPROVAL

Customer : \_\_\_\_\_

Product Name : Magnetic Buzzer \_\_\_\_\_

Model Name : VSM9655V3F27PVR25 \_\_\_\_\_

Drawing No. : VS20220208010 \_\_\_\_\_

### Signature of Voise

Approved by	Checkde by	Issued by	Date

 福爱斯电子有限公司  
VOISE ELECTRONICS CO.,LTD.

Address:No 96 Mogao Dongqian Lake Industial Area ningbo,China,  
Tel:0086-0574-87773030;Fax:0086-0574-87471600 P.C.315121  
<http://www.nbvoise.com> Email:sales@nbvoise.com

Specification for Magnetic Buzzer		Page	2/5
		Revision No.	1.0
Model No.:	VSM9655V3F27PVR25	Drawing No.	VS20220208010

## 2. Scope

This product specification is applied to the Magnetic Buzzer in alarm systems. Please contact us when using this product for any other applications than described in the above.

## 3. General Characteristics

- 3.1 Out-Diameter : 9.5 mm
- 3.2 Height : 5.5 mm
- 3.3 Weight : 1.5 g
- 3.4 Operating Temperature : -20~+70°C without loss of function
- 3.5 Store Temperature : -30~+80°C without loss of function

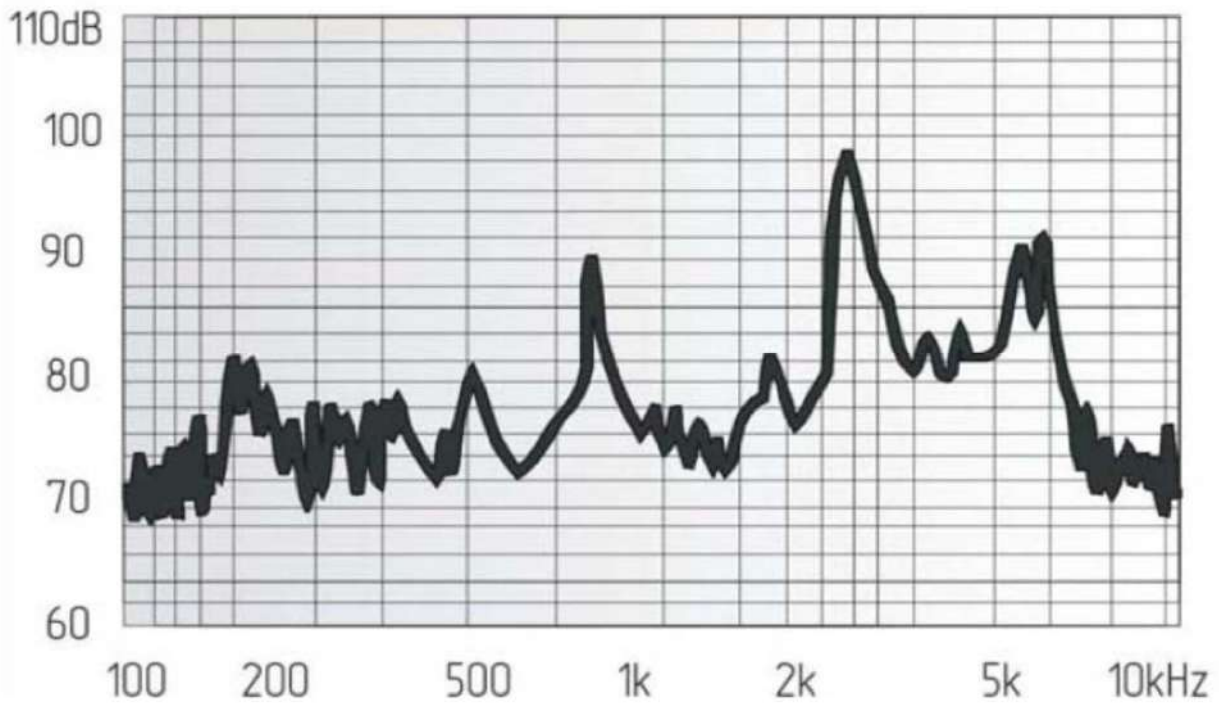
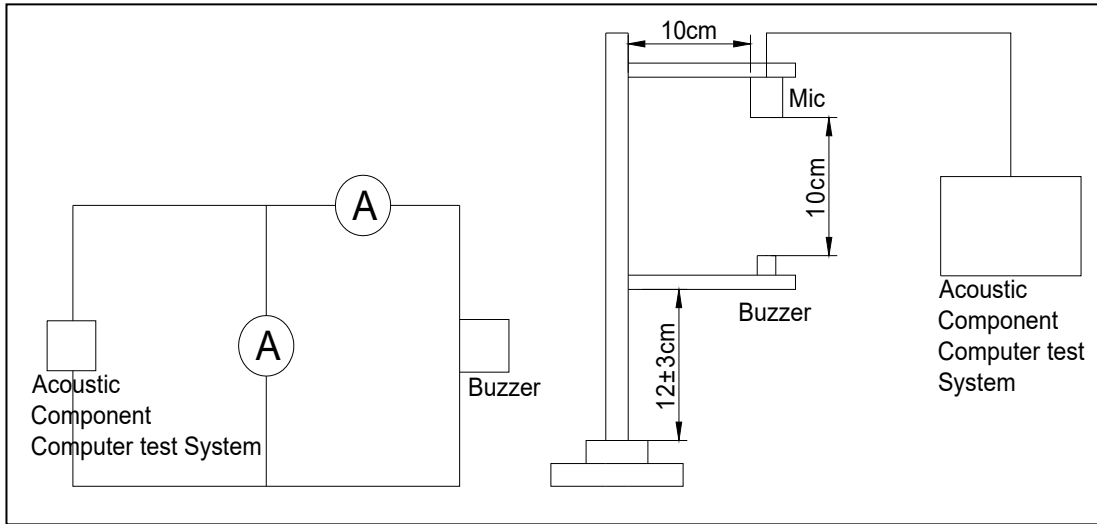
## 4. Electrical and Acoustic Characteristics.

Test condition :15 ~ 35 °C Temp., 25% ~ 75% RH,86~106 kPa Refer to IEC60268-1

No	Items	Specification
1	Rated Voltage	3V
2	Working Voltage	2-5V
3	Max Rated Current	60mA/3V
4	Min Sound Preesure Level	80dB/3V/2700Hz/10cm
5	Resonant Frequency	2700Hz
6	DC resistance	20.5±3Ω
7	AC Impedance	25Ω±5Ω
8	Housing Material	PPO
9	Color	Black

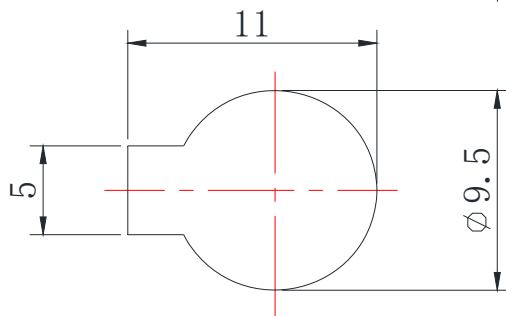
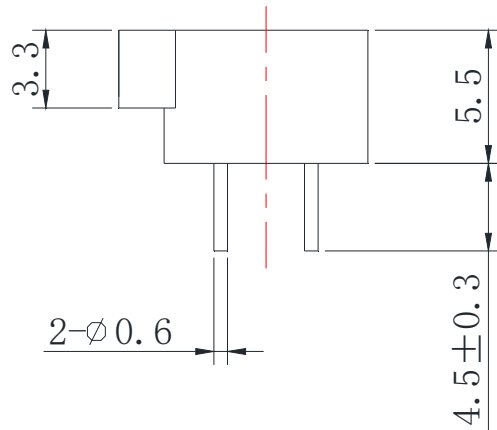
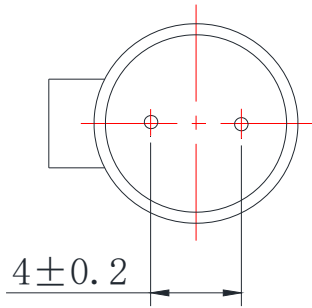
Specification for Magnetic Buzzer		Page	3/5
		Revision No.	1.0
Model No.:	VSM9655V3F27PVR25	Drawing No.	VS20220208010

### 5. Measurement Method & Frequency Response curve

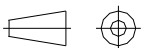


Specification for Magnetic Buzzer		Page	4/5
		Revision No.	1.0
Model No.:	VSM9655V3F27PVR25	Drawing No.	VS20220208010

## 6. Dimensions



FIRST ANGLE PROJECTION



UNIT : mm

Tolerance : ±0.2

Specification for Magnetic Buzzer		Page	5/5
		Revision No.	1.0
Model No.:	VSM9655V3F27PVR25	Drawing No.	VS20220208010

## 7. Packing



Marking Label:  
VSM9655V3F27PV

