

# SPECIFICATION

## FOR APPROVAL

Customer : \_\_\_\_\_

Product Name : Piezo Buzzer(Self-drive)  
\_\_\_\_\_

Model Name : VSI4333P2  
\_\_\_\_\_

Drawing No. : VS20190517011  
\_\_\_\_\_

### Signature of Voise

Approved by	Checkde by	Issued by	Date



**福爱斯电子有限公司**  
VOISE ELECTRONICS CO.,LTD.

Office Add:Haoyangguang B-302# No.968 Baizhang Road,Ningbo China

Factory add: Shishan Industrial Park Moushan Town Yuyao City China

Tel:86-0574-87471601 Fax:86-0574-87471603 P.C.315000

Http://www.nbvoise.com E-mail:sales@nbvoise.com

**Table of contents**

- 1. Revision
- 2. Scope
- 3. General Characteristics
- 4. Electrical and Acoustic Characteristics.
- 5. Dimensions
- 6. Packing

**1. Revision**

Rev.No.	Date	Page	Description of Revision
1.0	2019/5/17		Preliminary

## 2. Scope

This specification is applied to the siren used for sounder in alarm systems, Please contact us when using this product for any other applications than described in the above.

## 3. General

- 3.1 Out-Diameter : 43 mm  
 3.2 Height : 33 mm  
 3.3 Weight : 40 ±3g  
 3.4 Operating Temperature range:  
     -20~+80℃ without loss of function  
 3.5 Store Temperature range:  
     -30~+85℃ without loss of function

## 4. Electrical and Acoustic Characteristics.

Test condition : 15 ~ 35 ℃, 25% ~ 85% RH, 860~1060 mbar

No	Items	Specification
1	Rated Voltage	12V DC
2	Working Voltage	6-28V DC
3	Max Rated Current	30mA/12VDC
4	Min Sound Pressure Level	90dB/12VDC/30cm
5	Resonant Frequency	2.9±0.5KHz
6	Tone Nature	Slow Pulse
7	Housing Material	PC
8	Color	Black

# Specification for Piezo Buzzer(Self-drive)

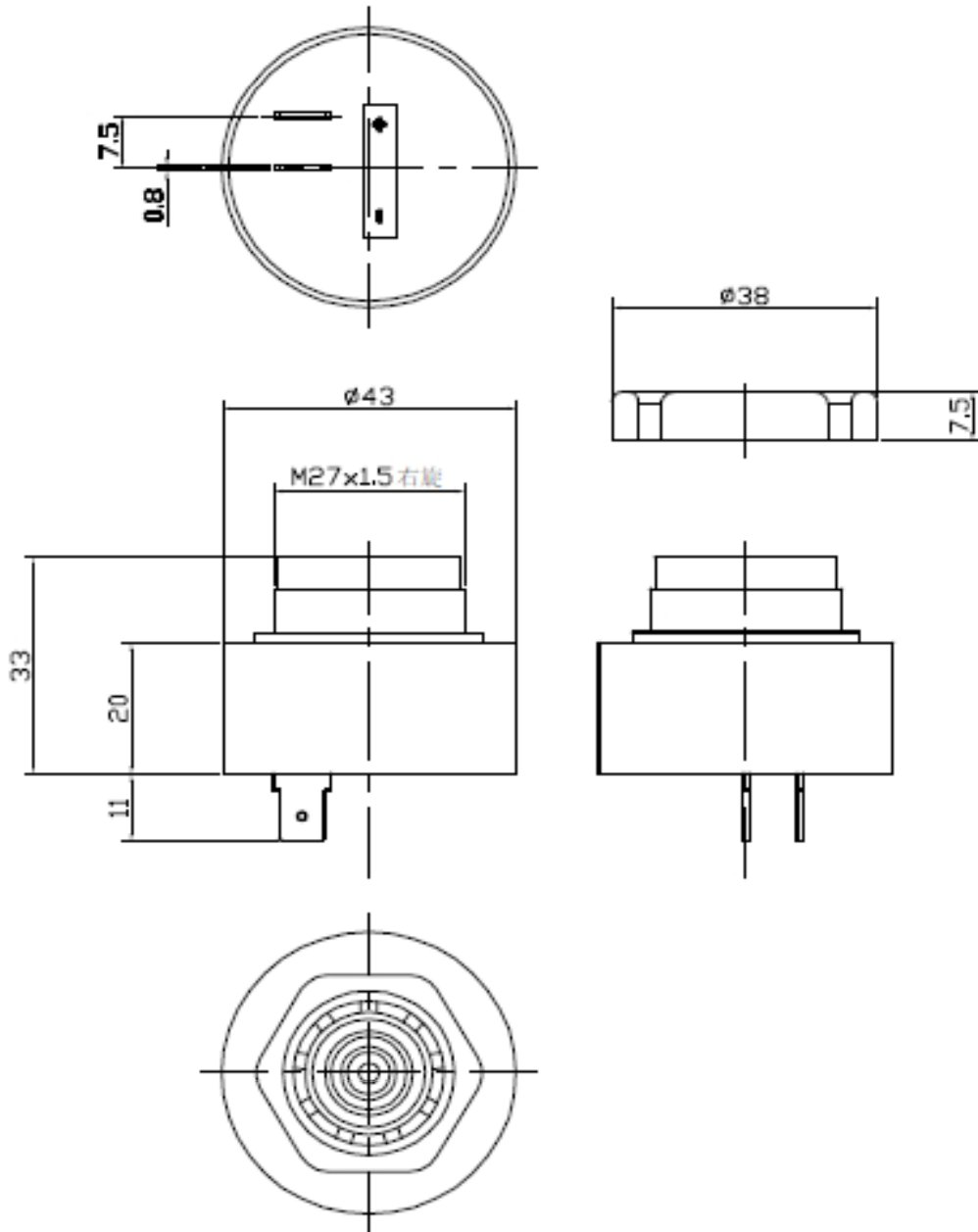
Page 4/5

Revision No. 1.0

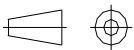
Model No. : VSI4333P2

Drawing No. VS20190517011

## 5. Dimensions



FIRST ANGLE PROJECTION



UNIT : mm

Tolerance :  $\pm 1.5$

Specification for Piezo Buzzer(Self-drive)	Page	5/5
Model No. : VSI4333P2	Revision No.	1.0
	Drawing No.	VS20190517011
<p><b>6. Packing</b></p> <p>Each minimum package unit of products shall be in a carton box and it shall be clearly marked with Part Number ,quantity and outgoing inspection number.</p> <p>There shall be no mechanical damage on products during in storage. .</p> <p style="text-align: right;">Total:200 pcs per box Size:41.5x27x31cm</p>		