

SPECIFICATION

FOR APPRONAL

Customer : _____

Product Name : Piezo Buzzer(Self-drive) _____

Model Name : VSI4216LCPF21 _____

Drawing No. : VS20220803019 _____

Signature of Voice

Approved by	Checkde by	Issued by	Date



Address:No 96 Mogao Dongqian Lake Industial Area ningbo,China,
Tel:0086-0574-87773030;Fax:0086-0574-87471600 P.C.315121
<http://www.nbvoise.com> Email:sales@nbvoise.com

Specification for Piezo Buzzer(Self-drive)	Page	2/5
	Revision No.	1.0
Model No.: VSI4216LCPF21	Drawing No.	VS20220803019

Table of contents

- 1. Revision
- 2. Scope
- 3. General Characteristics
- 4. Electrical and Acoustic Characteristics.
- 5. Dimensions
- 6. Packing

1. Revision

Rev.No.	Date	Page	Description of Revision
1.0	2022/8/3		Preliminary

Specification for Piezo Buzzer(Self-drive)	Page	3/5
	Revision No.	1.0
Model No. : VSI4216LCPF21	Drawing No.	VS20220803019

2. Scope

This specification is applied to the piezo buzzer used for sounder in alarm systems, Please contact us when using this product for any other applications than described in the above.

3. General

- 3.1 Out-Diameter : 42 mm
- 3.2 Height : 16 mm
- 3.3 Weight : 15 ±3g
- 3.4 Operating Temperature range:
-30~+80 °C without loss of function
- 3.5 Store Temperature range:
-40~+85 °C without loss of function

4. Electrical and Acoustic Characteristics.

Test condition : 15 ~ 35 °C, 25% ~ 85% RH, 860~1060 mbar

No	Items	Specification
1	Rated Voltage	12V DC
2	Working Voltage	5-28 DC
3	Max Rated Current	20mA/12VDC
4	Min Sound Pressure Level	90dB/12VDC/30cm
5	Resonant Frequency	2.8±0.5KHz
6	Tone Nature	Pulse Fast(2sound/1sec)+1Tone
7	Housing Material	PBT
8	Color	Black

Specification for Piezo Buzzer(Self-drive)

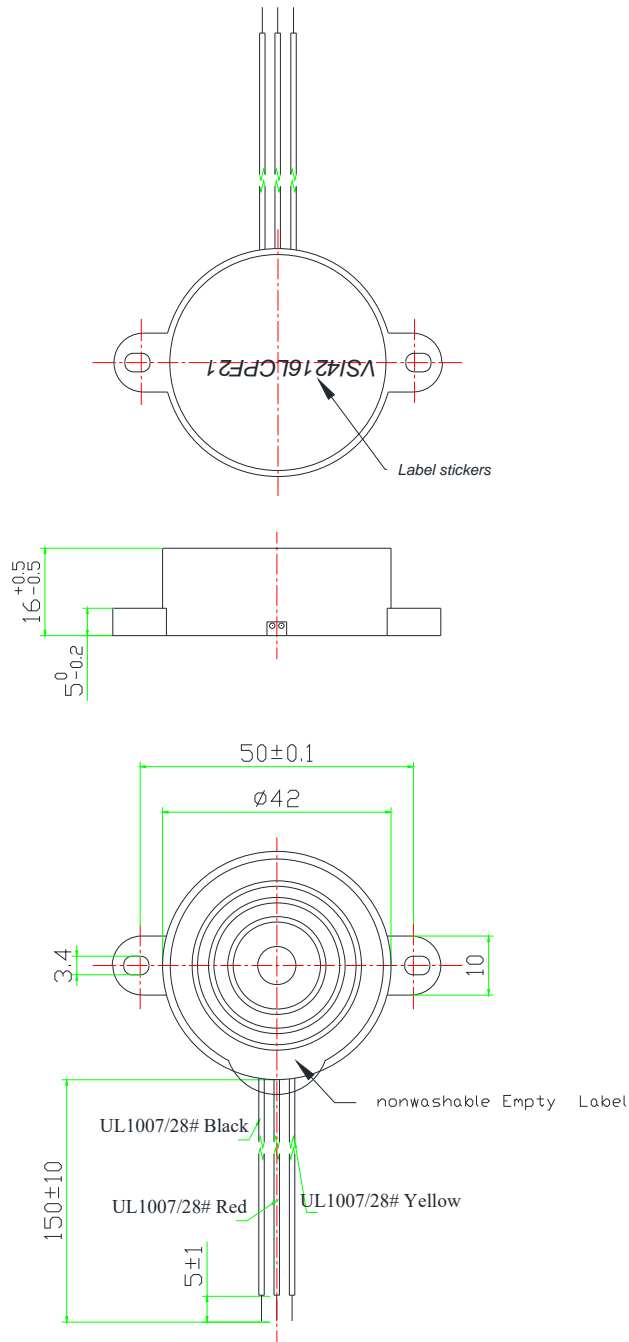
Page 4/5

Revision No. 1.0

Model No. : VSI4216LCPF21

Drawing No. VS20220803019

5. Dimensions



FIRST ANGLE PROJECTION

UNIT : mm
Tolerance : ± 1.5

Specification for Piezo Buzzer(Self-drive)	Page	5/5
	Revision No.	1.0
Model No. : VSI4216LCPF21	Drawing No.	VS20220803019

6. Packing

Each minimum package unit of products shall be in a carton box and it shall be clearly marked with Part Number ,quantity and outgoing inspection number.

There shall be no mechanical damage on products during in storage.