

SPECIFICATION

FOR APPROVAL

Customer : _____

Product Name : Piezo Buzzer(Self-drive)

Model Name : VSI4216L

Drawing No. : VS20190517010

Signature of Voice

| Approved by | Checkde by | Issued by | Date |
|-------------|------------|-----------|------|
| | | | |



福爱斯电子有限公司
VOISE ELECTRONICS CO.,LTD.

Office Add:Haoyangguang B-302# No.968 Baizhang Road,Ningbo China

Factory add: Shishan Industrial Park Moushan Town Yuyao City China

Tel:86-0574-87471601 Fax:86-0574-87471603 P.C.315000

Http://www.nbvoise.com E-mail:sales@nbvoise.com

Table of contents

- 1. Revision
- 2. Scope
- 3. General Characteristics
- 4. Electrical and Acoustic Characteristics.
- 5. Dimensions
- 6. Packing

1. Revision

| Rev.No. | Date | Page | Description of Revision |
|---------|-----------|------|-------------------------|
| 1.0 | 2019/5/17 | | Preliminary |
| | | | |
| | | | |
| | | | |
| | | | |
| | | | |
| | | | |
| | | | |
| | | | |
| | | | |
| | | | |
| | | | |
| | | | |
| | | | |
| | | | |
| | | | |

2. Scope

This specification is applied to the piezo buzzer used for sounder in alarm systems, Please contact us when using this product for any other applications than described in the above.

3. General

3.1 Out-Diameter : 42 mm

3.2 Height : 16 mm

3.3 Weight : 13 ±3g

3.4 Operating Temperature range:

-30~+80°C without loss of function

3.5 Store Temperature range:

-40~+85°C without loss of function

4. Electrical and Acoustic Characteristics.

Test condition : 15 ~ 35 °C, 25% ~ 85% RH, 860~1060 mbar

| No | Items | Specification |
|----|--------------------------|-----------------|
| 1 | Rated Voltage | 12V DC |
| 2 | Working Voltage | 9-16 DC |
| 3 | Max Rated Current | 15mA/12VDC |
| 4 | Min Sound Pressure Level | 98dB/12VDC/30cm |
| 5 | Resonant Frequency | 2.8±0.5KHz |
| 6 | Tone Nature | Continuous |
| 7 | Housing Material | PBT |
| 8 | Color | Black |

Specification for Piezo Buzzer(Self-drive)

Page

4/5

Revision No.

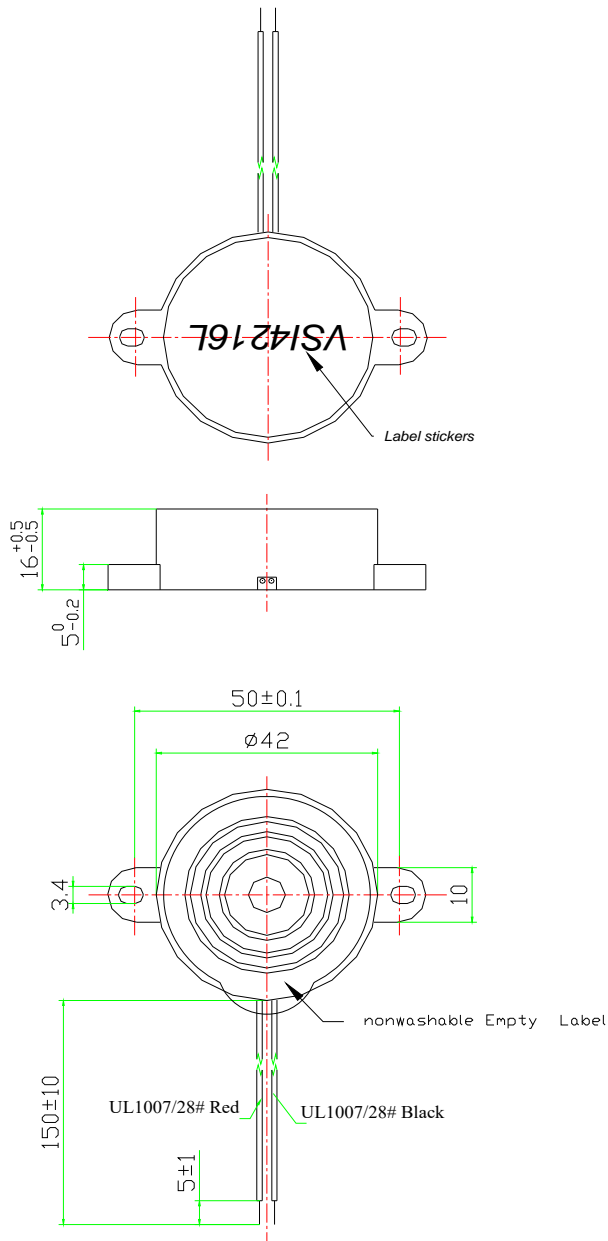
1.0

Model No. : VSI4216L

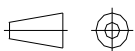
Drawing No.

VS20190517010

5. Dimensions



FIRST ANGLE PROJECTION



UNIT : mm

Tolerance : ± 1.5

| | | |
|--|--------------|---------------|
| Specification for Piezo Buzzer(Self-drive) | Page | 5/5 |
| | Revision No. | 1.0 |
| Model No. : VSI4216L | Drawing No. | VS20190517010 |

6. Packing

Each minimum package unit of products shall be in a carton box and it shall be clearly marked with Part Number ,quantity and outgoing inspection number.

There shall be no mechanical damage on products during in storage. .