

SPECIFICATION

FOR APPRONAL

Customer : _____

Product Name : Piezo Buzzer(Self-drive) _____

Model Name : VSI4026F30C _____

Drawing No. : VS20220506011 _____

Signature of Voise

Approved by	Checkde by	Issued by	Date



福爱斯电子有限公司
VOISE ELECTRONICS CO.,LTD.

Address:No 96 Mogao Dongqian Lake Industial Area ningbo,China,
Tel:0086-0574-87773030;Fax:0086-0574-87471600 P.C.315121
<http://www.nbvoise.com> Email:sales@nbvoise.com

Specification for Piezo Buzzer(Self-drive)

Page

3/5

Revision No.

1.0

Model No. : VSI4026F30C

Drawing No.

VS20220506011

2. Scope

This specification is applied to the siren used for sounder in alarm systems, Please contact us when using this product for any other applications than described in the above.

3. General

3.1 Out-Diameter : 40 mm

3.2 Height : 25.8 mm

3.3 Weight : 16 g

3.4 Operating Temperature range:

-20~+60°C without loss of function

3.5 Store Temperature range:

-30~+70°C without loss of function

4. Electrical and Acoustic Characteristics.

Test condition : 15 ~ 35 °C, 25% ~ 85% RH, 860~1060 mbar

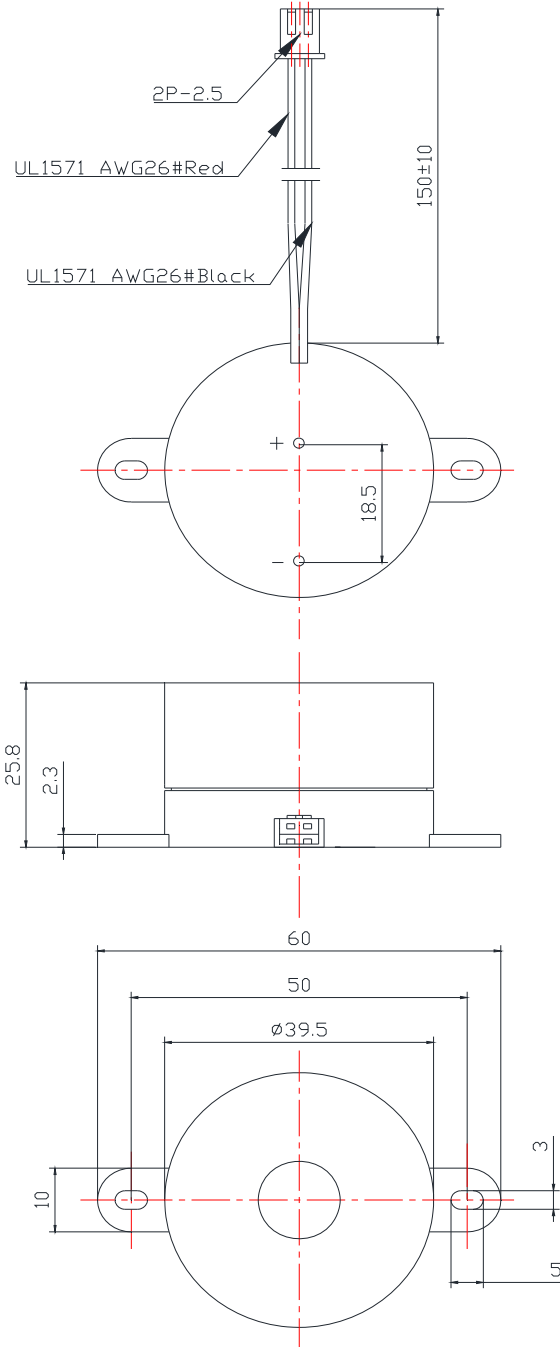
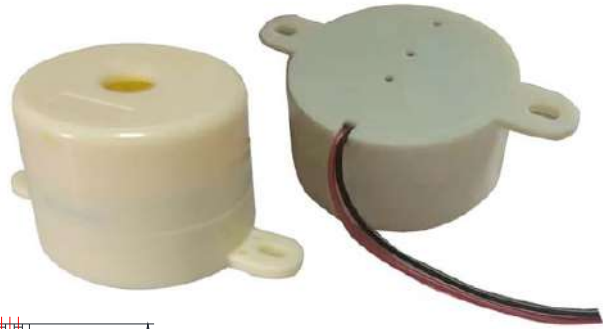
No	Items	Specification
1	Rated Voltage	12V DC
2	Working Voltage	3-24 DC
3	Max Rated Current	20mA/12VDC
4	Min Sound Pressure Level	100dB/12VDC/30cm
5	Resonant Frequency	3.0±0.5KHz
6	Tone Nature	Continuous
7	Housing Material	ABS
8	Color	Beige

Specification for Piezo Buzzer(Self-drive)

Page	4/5
Revision No.	1.0
Drawing No.	VS20220506011

Model No. : VSI4026F30C

5. Dimensions



FIRST ANGLE PROJECTION



UNIT : mm

Tolerance : ±1.5

Specification for Piezo Buzzer(Self-drive)	Page	5/5
	Revision No.	1.0
Model No. : VSI4026F30C	Drawing No.	VS20220506011

6. Packing

Each minimum package unit of products shall be in a carton box and it shall be clearly marked with Part Number ,quantity and outgoing inspection number.

There shall be no mechanical damage on products during in storage.