

# SPECIFICATION

## FOR APPRONAL

Customer : \_\_\_\_\_

Product Name : Piezo Buzzer(Self-drive) \_\_\_\_\_

Model Name : VSI3014L \_\_\_\_\_

Drawing No. : VS20220721017 \_\_\_\_\_

### Signature of Voice

Approved by	Checkde by	Issued by	Date

 **福爱斯电子有限公司**  
VOISE ELECTRONICS CO.,LTD.

Address:No 96 Mogao Dongqian Lake Industial Area ningbo,China,  
Tel:0086-0574-87773030;Fax:0086-0574-87471600 P.C.315121  
<http://www.nbvoise.com> Email:sales@nbvoise.com

**Table of contents**

- 1. Revision
- 2. Scope
- 3. General Characteristics
- 4. Electrical and Acoustic Characteristics.
- 5. Dimensions
- 6. Packing

**1. Revision**

Rev.No.	Date	Page	Description of Revision
1.0	2022/7/21		Preliminary

# Specification for Piezo Buzzer(Self-drive)

Page

3/5

Revision No.

1.0

Model No. : VSI3014L

Drawing No.

VS20220721017

## 2. Scope

This specification is applied to the piezo buzzer used for sounder in alarm systems, Please contact us when using this product for any other applications than described in the above.

## 3. General

3.1 Out-Diameter : 30 mm

3.2 Height : 14 mm

3.3 Weight : 8 ±1g

3.4 Operating Temperature range:

-20~+60°C without loss of function

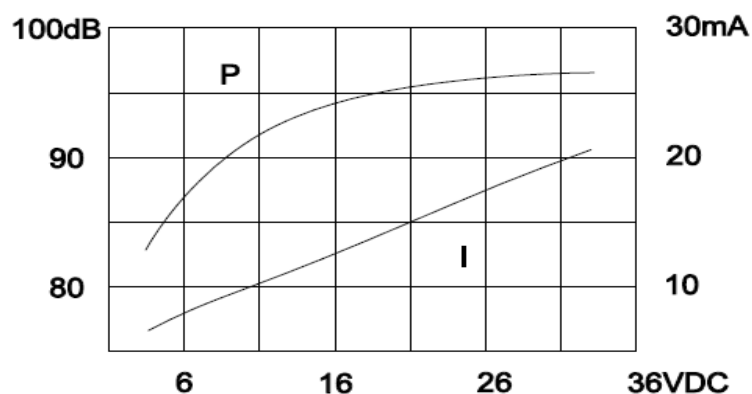
3.5 Store Temperature range:

-30~+70°C without loss of function

## 4. Electrical and Acoustic Characteristics.

Test condition : 15 ~ 35 °C, 25% ~ 85% RH, 860~1060 mbar

No	Items	Specification
1	Rated Voltage	12V DC
2	Working Voltage	3-30 V DC
3	Max Rated Current	15mA/12VDC
4	Min Sound Pressure Level	95dB/12VDC/30cm
5	Resonant Frequency	4.0±0.5KHz
6	Tone Nature	1-tone
7	Housing Material	ABS
8	Color	Black



# Specification for Piezo Buzzer(Self-drive)

Page

4/5

Revision No.

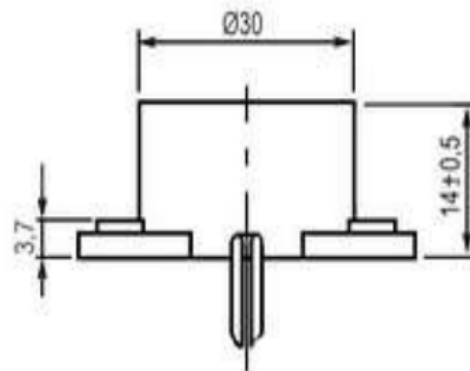
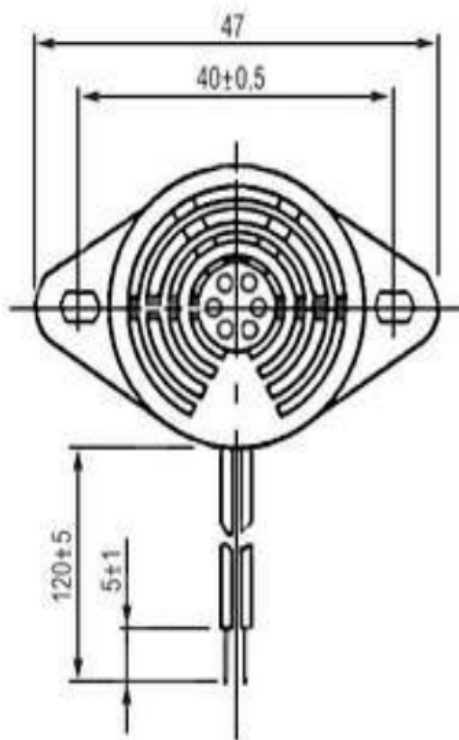
1.0

Model No. : VSI3014L

Drawing No.

VS20220721017

## 5. Dimensions



FIRST ANGLE PROJECTION

UNIT : mm

Tolerance : ±1.5