

# SPECIFICATION

## FOR APPRONAL

Customer : \_\_\_\_\_

Product Name : Piezo Buzzer(Self-drive)  
\_\_\_\_\_

Model Name : VSI2725L  
\_\_\_\_\_

Drawing No. : VS20191012011  
\_\_\_\_\_

### Signature of Voise

Approved by	Checkde by	Issued by	Date



**福爱斯电子有限公司**  
VOISE ELECTRONICS CO.,LTD.

Office Add:Haoyangguang B-302# No.968 Baizhang Road,Ningbo China

Factory add: Shishan Industrial Park Moushan Town Yuyao City China

Tel:86-0574-87471601 Fax:86-0574-87471603 P.C.315000

Http://www.nbvoise.com E-mail:sales@nbvoise.com

## Table of contents

1. Revision
2. Scope
3. General Characteristics
4. Electrical and Acoustic Characteristics.
5. Dimensions
6. Packing

### 1. Revision

Rev.No.	Date	Page	Description of Revision
1.0	2019/10/12		Preliminary

# Specification for Piezo Buzzer(Self-drive)

Page

3/5

Revision No.

1.0

Model No. : VSI2725L

Drawing No.

VS20191012011

## 2. Scope

This specification is applied to the piezo buzzer used for sounder in alarm systems, Please contact us when using this product for any other applications than described in the above.

## 3. General

3.1 Out-Diameter : 27 mm

3.2 Height : 25 mm

3.3 Weight : 30 ±1g

3.4 Operating Temperature range:

-20~+60°C without loss of function

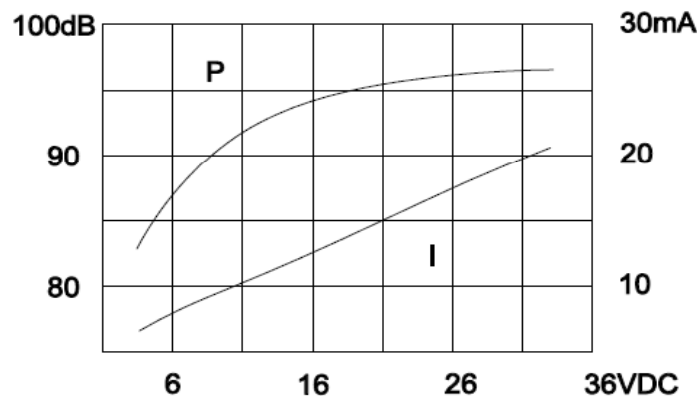
3.5 Store Temperature range:

-30~+70°C without loss of function

## 4. Electrical and Acoustic Characteristics.

Test condition : 15 ~ 35 °C, 25% ~ 85% RH, 860~1060 mbar

No	Items	Specification
1	Rated Voltage	12V DC
2	Working Voltage	6-30 V DC
3	Max Rated Current	50mA/12VDC
4	Min Sound Pressure Level	90dB/12VDC/30cm
5	Resonant Frequency	2.5±0.5KHz
6	Tone Nature	Pulse
7	Housing Material	ABS
8	Color	Black



Specification for Piezo Buzzer(Self-drive)

Page

4/5

Revision No.

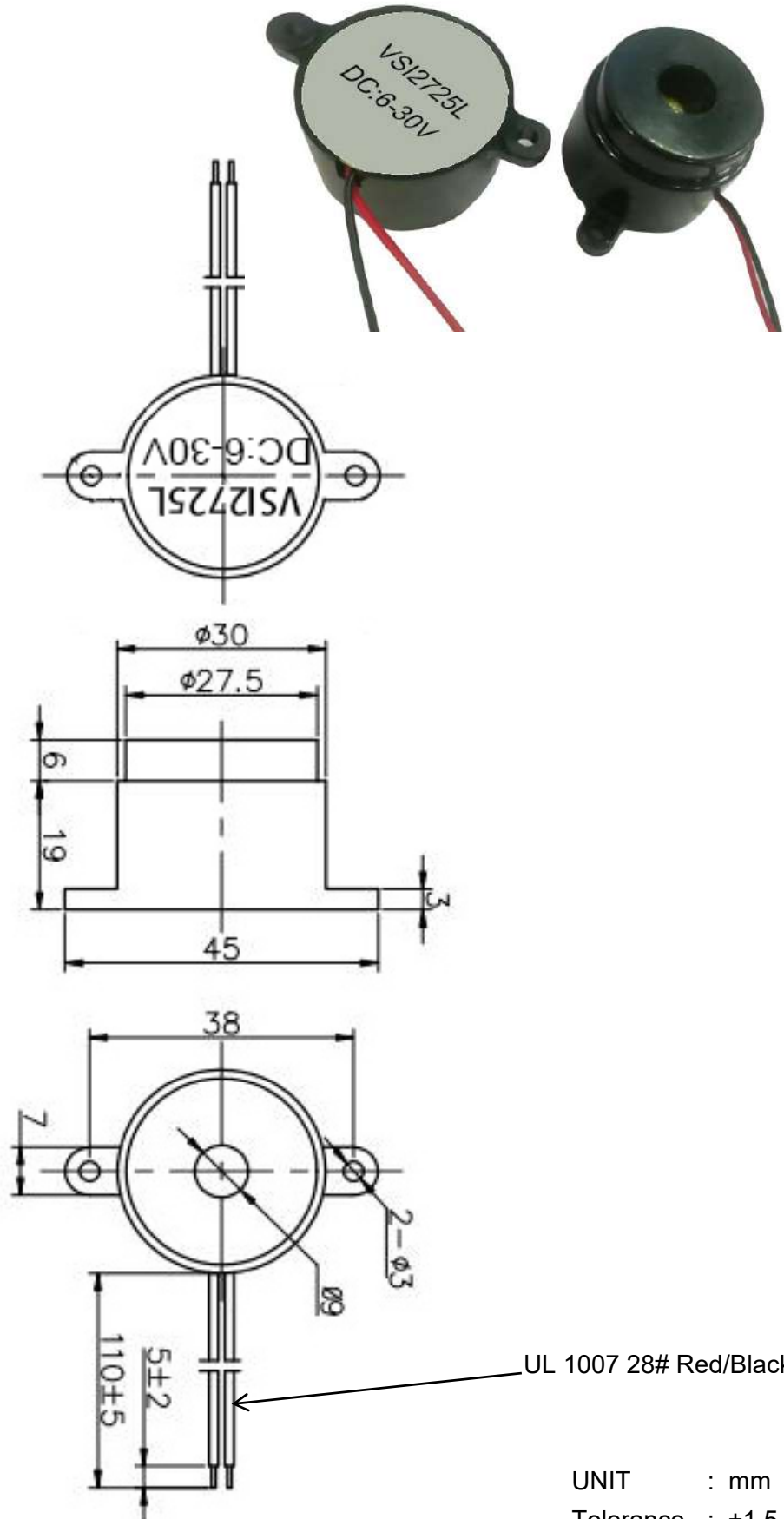
1.0

Model No. : VSI2725L

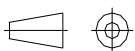
Drawing No.

VS20191012011

5. Dimensions



FIRST ANGLE PROJECTION



UNIT : mm

Tolerance :  $\pm 1.5$