



SPECIFICATION

FOR APPRONAL

Customer : _____

Product Name : Piezo Buzzer(Self-drive) _____

Model Name : VSI231912F33 _____

Drawing No. : VS20190616012 _____

Signature of Voise

Approved by	Checkde by	Issued by	Date



福爱斯电子有限公司
VOISE ELECTRONICS CO.,LTD.

Office Add:Haoyangguang B-302# No.968 Baizhang Road,Ningbo China
Factory add: Shishan Industrial Park Moushan Town Yuyao City China
Tel:86-0574-87471601 Fax:86-0574-87471603 P.C.315000
Http://www.nbvoise.com E-mail:sales@nbvoise.com



Specification for Piezo Buzzer		Page	2/5
		Revision No.	1.0
Model No.:	VSI231912F33	Drawing No.	VS20190616012

Table of contents

1. Revision
2. Scope
3. General Characteristics
4. Electrical and Acoustic Characteristics.
5. Dimensions
6. Packing

1. Revision

Rev.No.	Date	Page	Description of Revision
1.0	2019/5/4		Preliminary



Specification for Piezo Buzzer		Page	3/5
		Revision No.	1.0
Model No.:	VSI231912F33	Drawing No.	VS20190616012

2. Scope

This product specification is applied to the piezo Buzzer in alarm systems. Please contact us when using this product for any other applications than described in the above.

3. General Characteristics

- 3.1 Out-Diameter : 23 mm
- 3.2 Height : 19 mm
- 3.3 Weight : 8 g
- 3.4 Operating Temperature : -20~+60°C without loss of function
- 3.5 Store Temperature : -30~+70°C without loss of function

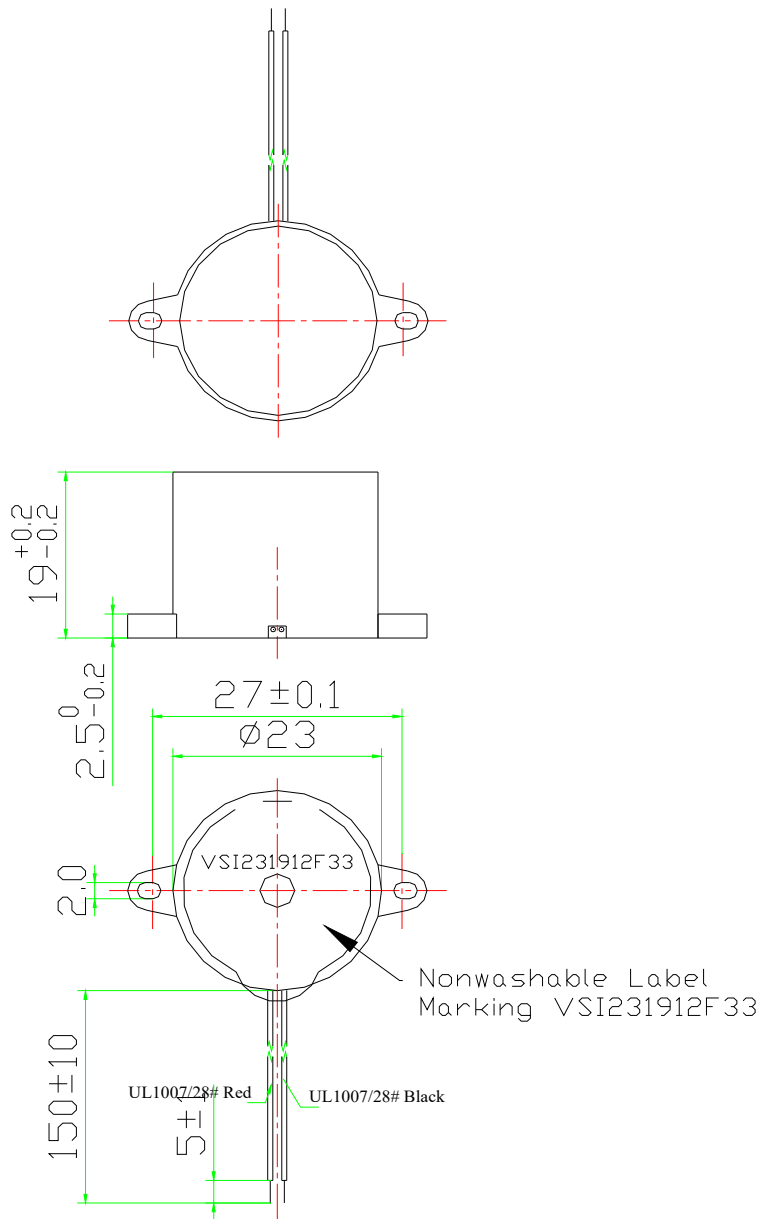
4. Electrical and Acoustic Characteristics.

Test condition : 15 ~ 35 °C Temp., 25% ~ 75% RH, 86~106 kPa Refer to IEC60268-1

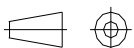
No	Items	Specification
1	Rated Voltage	12V DC
2	Working Voltage	8-15V DC
3	Max Rated Current	15mA/12VDC
4	Min Sound Pressure Level	90dB/12VDC/30cm
5	Resonant Frequency	3.3±0.5KHz
6	Tone Nature	Continuous
7	Housing Material	ABS
8	Color	Black

Specification for Piezo Buzzer		Page	4/5
		Revision No.	1.0
Model No.:	VSI231912F33	Drawing No.	VS20190616012

5. Dimensions



FIRST ANGLE PROJECTION



UNIT : mm
Tolerance : ± 0.2



Specification for Piezo Buzzer		Page	5/5
		Revision No.	1.0
Model No.:	VSI231912F33	Drawing No.	VS20190616012

6. Packing

Each minimum package unit of products shall be in a carton box and it shall be clearly marked with Part Number ,quantity and outgoing inspection number.

There shall be no mechanical damage on products during in storage.