

# SPECIFICATION

## FOR APPRONAL

Customer : \_\_\_\_\_

Product Name : Piezo Buzzer  
\_\_\_\_\_

Model Name : VSI2312F35L150  
\_\_\_\_\_

Drawing No. : VS20220208013  
\_\_\_\_\_

### Signature of Voise

Approved by	Checkde by	Issued by	Date

 福爱斯电子有限公司  
VOISE ELECTRONICS CO.,LTD.

Address:No 96 Mogao Dongqian Lake Industrial Area ningbo,China,  
Tel:0086-0574-87773030;Fax:0086-0574-87471600 P.C.315121  
<http://www.nbvoise.com> Email:sales@nbvoise.com

Specification for piezo buzzer		Page	2/3
		Revision No.	1.0
Model No.:	VS12312F35L150	Drawing No.	VS20220208013

## 1. Scope

This product specification is applied to the Piezo Buzzer in alarm systems. Please contact us when using this product for any other applications than described in the above.

## 2. General Characteristics

- 3.1 Out-Diameter : 23 mm
- 3.2 Height : 12 mm
- 3.3 Weight : 3.5 g
- 3.4 Operating Temperature : -20~+60°C without loss of function
- 3.5 Store Temperature : -30~+70°C without loss of function

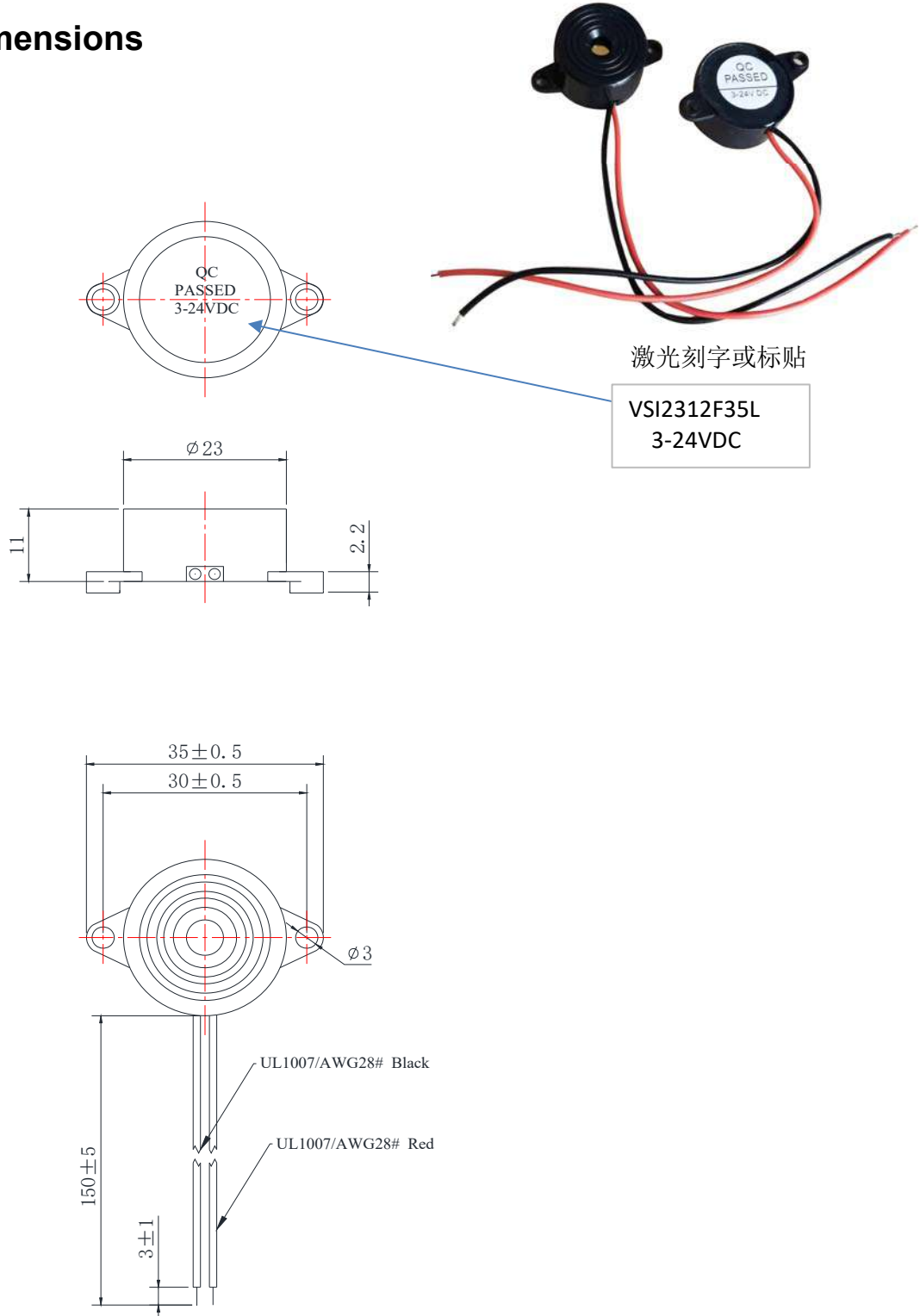
## 3. Electrical and Acoustic Characteristics.

Test condition : 15 ~ 35 °C Temp., 25% ~ 75% RH, 86~106 kPa Refer to IEC60268-1

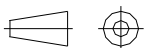
No	Items	Specification
1	Rated Voltage	12V DC
2	Working Voltage	3-24V DC
3	Max Rated Current	10mA/12VDC
4	Min Sound Pressure Level	85dB,90dB,95dB,100dB/3V,6V,12V,24VDC/30cm;
5	Resonant Frequency	3.5±0.5KHz
6	Tone Nature	Continuous
7	Housing Material	ABS
8	Color	Black

Specification for piezo buzzer		Page	6/7
		Revision No.	1.0
Model No.:	VSI2312F35L150	Drawing No.	VS20220208013

### 4. Dimensions



FIRST ANGLE PROJECTION



UNIT : mm

Tolerance :  $\pm 0.2$