

SPECIFICATION

FOR APPRONAL

Customer : _____

Product Name : Horn Speaker _____

Model Name : VSH-86T-4 _____

Drawing No. : VS20211209010 _____

Signature of Voise

Approved by	Checkde by	Issued by	Date



Office Add:Haoyangguang B-302# No.968 Baizhang Road,Ningbo China
Factory add: Shishan Industrial Park Moushan Town Yuyao City China
Tel:86-0574-87471601 Fax:86-0574-87471603 P.C.315000
Http://www.nbvoise.com E-mail:sales@nbvoise.com

Specification for Horn Speaker		Page	3/5
		Revision No.	1.0
Model No.:	VSH-86T-4	Drawing No.	VS20211209010

2. Scope

This product specification is applied to the Siren in alarm systems. Please contact us when using this product for any other applications than described in the above.

3. General Characteristics

- 3.1 Out-Diameter : 105x86 mm
- 3.2 Height : 102 mm
- 3.3 Weight : 360 g
- 3.4 Operating Temperature : -20~+60°C without loss of function
- 3.5 Store Temperature : -30~+70°C without loss of function

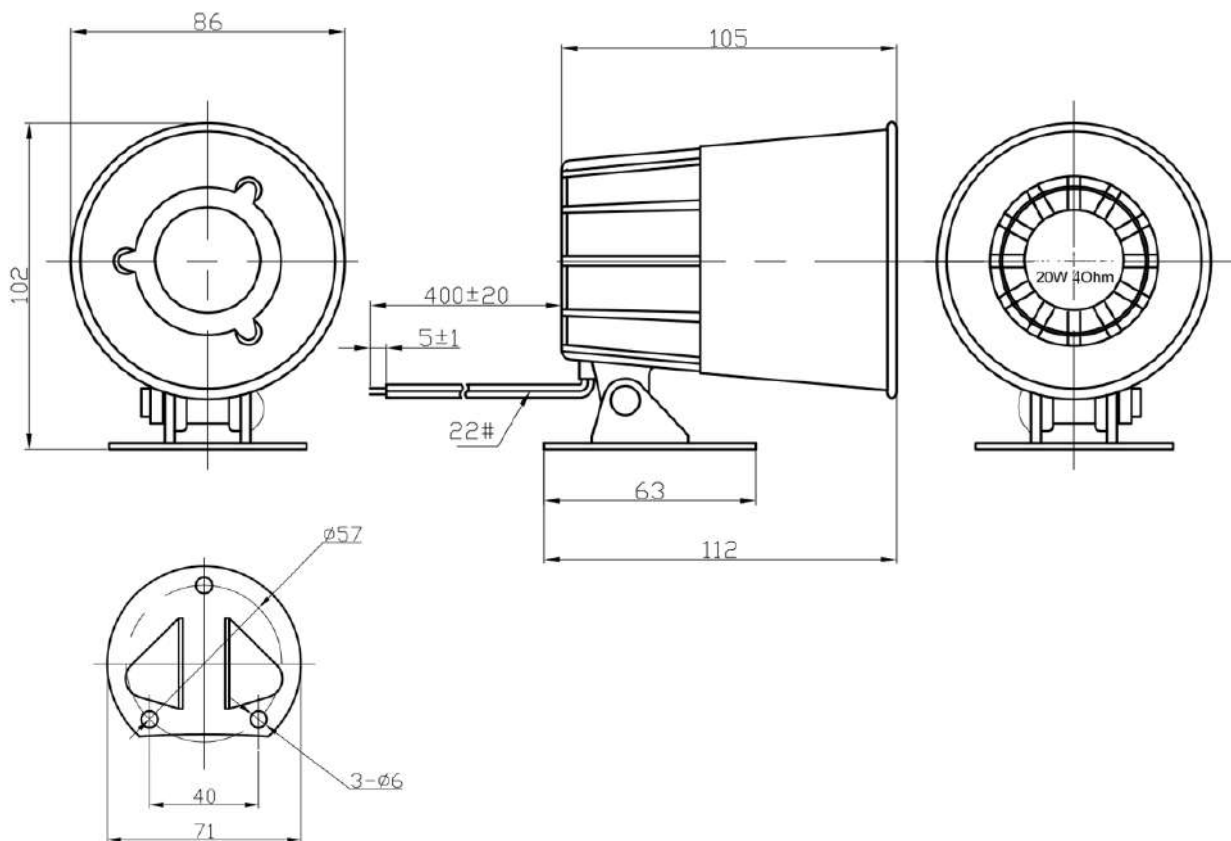
4. Electrical and Acoustic Characteristics.

Test condition : 15 ~ 35 °C Temp., 25% ~ 75% RH, 86~106 kPa Refer to IEC60268-1

No	Items	Specification
1	Rated Rating RMS	20W
2	Power Rating Peak	25W
3	Sound Preesure Level	102dB ±2dB at 1M/2.83V 1kHz
4	Resonant Frequency	0.9kHz±20%
5	Rated Frequency Range	200-10000Hz
6	Voice Coil Impedance	4Ω±15% 1Vrms at 2kHz
7	Voice Coil Size	Ø25.4mm
8	Housing Material/Color	ABS/Black
9	Magnet Size	Ø60xØ32x10mm; Ferrite
10	Housing Material/Color	ABS/Black
11	Waterproof	IP43

Specification for Horn Speaker		Page	4/5
		Revision No.	1.0
Model No.:	VSH-86T-4	Drawing No.	VS20211209010

5. Dimensions



FIRST ANGLE PROJECTION



UNIT : mm

Tolerance : ±0.2

Specification for Horn Speaker		Page	5/5
		Revision No.	1.0
Model No.:	VSH-86T-4	Drawing No.	VS20211209010

6. Packing

Each minimum package unit of products shall be in a carton box and it shall be clearly marked with Part Number ,quantity and outgoing inspection number.

There shall be no mechanical damage on products during in storage.