

SPECIFICATION

FOR APPRONAL

Customer : _____

Product Name : Horn Speaker _____

Model Name : VSH-8080R4F14L _____

Drawing No. : VS20191014012 _____

Signature of Voise

Approved by	Checkde by	Issued by	Date



Office Add:Haoyangguang B-302# No.968 Baizhang Road,Ningbo China
Factory add: Shishan Industrial Park Moushan Town Yuyao City China
Tel:86-0574-87471601 Fax:86-0574-87471600 P.C.315040
Http://www.nbvoise.com E-mail:sales@nbvoise.com

Specification for Horn Speaker		Page	3/7
Model No.:	VSH-8080R4F14L	Revision No.	1.0
		Drawing No.	VS20191014012

2. Scope

This document contains required environmental, electrical, acoustic, mechanical, package and reliability test requirement

3. General Characteristics

- 2.1 Out-Diameter : 80x80 mm
- 2.2 Height : 53 mm
- 2.3 Weight : 450 g
- 2.4 Operating Temperature : -30~+60°C without loss of function
- 2.5 Store Temperature : -30~+70°C without loss of function

4. Electrical and Acoustic Characteristics.

Test condition : 15 ~ 35 °C Temp., 25% ~ 75% RH, 86~106 kPa Refer to IEC60268-1

No	Items	Specification
1	Impedance	4 Ω ± 15% (1Vrms at 2KHz)
2	Min Sound Pressure Level	105 dB at 1M/1W
3	Resonance Frequency(fo)	1.4k Hz ± 10% at 1V
4	Frequency Range	fo ~4KHz
5	Input Power	Rated 15 W / Max. 20 W
6	Distortion	Less than 5% at 2kHz 1.0W
7	Voice Coil Size	Dia Ø25.4mm
8	Magnet Size	Ø70xØ32x10mm
9	Case Material/Color	ABS/Black

Specification for Horn Speaker		Page	4/7
		Revision No.	1.0
Model No.:	VSH-8080R4F14L	Drawing No.	VS20191014012

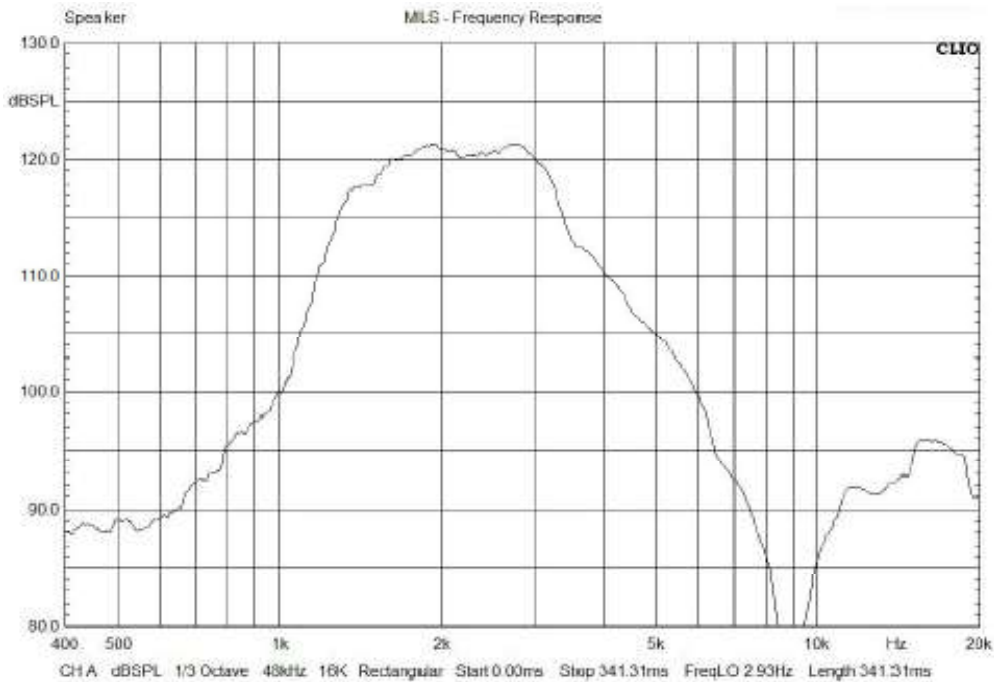
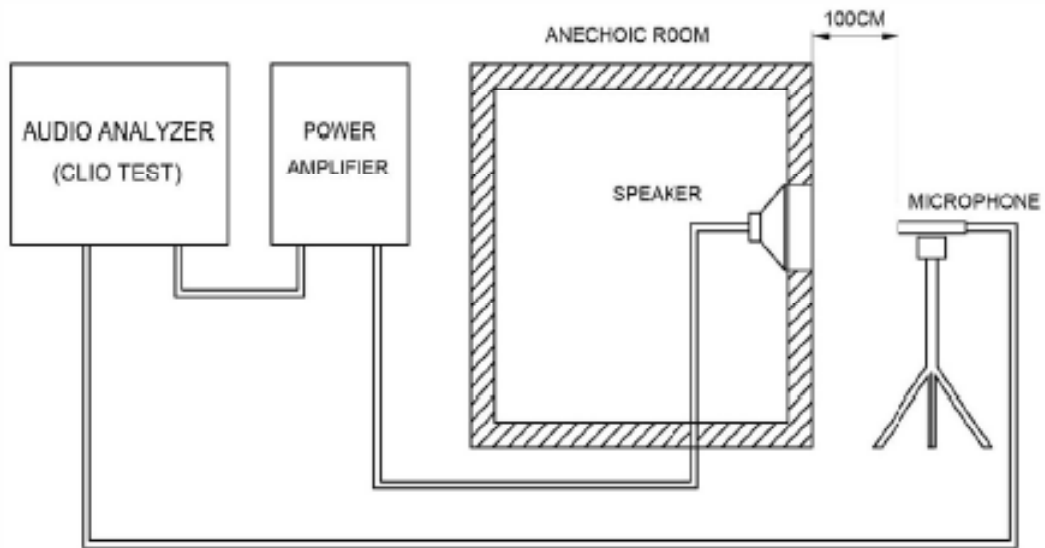
5. Reliability Test

After test(1~7item), the speaker S.P.L . difference shall be within $\pm 3\text{dB}$, and the appearance not exist any change to be harmful to normal operation

No	Items	Specification
1	High Temp.Test	Keep 2 hours at $+60\pm 3\text{ }^\circ\text{C}$,and leave 2 hours in normal temperature and then check.
2	Low Temp.Test	Keep 2 hours at $-30\pm 3\text{ }^\circ\text{C}$,and leave 2 hours in normal temperature and then check.
3	Humidity Test	Keep 2 hours at $-30\pm 3\text{ }^\circ\text{C}$,relative humidity 85 to 90% and leave 2 hours in normal temperature and then check.
4	Thermal Shock Test	Each temperature cycle shall consist of 2 hours at $+25\pm 3\text{ }^\circ\text{C}$ followed by 2hours at $+60\pm 3\text{ }^\circ\text{C}$,and followed by 2hours at $-30\pm 3\text{ }^\circ\text{C}$ with a 20 to 40 minutes transition time between each 2 temperature extremes. The test duration is for 5 cycle.
5	Vibration Test	Being applied vibration of amplitude of 1.5mm with 10-30-10Hz band of vibration frequency,X.Y.Z.3 direction.2 hours each, total 6 hours.
6	Drop Test	Free drop fram 0.5 meter height to a board 20mm thick hard wood board. and be nothing mechanical damage. tatol 6 times.

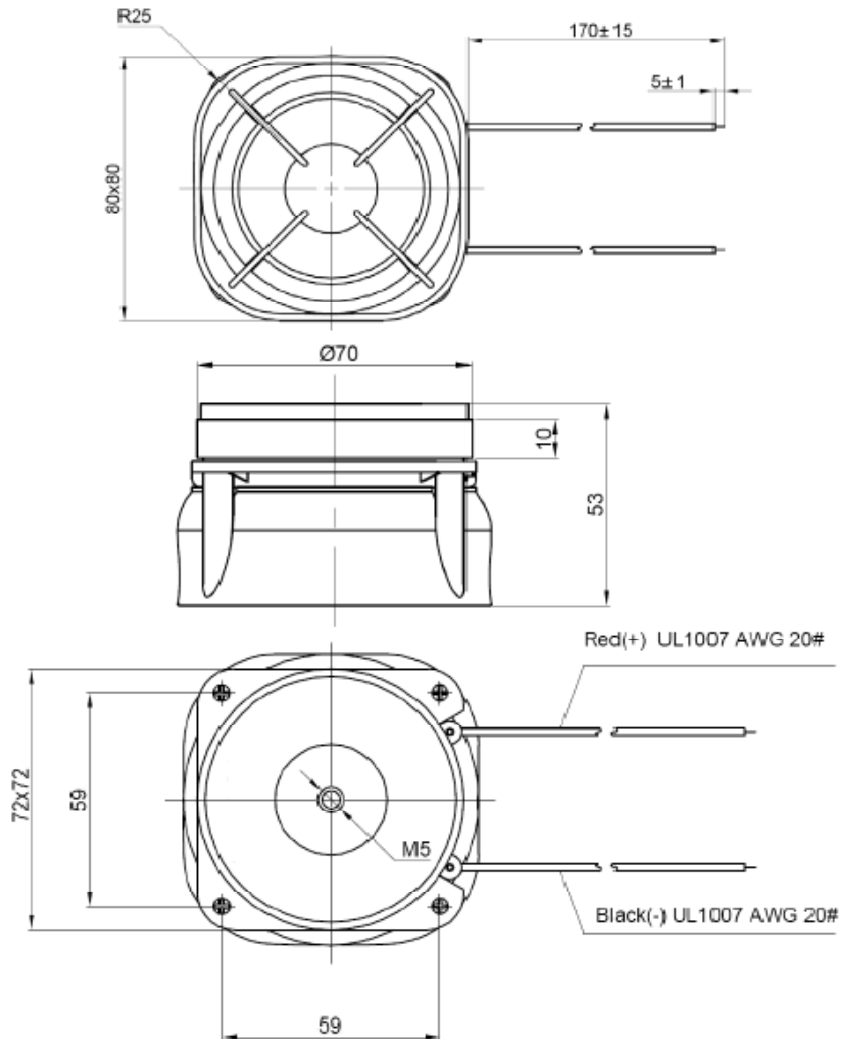
Specification for Horn Speaker		Page	5/7
		Revision No.	1.0
Model No.:	VSH-8080R4F14L	Drawing No.	VS20191014012

6. Measurement Method & Frequency Response curve



Specification for Horn Speaker		Page	6/7
		Revision No.	1.0
Model No.:	VSH-8080R4F14L	Drawing No.	VS20191014012

7. Dimensions

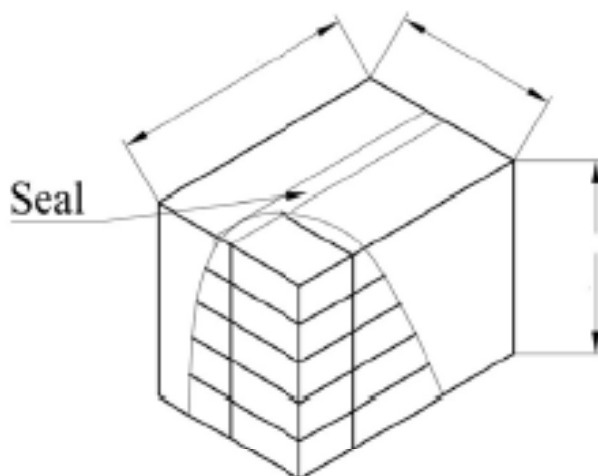
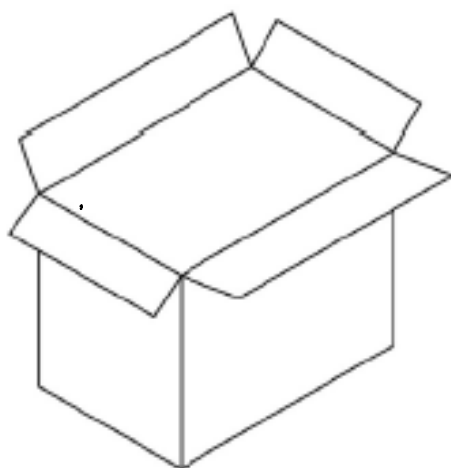


FIRST ANGLE PROJECTION

UNIT : mm
 Tolerance : ± 0.2

Specification for Horn Speaker		Page	7/7
		Revision No.	1.0
Model No.:	VSH-8080R4F14L	Drawing No.	VS20191014012

8. Packing



MEAS: 440X185X185MM

One Carton: 30 pcs