

# SPECIFICATION

## FOR APPRONAL

Customer : \_\_\_\_\_

Product Name : Horn speaker  
\_\_\_\_\_

Model Name : VSH-60R4F14P10  
\_\_\_\_\_

Drawing No. : VS20221128012  
\_\_\_\_\_

### Signature of Voice

| Approved by | Checkde by | Issued by | Date |
|-------------|------------|-----------|------|
|             |            |           |      |

 **福爱斯电子有限公司**  
VOISE ELECTRONICS CO.,LTD.

Address:No 96 Mogao Dongqian Lake Industial Area ningbo,China,  
Tel:0086-0574-87773030;Fax:0086-0574-87471600 P.C.315121  
<http://www.nbvoise.com> Email:sales@nbvoise.com

|                                       |              |               |
|---------------------------------------|--------------|---------------|
| <b>Specification for Horn speaker</b> | Page         | 2/3           |
|                                       | Revision No. | 1.0           |
| Model No. : VSH-60R4F14P10            | Drawing No.  | VS20221128012 |

## 2. Scope

This specification is applied to the Horn speaker used for sounder in alarm systems, Please contact us when using this product for any other applications than described in the above.

## 3. General

- 2.1 Out-Diameter : 60 mm
- 2.2 Height : 38 mm
- 2.3 Weight : 110 ±10g
- 2.4 Operating Temperature range:  
-20~+70°C without loss of function
- 2.5 Store Temperature range:  
-30~+80°C without loss of function

## 4. Electrical and Acoustic Characteristics.

Test condition : 15 ~ 35 °C, 25% ~ 85% RH, 860~1060 mbar

| No | Items                    | Specification  |
|----|--------------------------|----------------|
| 1  | Power rating RMS         | 10W            |
| 2  | Power rating Peak        | 15W            |
| 3  | Min Sound pressure Level | 98 dB at 1M/1W |
| 4  | Resonant Frequency       | 1.4kHz±10%     |
| 5  | Rated Frequency Range    | F0-4000Hz      |
| 6  | Case Material/Color      | Nylon/Black    |
| 7  | Voice Coil               | Dia 25.4mm     |
| 8  | Voice Coil Impedance     | 4 ohm          |
| 9  | Magnet size              | Dia 24.5x3.5   |

# Specification for Horn speaker

Page

3/3

Revision No.

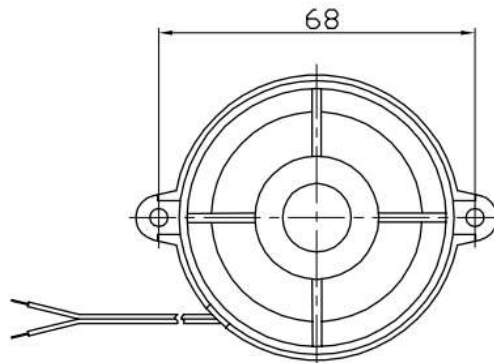
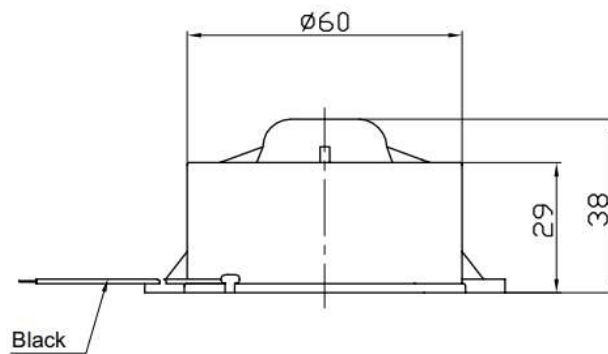
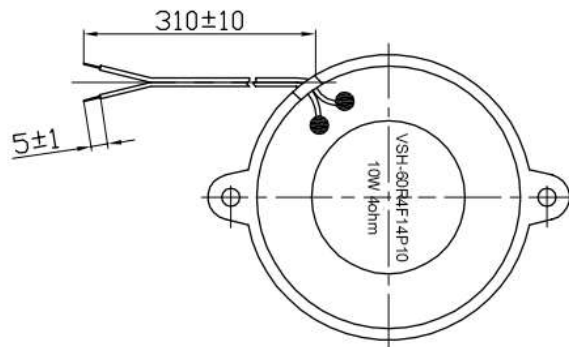
1.0

Model No. : VSH-60R4F14P10

Drawing No.

VS20221128012

## 5. Dimensions



FIRST ANGLE PROJECTION



UNIT : mm

Tolerance : ±1.5