

SPECIFICATION

FOR APPRONAL

Customer : _____

Product Name : Receiver _____

Model Name : VSDR153BL90 _____

Drawing No. : VS20230209018 _____

Signature of Voise

Approved by	Checkde by	Issued by	Date

Voise 福爱斯电子有限公司
ELECTRONIC VOISE ELECTRONICS CO.,LTD.

Address:No 96 Mogao Dongqian Lake Industrial Area ningbo, China,
Tel:0086-0574-87773030;Fax:0086-0574-87471600 P.C.315121
<http://www.nbvoise.com> Email:sales@nbvoise.com

Specification for Receiver		Page	2/7
		Revision No.	1.0
Model No.:	VSDR153BL90	Drawing No.	VS20230209018

Table of contents

1. Revision
2. Scope
3. General Characteristics
4. Electrical and Acoustic Characteristics.
5. Reliability Test
6. Measurement Method & Frequency Response curve
7. Dimensions
8. Packing

1. Revision

Rev.No.	Date	Page	Description of Revision
1.0	2023/2/9		Preliminary

Specification for Receiver		Page	3/7
Model No.:	VSDR153BL90	Revision No.	1.0
		Drawing No.	VS20230209018

2. Scope

This specification covers a dynamic receiver unit for phone use.

3. General Characteristics

- 2.1 Out-Diameter : 28 mm
- 2.2 Height : 7.2 mm
- 2.3 Weight : 18 g
- 2.4 Operating Temperature : -20~+50°C without loss of function
- 2.5 Store Temperature : -20~+60°C without loss of function

4. Electrical and Acoustic Characteristics.

Test condition : 15 ~ 35 °C Temp., 25% ~ 75% RH, 86~106 kPa Refer to IEC60268-1

No	Items	Specification
1	Impedance	150 Ω ± 20% (1Vrms at 1.0KHz)
2	Sound Pressure Level	95 dB ± 2dB (60mV at 1kHz)
3	Resonance Frequency(fo)	
4	Frequency Range	300Hz ~3.4KHz
5	Input Power	Rated 5 mW / Max. 15 mW
6	Distortion	Less than 5% at 1kHz/2Vrms
7	Buzz and Rattle	Should not be audible buzzes,rattles when the 0.87V sine wave signal swept at frequency range.

Specification for Receiver		Page	4/7
Model No.:	VSDR153BL90	Revision No.	1.0
		Drawing No.	VS20230209018

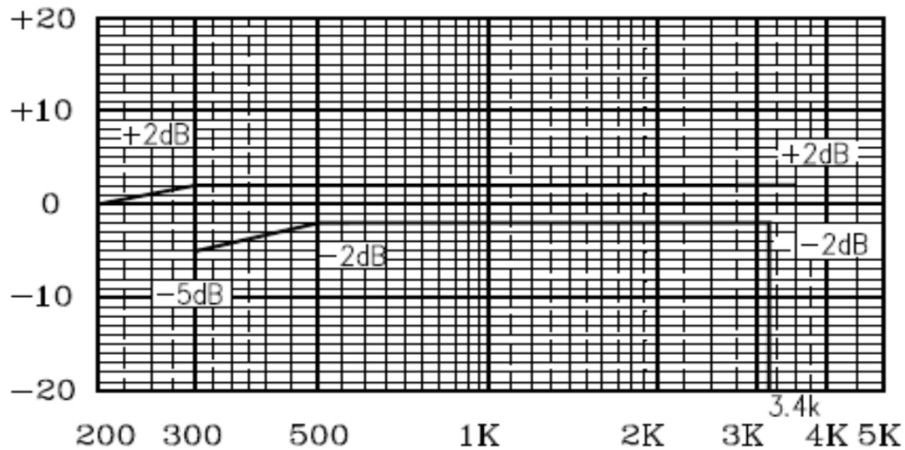
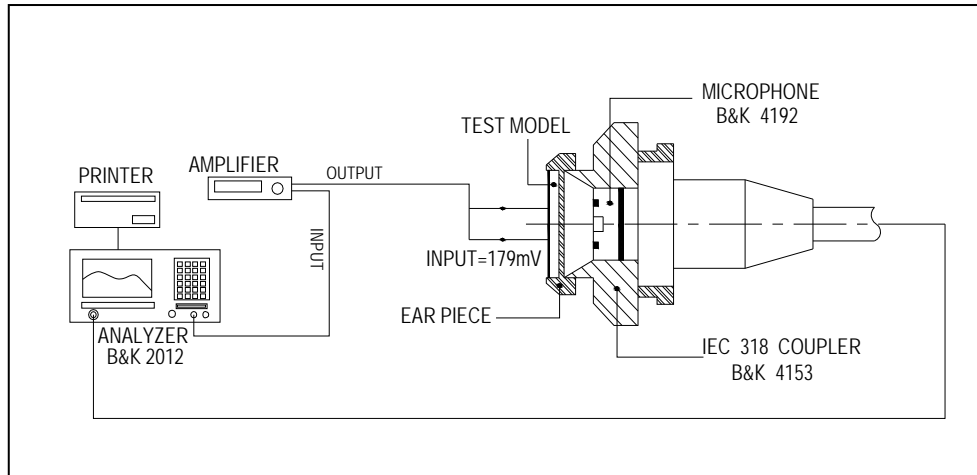
5. Reliability Test

After test(1~7item), the speaker S.P.L . difference shall be within $\pm 3\text{dB}$, and the appearance not exist any change to be harmful to normal operation

No	Items	Specification
1	High Temp.Test	Keep 96 hours at $+65\pm 3\text{ }^\circ\text{C}$,and leave 1 houres in normal temperature and then check.
2	Low Temp.Test	Keep 96 hours at $-25\pm 3\text{ }^\circ\text{C}$,and leave 1 houres in normal temperature and then check.
3	Humidity Test	Keep 96 hours at $-40\pm 3\text{ }^\circ\text{C}$,relative humidity 85 to 90% and leave 1 houres in normal temperature and then check.
4	Thermal Shock Test	Each temperature cycle shall consist of 2 hours at $+25\pm 3\text{ }^\circ\text{C}$ followed by 2hours at $+60\pm 3\text{ }^\circ\text{C}$,and followed by 2hours at $-20\pm 3\text{ }^\circ\text{C}$ with a 20 to 40 minutes transition time between each 2 temperature extremes. The test duration is for 2 cycle.
5	Vibration Test	Being applied vibration of amplitude of 1.5mm with 10-55-10Hz band of vibration frequency,X.Y.Z.3 direction.2 hours each, total 6 hours.
6	Drop Test	Free drop fram 1.0 meter height to a board 20mm thick hard wood board. and be nothing mechanical damage. tatol 6 times.
7	Load test	Loading white noise with input rate power for 24 hours, then placed in natural condition for 1 hour and then check.
8	Insulation test	When they are measured with DC 100V the insulation resistance between v.c. terminal and frame must be more than $1\text{ M}\Omega$

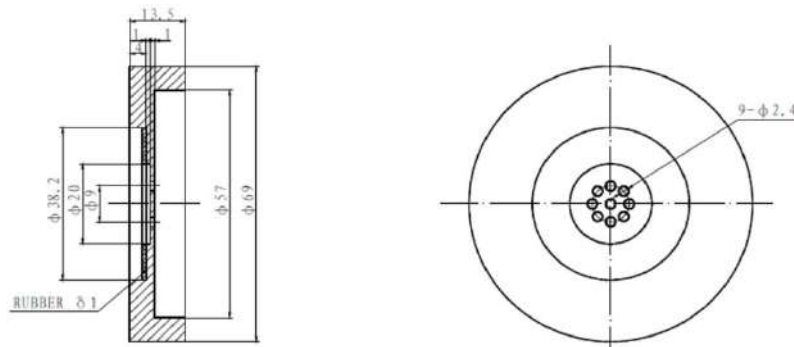
Specification for Receiver		Page	5/7
Model No.:	VSDR153BL90	Revision No.	1.0
		Drawing No.	VS20230209018

6. Measurement Method & Frequency Response curve



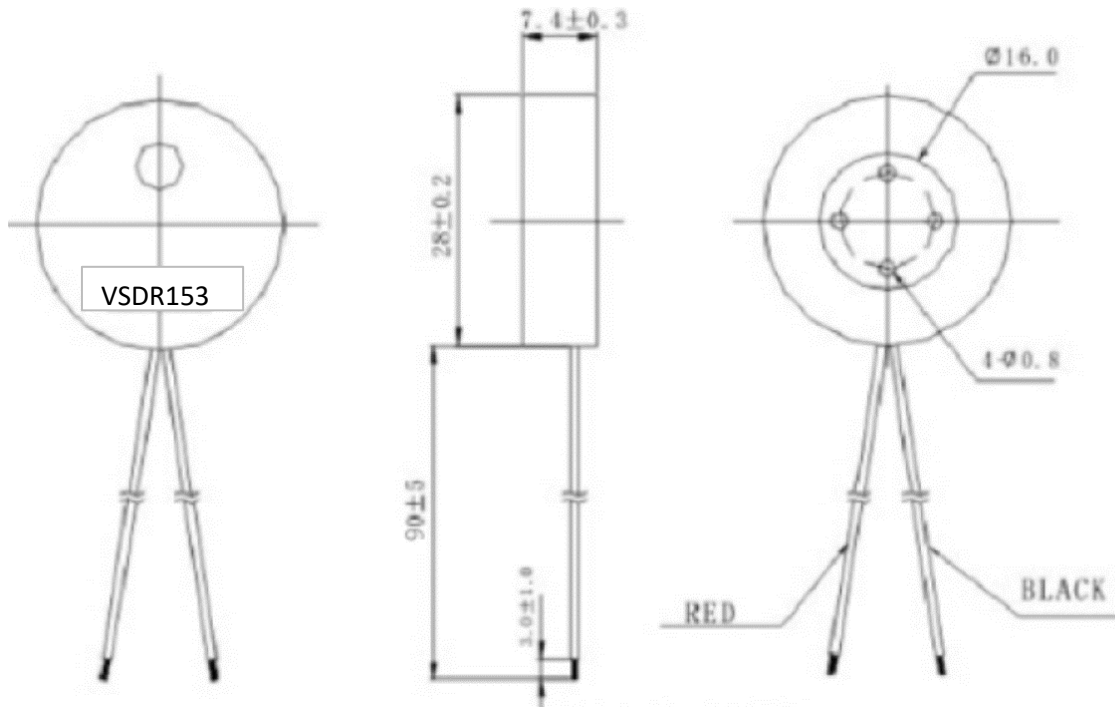
Brüel & Kjær 

Earpiece



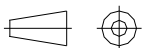
Specification for Receiver		Page	6/7
		Revision No.	1.0
Model No.:	VSDR153BL90	Drawing No.	VS20230209018

7. Dimensions



UL1571 AWG28#

FIRST ANGLE PROJECTION

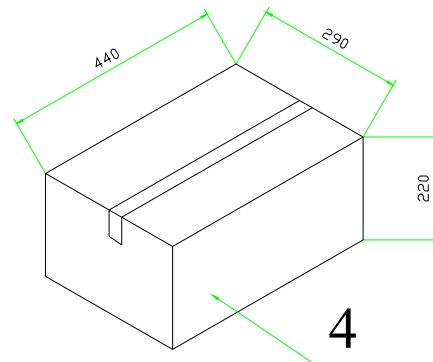
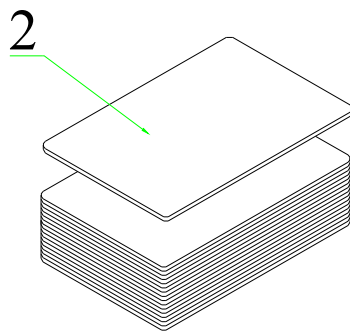
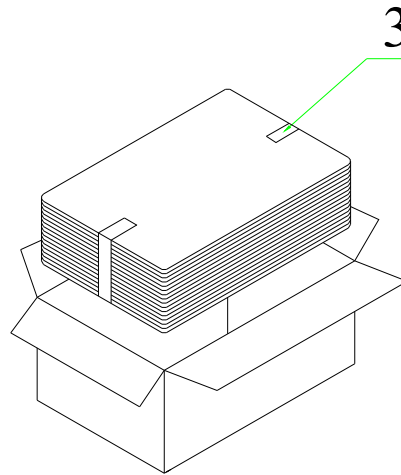
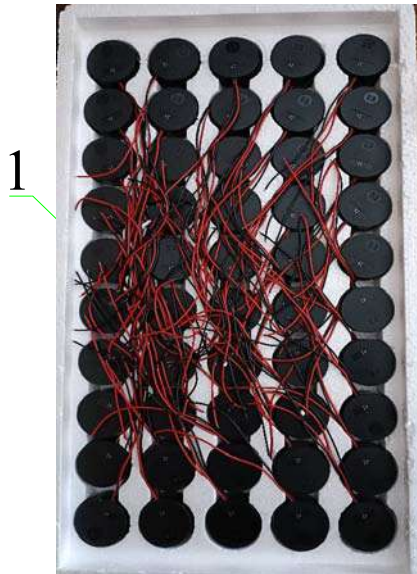


UNIT : mm

Tolerance: ±0.2

Specification for Receiver		Page	7/7
		Revision No.	1.0
Model No.:	VSDR153BL90	Drawing No.	VS20230209018

8. Packing



QTY: 2000Pcs
440 x290 x220