

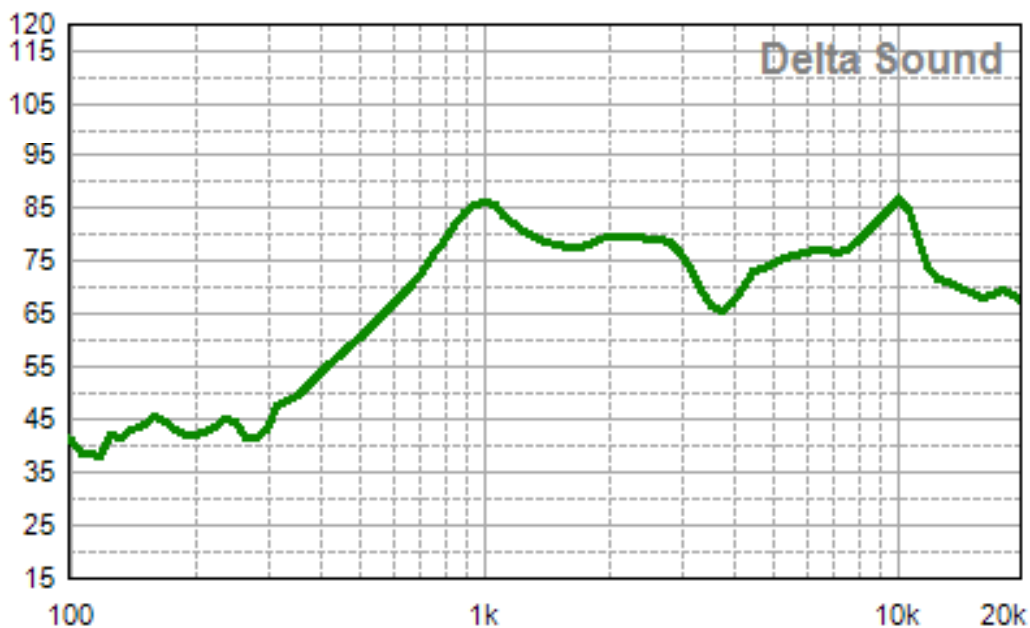
Specification for Speaker

Model No.	VSB57X23R4P3	Drawing No.	VS20200703011
Customer			

SPEC

NO.	Items	Specification	Test Condition
1	Impedance	4Ω±15%	at 1Vrms,2kHz
2	Resonant Fr. (fo)	900Hz±20%	
3	Frequency Range	f0-10KHz	
4	Rated Power	3W	
5	Max Power	4W	
6	S.P.L.	80dB±3dB	(0.1W/0.1M at 0.8,1.0,1.2,1.5kHz Ave)
7	Distortion	<5% Max.	at 2kHz/2Vrms
8	Sweep Test	must be normal	at sine wave 4V
9	Load Test	after test meet item 8	rated white noise power, 96 Hrs.
10	Heat Test	after test meet item 8	+70±2°C 20~50% 96Hrs.
11	Cold Test	after test meet item 8	-30±3°C 96Hrs.
12	Humidity Test	after test meet item 8	+40±2°C,90~95% 96Hrs.
13	Weight	14±5%g	
14	Polarity Test	with positive D.C. voltage to (+) terminal, the cone shall move forward.	
15	Note		

Frequency Response Curve



Specification for Speaker

Model No. VSB57X23R4P3

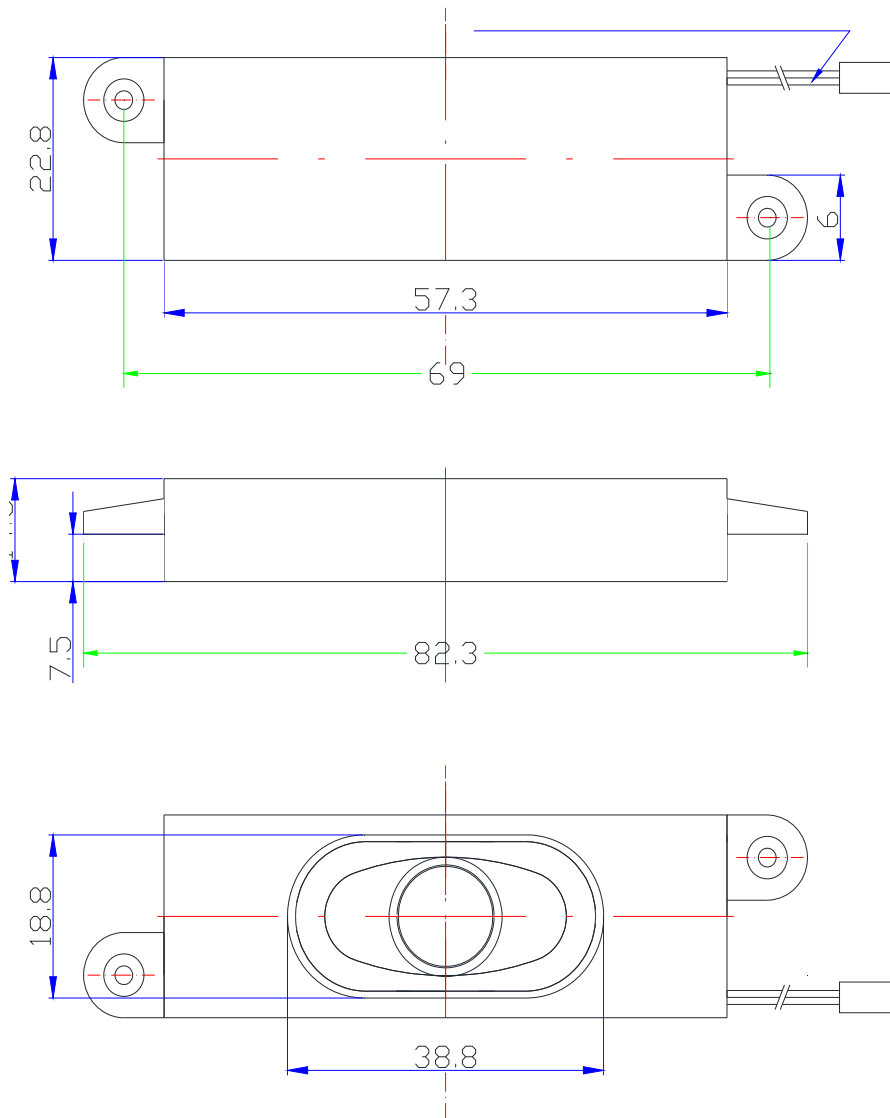
Drawing No.

VS20200703011

Dimensions:



White/BLACK(UL1571 AWG#30) L=62r
Connector 2Pin-2.54(female-6x4.3)



Unit : mm

Tolerance : ± 0.2