

# SPECIFICATION

## FOR APPROVAL

Customer : \_\_\_\_\_  
Product Name : Microphone  
Model Name : VS9767S38  
Drawing No. : VS20211022012

### Signature of Voise

Approved by	Checkde by	Issued by	Date



Office Add:Haoyanguang B-302# No.968 Baizhang Road,Ningbo China  
Factory add: Shishan Industrial Park Moushan Town Yuyao City China  
Tel:86-0574-87471601 Fax:86-0574-87471603 P.C.315000  
Http://www.nbvoise.com E-mail:sales@nbvoise.com

## Table of contents

1. Revision
2. Scope
3. General Characteristics
4. Electrical and Acoustic Characteristics.
5. Measurement Method & Frequency Response curve
6. Dimensions

### 1. Revision

Rev.No.	Date	Page	Description of Revision
1.0	2019/5/17		Preliminary

Specification for Microphone		Page	2/4
		Revision No.	1.0
Model No.:	VS9767S38	Drawing No.	VS20211022012

## 2. Scope

This specification applies electret condenser microphone.

## 3. General Characteristics

- 3.1 Out-Diameter : 9.7 mm
- 3.2 Height : 6.5 mm
- 3.3 Weight : 0.8 g
- 3.4 Operating Temperature : -30~+70°C without loss of function
- 3.5 Store Temperature : -40~+80°C without loss of function

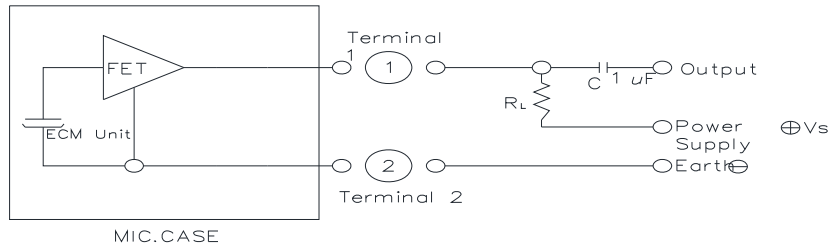
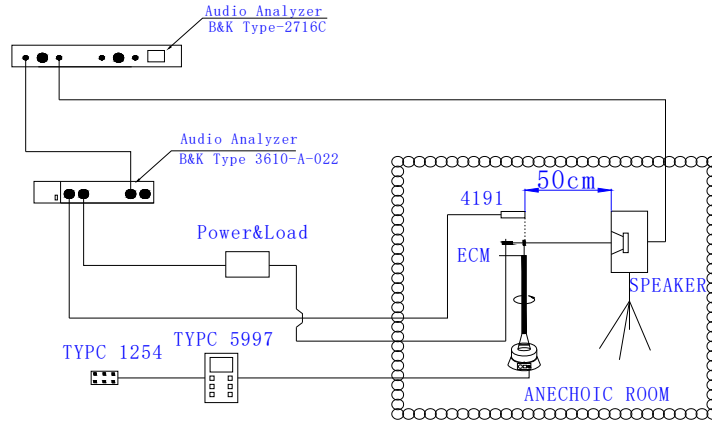
## 4. Electrical and Acoustic Characteristics.

Test condition :5 ~ 35 °C Temp., 35% ~85% RH,86~106 kPa 1kHz , RL=2.2KΩ

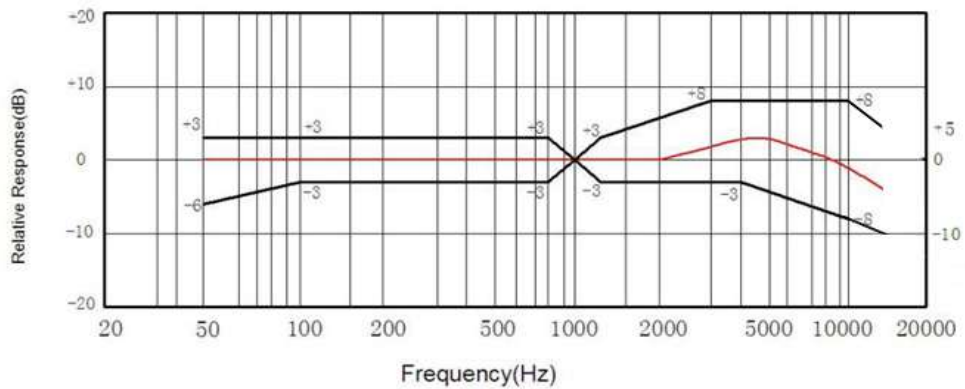
No	Items	Specification
1	Directivity	Omni-directional
2	Sensitivity (S)	-38dB±3dB (1KHZ, 0dB=1V/pa )
3	Power Supply Voltage(Vs)	4.5V
4	Output impedance (RL)	2.2 KΩ
5	Operating Voltage	1.5-10 V
6	Sensitivity reduction within 1.5V	-3dB
7	Frequency	50-16,000Hz
8	Max. Current Consumption	0.5 mA
9	Min S/N ratio	58 dB
10	Material	AL
11	Environmental Regulations	RoHS

We use "Pascal (Pa)" indication of sensitivity as per the recommendation of I.E.C.(International Electro technical Commission).The Sensitivity of "Pa" will increase 20dB comparing with "ubar" indication. Example: -60dB (0dB=1V/ubar) =-40dB (1V/Pa)

### 5. Measurement Method & Frequency Response curve



Vs: 4.5V RL: 2.2KΩ



# Specification for Microphone

Page

4/4

Model No.: VS9767S38

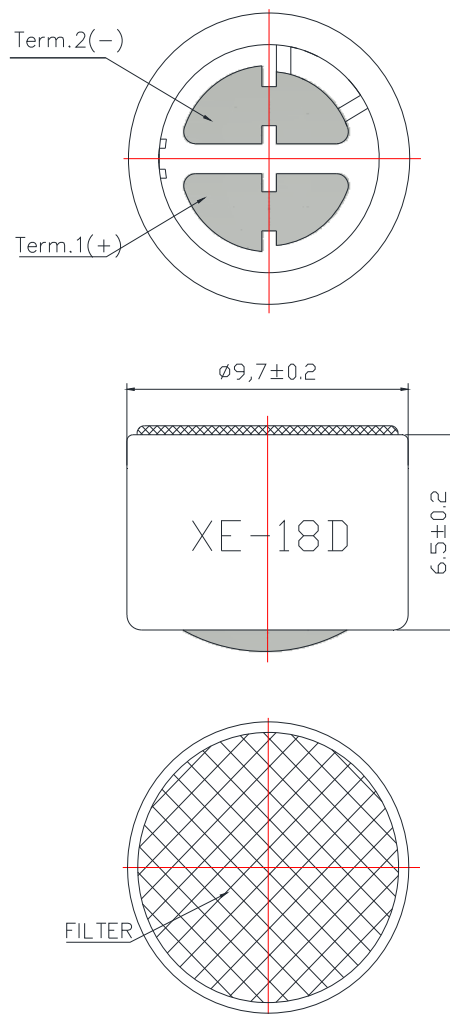
Revision No.

1.0

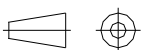
Drawing No.

VS20211022012

## 6. Dimensions



FIRST ANGLE PROJECTION



UNIT : mm

Tolerance :  $\pm 0,2$