

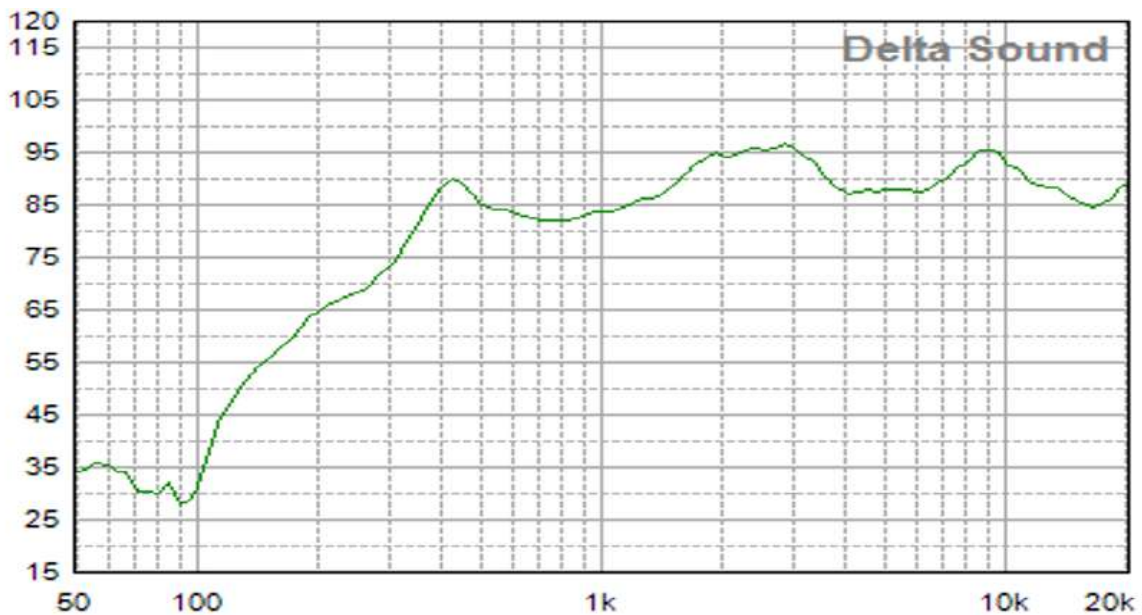
## Specification for Speaker

Model No.	VS90x50R8F400P5WP	Drawing No.	VS20211030011
Customer			

### SPEC

NO.	Items	Specification	Test Condition
1	Impedance	$8\Omega \pm 15\%$	at 1Vrms,0.8kHz
2	Resonant Fr. (fo)	400Hz $\pm$ 20%	
3	Frequency Range	F0-20KHz	
4	Rated Power	5W	
5	Max Power	7W	
6	S.P.L.	89dB $\pm$ 3dB	(0.1W/0.1M at0.8,1.0,1.2,1.5kHz Ave)
7	Distortion	<5% Max.	at 2kHz/2Vrms
8	Sweep Test	must be normal	at sine wave 4.7 V
9	Load Test	after test meet item 8	rated white noise power, 96 Hrs.
10	Heat Test	after test meet item 8	+50 $\pm$ 2 $^{\circ}$ C 20~50% 96Hrs.
11	Cold Test	after test meet item 8	-30 $\pm$ 3 $^{\circ}$ C 96Hrs.
12	Humidity Test	after test meet item 8	+40 $\pm$ 2 $^{\circ}$ C,90~95% 96Hrs.
13	Weight	80 $\pm$ 5%g	
14	Polarity Test	with positive D.C. voltage to (+) terminal, the cone shall move forward.	
15	Note	IP64	

### Frequency Response Curve

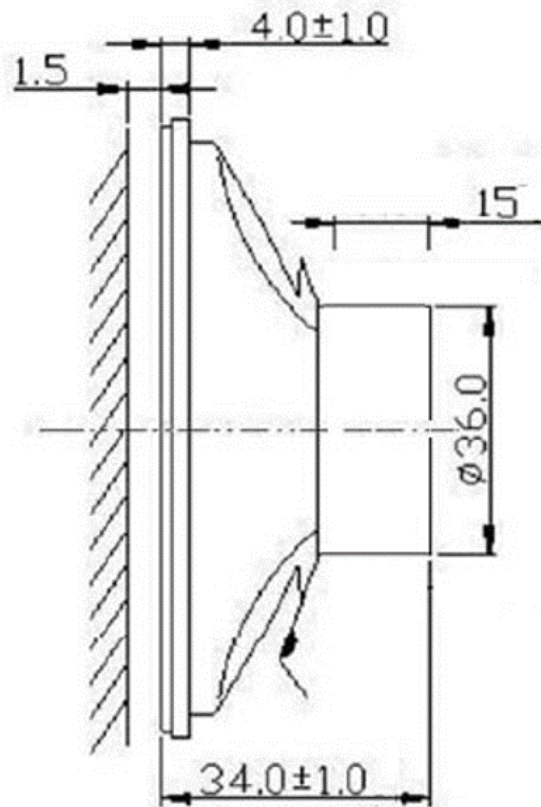
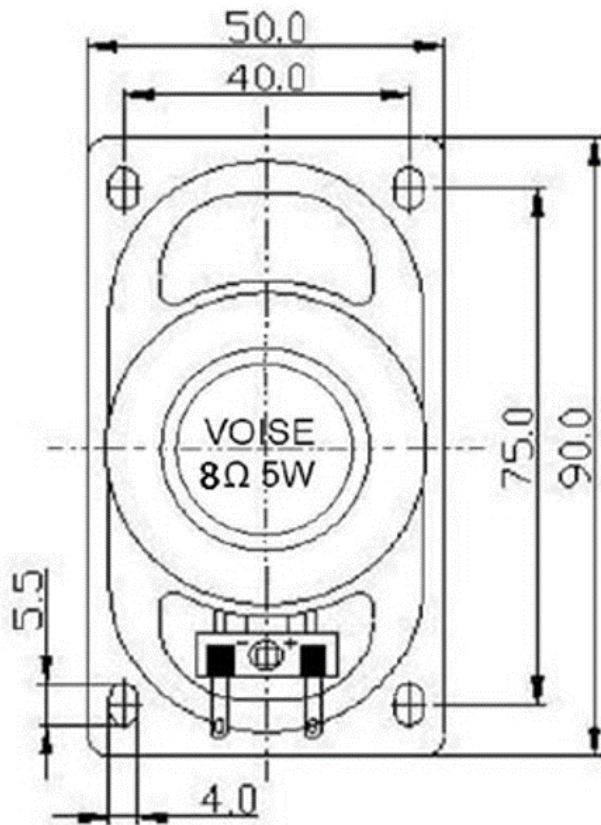


# Specification for Speaker

Model No. VS90x50R8F400P5WP

Drawing No. VS20211030011

Dimensions:



Unit : mm

Tolerance :  $\pm 0.2$