

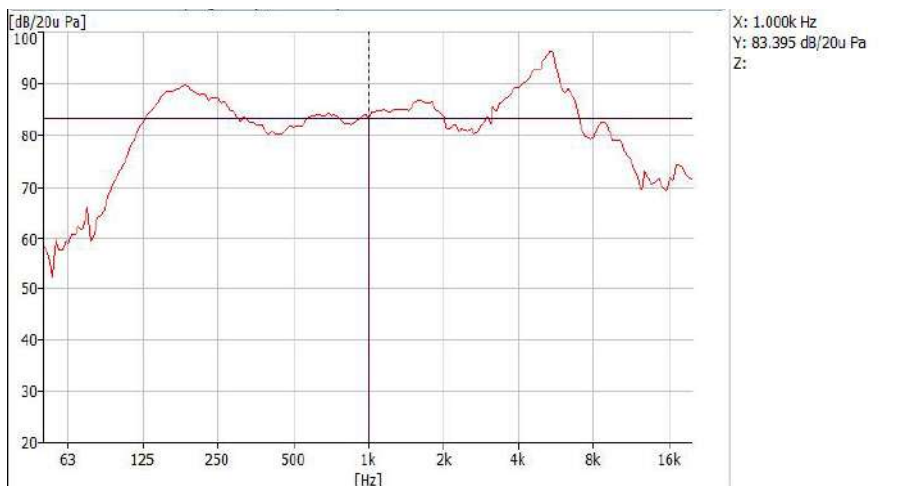
Specification for Speaker

Model No. :	VS57200R4F220P3	Drawing No.	VS20190926
Customer :	Quartz1		

SPEC

NO.	Items	Specification	Test Condition
1	Impedance	4Ω ±15%	at 1Vrms,2kHz
2	Resonant Fr. (fo)	220Hz±20%	
3	Frequency Range	F0-20KHz	
4	Rated Power	3W	
5	Max Power	5W	
6	S.P.L.	84dB±3dB	(1W/1M at 0.6,0.8,1.0,1.2kHz Ave)
7	Distortion	<5% Max.	at 2kHz/2Vrms
8	Sweep Test	must be normal	at sine wave 2.0 V
9	Load Test	after test meet item 8	rated white noise power, 96 Hrs.
10	Heat Test	after test meet item 8	+60±2°C 20~50% 96Hrs.
11	Cold Test	after test meet item 8	-20±3°C 96Hrs.
12	Humidity Test	after test meet item 8	+40±2°C,90~95% 96Hrs.
13	Weight	20±5%g	
14	Polarity Test	with positive D.C. voltage to (+) terminal, the cone shall move forward.	
15	Note		

Frequency Response Curve



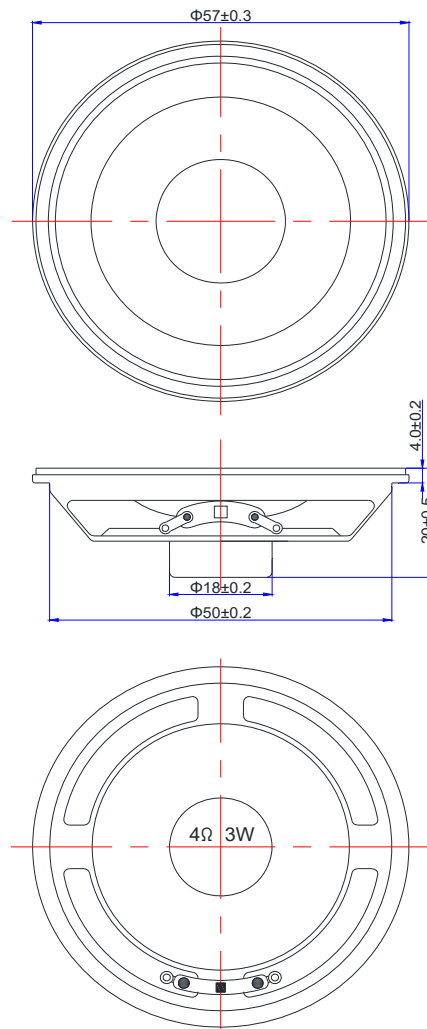
Specification for Speaker

Model No. : VS57200R4F220P3

Drawing No.

VS20190926

Dimensions:



Unit : mm

Tolerance : ± 0.2