



# SPECIFICATION

## FOR APPRONAL

Customer : \_\_\_\_\_

Product Name : Dynamic Speaker \_\_\_\_\_

Model Name : VS57125R8F500P0.3 \_\_\_\_\_

Drawing No. : VS20150604027 \_\_\_\_\_

### Signature of Voise

Approved by	Checkde by	Issued by	Date



福爱斯电子有限公司  
VOISE ELECTRONICS CO.,LTD.

Office Add:Haoyangguang B-302# No.968 Baizhang Road,Ningbo China

Factory add: Shishan Industrial Park Moushan Town Yuyao City China

Tel:86-0574-87471601 Fax:86-0574-87471600 P.C.315040

Http://www.nbvoise.com E-mail:sales@nbvoise.com



Specification for Dynamic Speaker		Page	2/7
		Revision No.	1.0
Model No.:	VS57125R8F500P0.3	Drawing No.	VS20150604027

## Table of contents

1. Revision
2. Scope
3. General Characteristics
4. Electrical and Acoustic Characteristics.
5. Reliability Test
6. Measurement Method & Frequency Response curve
7. Dimensions
8. Packing

### 1. Revision

Rev.No.	Date	Page	Description of Revision
1.0	2015/6/4		Preliminary



Specification for Dynamic Speaker		Page	3/7
		Revision No.	1.0
Model No.:	VS57125R8F500P0.3	Drawing No.	VS20150604027

## 2. Scope

This document contains required environmental, electrical, acoustic, mechanical, package and reliability test requirement

## 3. General Characteristics

- 2.1 Out-Diameter : 57 mm
- 2.2 Height : 12.5 mm
- 2.3 Weight : 25 g
- 2.4 Operating Temperature : -30~+50°C without loss of function
- 2.5 Store Temperature : -30~+60°C without loss of function

## 4. Electrical and Acoustic Characteristics.

Test condition : 15 ~ 35 °C Temp., 25% ~ 75% RH, 86~106 kPa Refer to IEC60268-1

No	Items	Specification
1	Impedance	8 Ω ± 15% (1Vrms at 0.8KHz)
2	Sound Pressure Level	90 dB ± 3dB (0.1m/0.1w at 0.8,1.0,1.2,1.5kHz Average)
3	Resonance Frequency(fo)	500 Hz ± 20% at 1V
4	Frequency Range	fo ~5KHz
5	Input Power	Rated 0.25 W / Max. 0.5 W
6	Distortion	Less than 5% at 1kHz 0.5W
7	Buzz and Rattle	Should not be audible buzzes, rattles when the 1.41V sine wave signal swept at frequency range.
8	Polarity	When a positive DC current is applied to the voice coil terminal marked (+), the diaphragm shall move to forward.



Specification for Dynamic Speaker		Page	4/7
		Revision No.	1.0
Model No.:	VS57125R8F500P0.3	Drawing No.	VS20150604027

## 5. Reliability Test

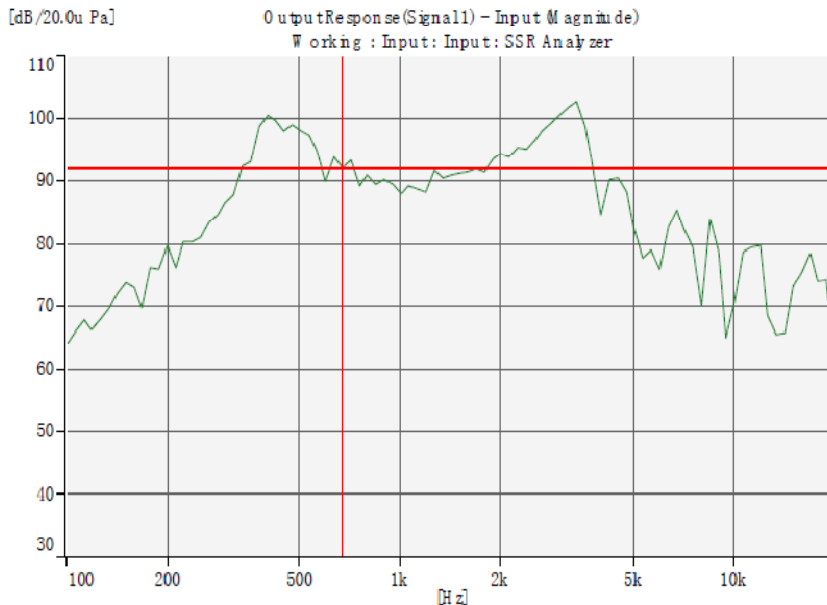
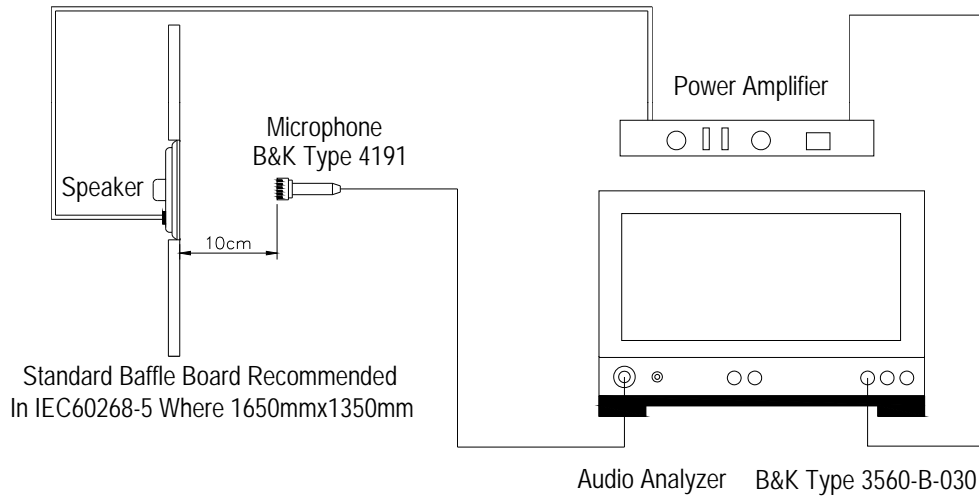
After test(1~7item), the speaker S.P.L . difference shall be within  $\pm 3\text{dB}$ , and the appearance not exist any change to be harmful to normal operation

No	Items	Specification
1	High Temp.Test	Keep 12 hours at $+60\pm 3\text{ }^\circ\text{C}$ ,and leave 3 houres in normal temperature and then check.
2	Low Temp.Test	Keep 12 hours at $-30\pm 3\text{ }^\circ\text{C}$ ,and leave 3 houres in normal temperature and then check.
3	Humidity Test	Keep 12 hours at $-30\pm 3\text{ }^\circ\text{C}$ ,relative humidity 85 to 90% and leave 4 hours in normal temperature and then check.
4	Thermal Shock Test	Each temperature cycle shall consist of 1 hours at $+25\pm 3\text{ }^\circ\text{C}$ followed by 1hours at $+60\pm 3\text{ }^\circ\text{C}$ ,and followed by 1hours at $-30\pm 3\text{ }^\circ\text{C}$ with a 20 to 40 minutes transition time between each 2 temperature extremes. The test duration is for 3 cycle.
5	Vibration Test	Being applied vibration of amplitude of 1.5mm with 10-55-10Hz band of vibration frequency,X.Y.Z.3 direction.2 hours each, total 3 hours.
6	Drop Test	Free drop fram 1.0 meter height to a board 20mm thick hard wood board. and be nothing mechanical damage. tatol 3 times.
7	Load test	Loading white noise with input rate power for 24 hours, then placed in natural condition for 1 hour and then check.
8	Insulation test	When they are measured with DC 100V the insulation resistance between v.c. terminal and frame must be more than 1 MO

Specification for Dynamic Speaker		Page	5/7
		Revision No.	1.0
Model No.:	VS57125R8F500P0.3	Drawing No.	VS20150604027

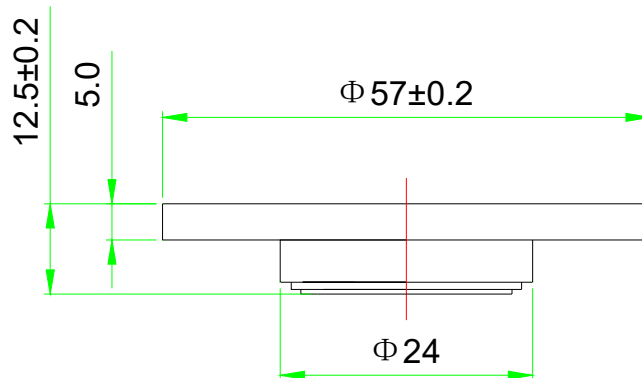
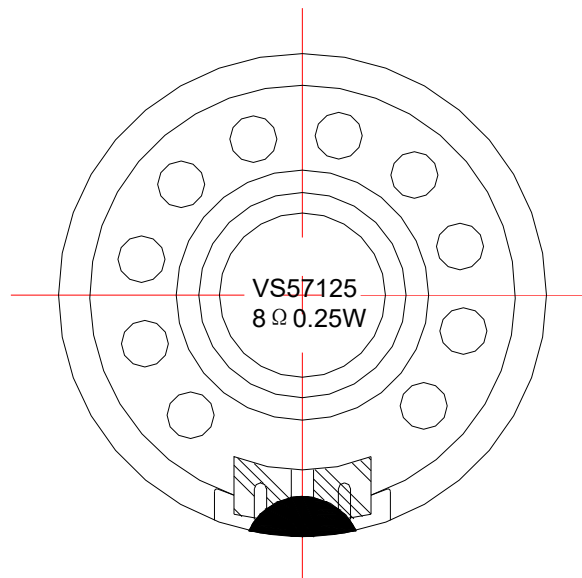
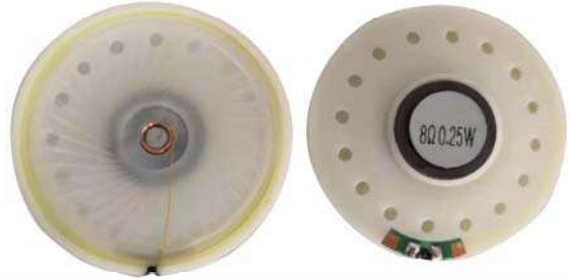
## 6. Measurement Method & Frequency Response curve

### Standard test condition of speaker



Specification for Dynamic Speaker		Page	6/7
		Revision No.	1.0
Model No.:	VS57125R8F500P0.3	Drawing No.	VS20150604027

### 7. Dimensions--Magnet out Plastic frame



FIRST ANGLE PROJECTION



UNIT : mm

Tolerance : ±0.2



Specification for Dynamic Speaker		Page	7/7
		Revision No.	1.0
Model No.:	VS57125R8F500P0.3	Drawing No.	VS20150604027

## 9. Packing

Each minimum package unit of products shall be in a carton box and it shall be clearly marked with Part Number ,quantity and outgoing inspection number.

There shall be no mechanical damage on products during in storage.