

SPECIFICATION

Customer :
Applied To :
Product Name : Dynamic Speaker
Model Name : VS35x16R8F850P1
Drawing No. : VS20221129012

Signature of Appronal

--

Signature of Voice

Approved by	Checkde by	Issued by	Date

 **福爱斯电子有限公司**
VOISE ELECTRONICS CO.,LTD.

Address:No 96 Mogao Dongqian Lake Industial Area ningbo,China,
Tel:0086-0574-87773030;Fax:0086-0574-87471600 P.C.315121
<http://www.nbvoise.com> Email:sales@nbvoise.com

Specification for Dynamic Speaker	Page	2/8
	Revision No.	1.0
Model No. : VS35x16R8F850P1	Drawing No.	VS20221129012

CONTENTS

1. Scope
2. General
3. Electrical and Acoustic Characteristics.
4. Reliability Test
5. Measurement Block Diagram & Response curve
6. Dimensions
7. Packing
8. Revision

Specification for Dynamic Speaker

Page

3/8

Revision No.

1.0

Model No. : VS35x16R8F850P1

Drawing No.

VS20221129012

1. Scope

This specification is applied to the dynamic speaker which is used all of the electrical acoustic product.

-- compact, rich sound

-- applications: mobile phone, PDA, notebook computer, etc. ...

2. General

2.1 Out-Diameter : 35x16 mm

2.2 Height : 5.3 mm

2.3 Weight : 2.6 g

2.4 Operating Temperature range:

-20~+60 °C without loss of function

2.5 Store Temperature range:

-30~+70 °C without loss of function

3. Electrical and Acoustic Characteristics.

Test condition : 15 ~ 35 °C, 25% ~ 85% RH, 860~1060 mbar

No	Items	Specification
1	Impedance	8 Ω ± 15% (1Vrms at 2KHz)
2	Sound Pressure Level	88 dB ± 3dB (at 0.1m/0.1w at 0.8,1.0,1.5,2.0kHz Average)
3	Resonance Frequency	850 Hz ± 20% at 1Vrms
4	Frequency Range	f0~20KHz
5	Input Power	Rated 1 W / Max. 2 W
6	Distortion	<10% Max. at 2kHz 2W
7	Buzz and Rattle	Should not be audible buzzes,rattles when the 2.83V sine wave signal swept at frequency range.
8	Polarity	When supplied plus D.C. voltage to (+) terminal, the cone diaphragm must move to forward.

Specification for Dynamic Speaker

Page

4/8

Revision No.

1.0

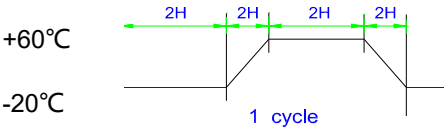
Model No. : VS35x16R8F850P1

Drawing No.

VS20221129012

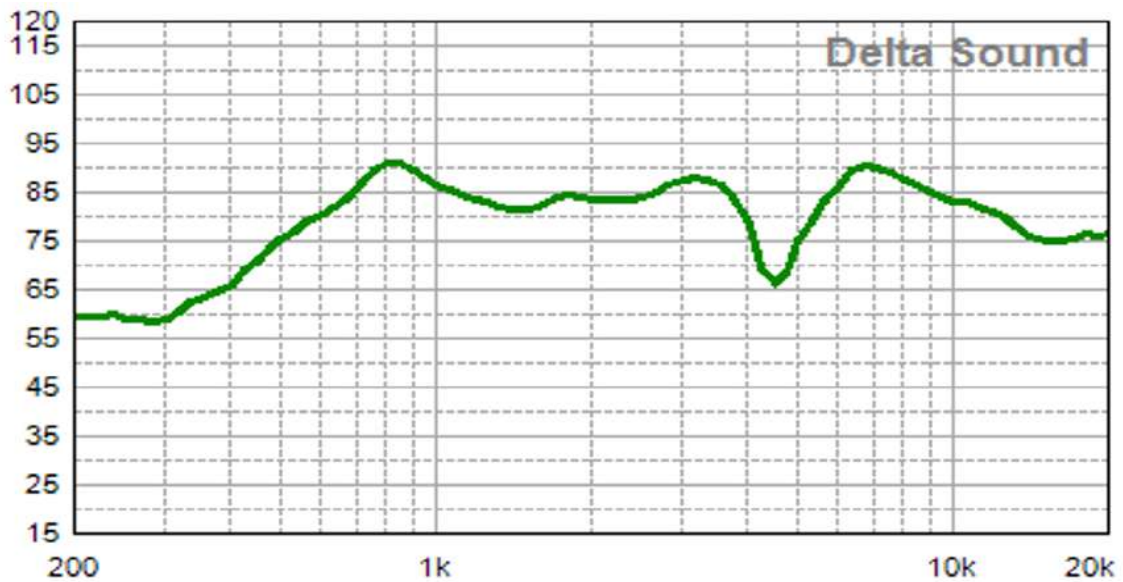
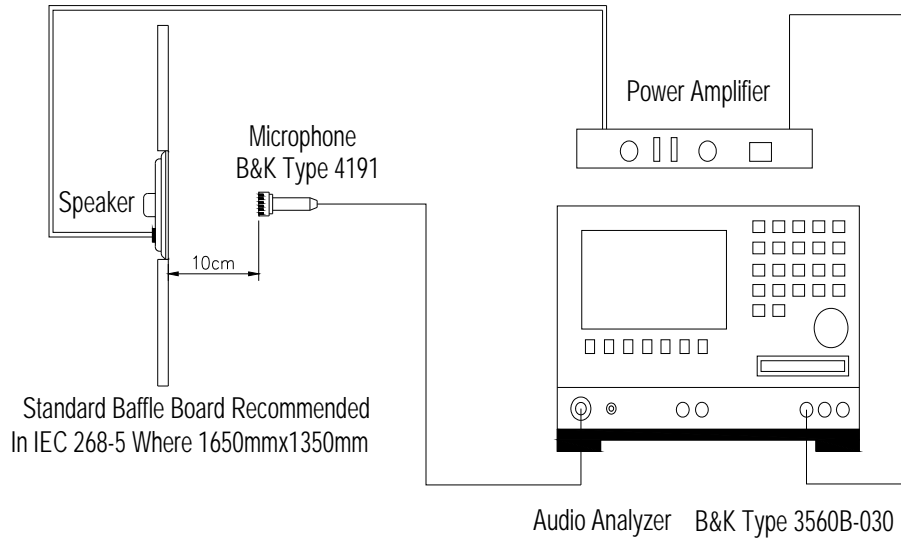
4. Reliability Test

After test(1~7item), the speaker S.P.L . difference shall be within $\pm 3\text{dB}$, and the appearance not exist any change to be harmful to normal operation (e.g. cracks,rusts,damages and especially distortion).

No	Items	Specification
1	High Temperature Test	After being placed in a chamber with $+70\pm 3\text{ }^\circ\text{C}$ for 100 hours and then being placed in natural condition for 1 hour, speaker shall be measured.
2	Low Temperature Test	After being placed in a chamber with $-30\pm 3\text{ }^\circ\text{C}$ for 100 hours and then being placed in natural condition for 1 hour, speaker shall be measured.
3	Humidity Test	After being placed in a chamber with 85 to 90%R.H. at $+40\pm 2\text{ }^\circ\text{C}$ for 100 hours and then being placed in natural condition for 1 hour, speaker shall be measured.
4	Thermal Shock Test	<p>After being placed in a chamber at $+60\text{ }^\circ\text{C}$ for 2 hour, then speaker shall be placed in a chamber at $-20\text{ }^\circ\text{C}$ for 2 hour(1 cycle is the below diagram). After 4 above cycles, speaker shall be measured after being placed in natural condition for 10 Sec..</p>  <p style="text-align: center;"> $+60\text{ }^\circ\text{C}$ $-20\text{ }^\circ\text{C}$ </p>
5	Vibration Test	After being applied vibration of amplitude of 1.5mm with 10 to 55Hz band of vibration frequency to each of 3 perpendicular directions for 2 hour, then placed in natural condition for 1 hour, speaker shall be measured.
6	Drop Test	The speaker when mounted in the jig which weight 85g~100g, shall with stand 5 times random drops from a height of 1.0 meter to a concrete floor faced with 5mm thick hard wood board.and be nothing mechanical damage.
7	Load test	After being applied loading white noise with input power 1W(2.83Vrms.) for 100 hours, then placed in natural condition for 1 hour, speaker shall be measured.
8	Insulation test	When they are measured with DC 100V the insulation resistance between v.c. terminal and frame must be more than 1 M Ω

5. Measurement Block Diagram & Response curve

Standard test condition of speaker



Specification for Dynamic Speaker

Page

6/8

Revision No.

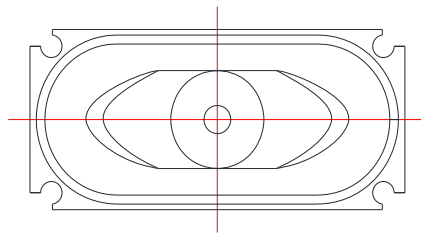
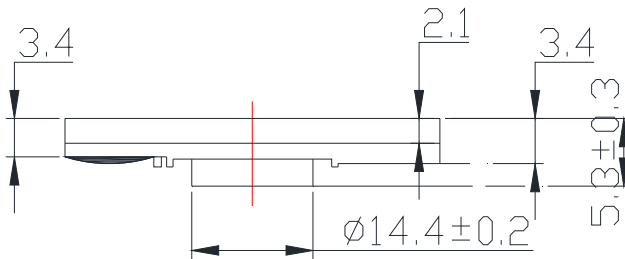
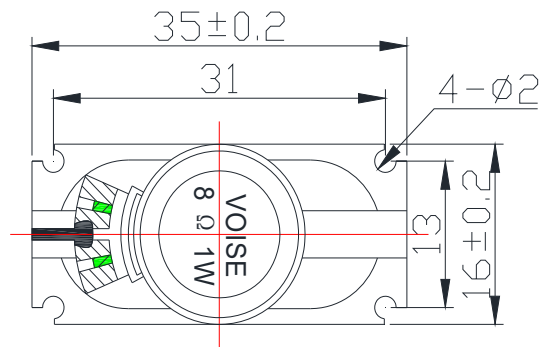
1.0

Model No. : VS35x16R8F850P1

Drawing No.

VS20221129012

6. Dimensions



7	Yoke	1	SPCC	
6	Terminal	1	Epoxy	
5	V-coil	1	Paper+Cu	
4	Plate	1	SPCC	
3	Magnet	1	Nd-Fe-B	
2	Diaphragm	1	Cloth	
1	Frame	1	SPCC	
No.	Part Name	Q'ty	Material	Remarks

Specification for Dynamic Speaker

Page

7/8

Revision No.

1.0

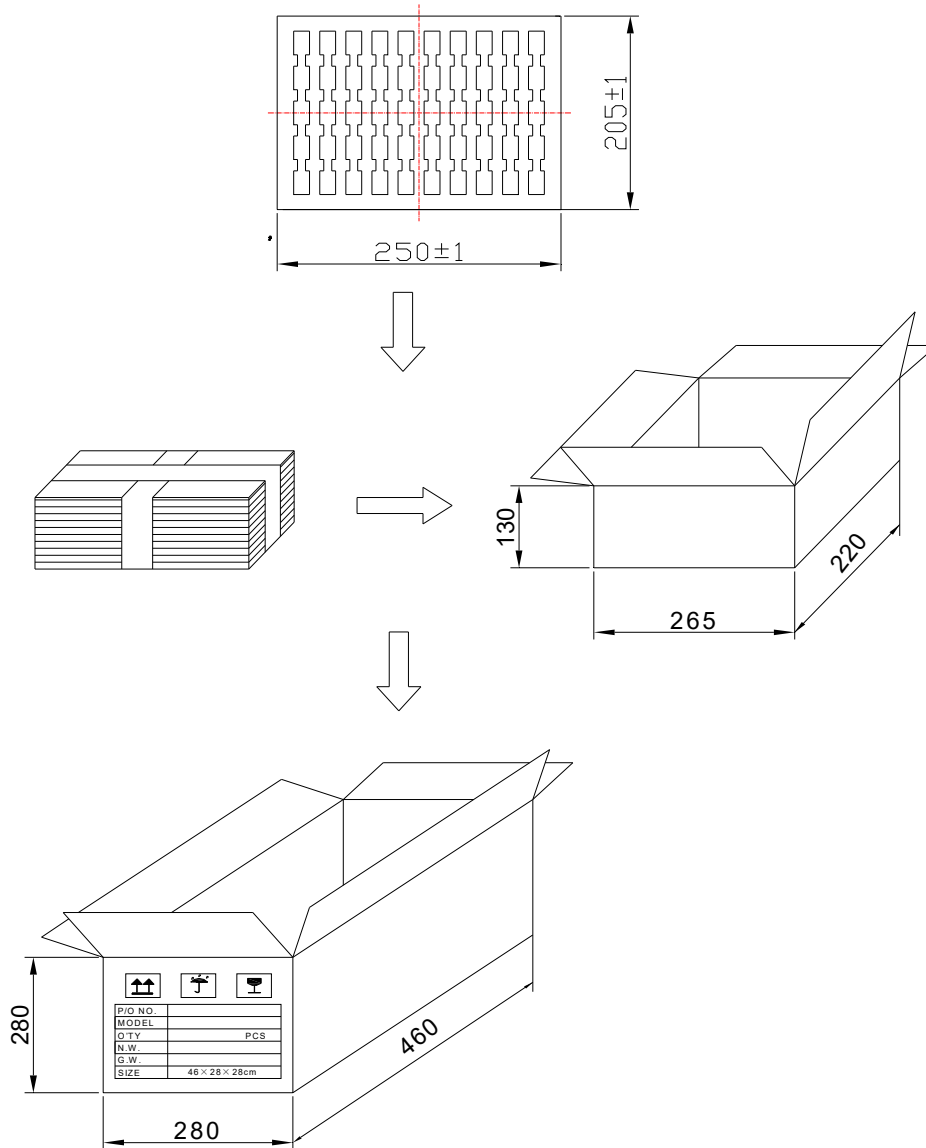
Model No. : VS35x16R8F850P1

Drawing No.

VS20221129012

7. Packing

A Customer Specification



50 pcs per tray
20 trays for unit
Total:2000 pcs per carton
Size:46×28×28cm

