

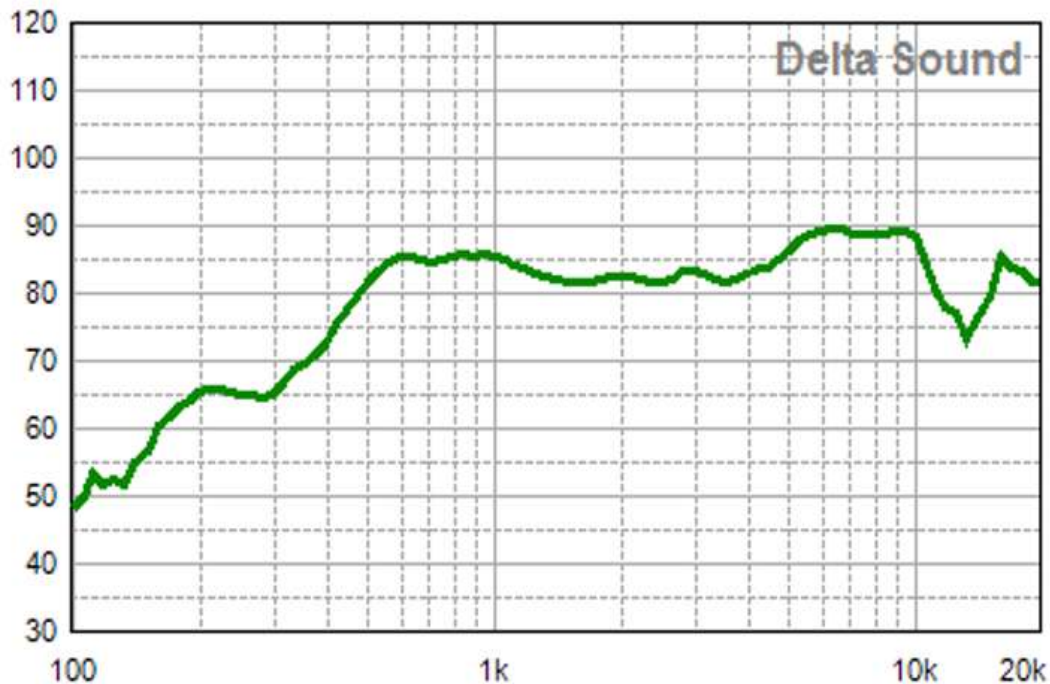
## Specification for Speaker

Model No.	VS3250R8F600P1L60	Drawing No.	VS20221111012
Customer			

### SPEC

NO.	Items	Specification	Test Condition
1	Impedance	$8\Omega \pm 15\%$	at 1Vrms, 1.5kHz
2	Resonant Fr. (fo)	600Hz $\pm$ 20%	
3	Frequency Range	F0-20KHz	
4	Rated Power	1W	
5	Max Power	1.5W	
6	S.P.L.	85dB $\pm$ 3dB	(0.1W/0.1M at 0.8, 1.0, 1.2, 1.5kHz Ave)
7	Distortion	<10% Max.	at 2kHz/2Vrms
8	Sweep Test	must be normal	at sine wave 2.83 V
9	Load Test	after test meet item 8	rated white noise power, 96 Hrs.
10	Heat Test	after test meet item 8	+60 $\pm$ 2 $^{\circ}$ C 20~50% 96Hrs.
11	Cold Test	after test meet item 8	-20 $\pm$ 3 $^{\circ}$ C 96Hrs.
12	Humidity Test	after test meet item 8	+40 $\pm$ 2 $^{\circ}$ C, 90~95% 96Hrs.
13	Weight	5.0 $\pm$ 5%g	
14	Polarity Test	with positive D.C. voltage to (+) terminal, the cone shall move forward.	
15	Note	IP64	

### Frequency Response Curve

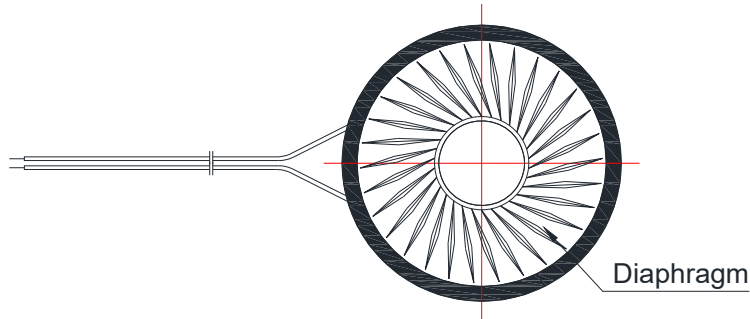
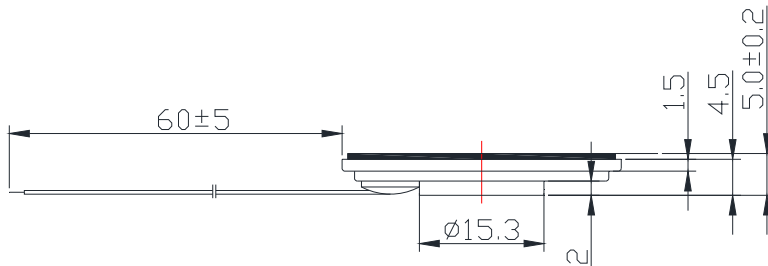
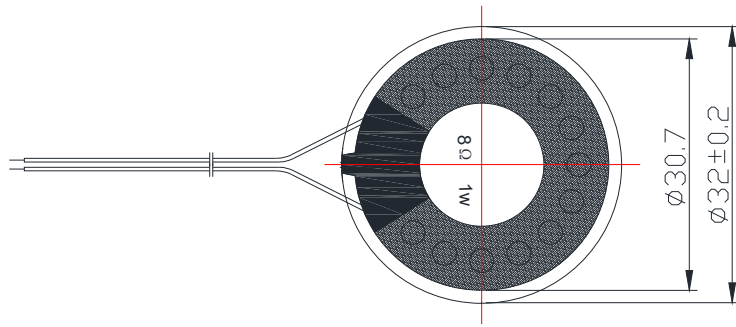


# Specification for Speaker

Model No. VS3250R8F600P1L60

Drawing No. VS20221111012

Dimensions:



Unit : mm

Tolerance :  $\pm 0.2$