



# SPECIFICATION

## FOR APPRONAL

Customer : \_\_\_\_\_

Product Name : Sensor \_\_\_\_\_

Model Name : VS-A1640H12TR \_\_\_\_\_

Drawing No. : VS20190215005 \_\_\_\_\_

### Signature of Voise

Approved by	Checkde by	Issued by	Date



福爱斯电子有限公司  
VOISE ELECTRONICS CO.,LTD.

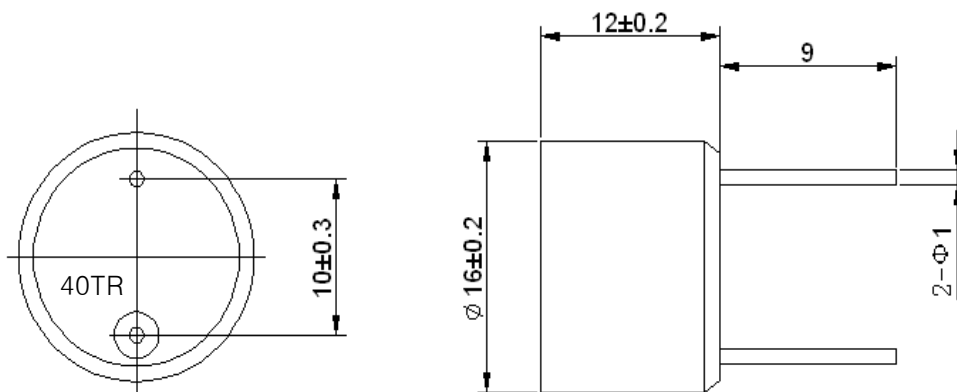
Office Add:Haoyangguang B-302# No.968 Baizhang Road,Ningbo China  
Factory add: Shishan Industrial Park Moushan Town Yuyao City China  
Tel:86-0574-87471601 Fax:86-0574-87471603 P.C.315000  
Http://www.nbvoise.com E-mail:sales@nbvoise.com

Specification for Sensor		Page	2/4
		Revision No.	1.0
Model No.:	VS-A1640H12TR	Drawing No.	VS20190215005

## ELECTRICAL SPECIFICATION

No	Items	Specification
1	Construction	Open
2	Using Method	Dual
3	Center frequency(KHZ)	40 KHZ
4	Directivity	$50^{\circ} \pm 5^{\circ}$
5	Transmitting Sound Pressure Level	$\geq 115\text{dB}$ (10V/30cm/sine wave)
6	Sensitivity	$\geq -65\text{dB V/u bar}$
7	Capacitance(pF)	$2400 \pm 25\%$ @1kHz
8	Allowable Maximum Input Voltage(Vp-p)	150 (40KHz)
9	Detectable range	0.2-18 m
10	Operating Temperature	-30~ +70(°C)
11	Storage Temperature	-40~ +85(°C)
12	Material	AL,PLASTIC
13	Reactivate response time	Max 1.6ms

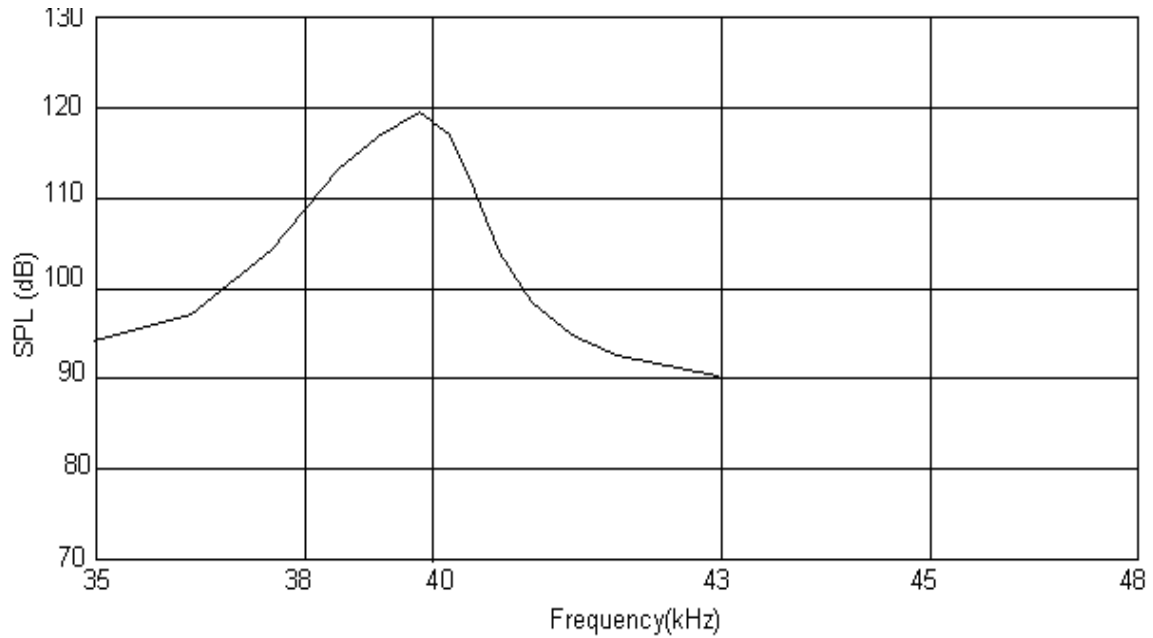
## APPEARANCE AND DIMENSIONS



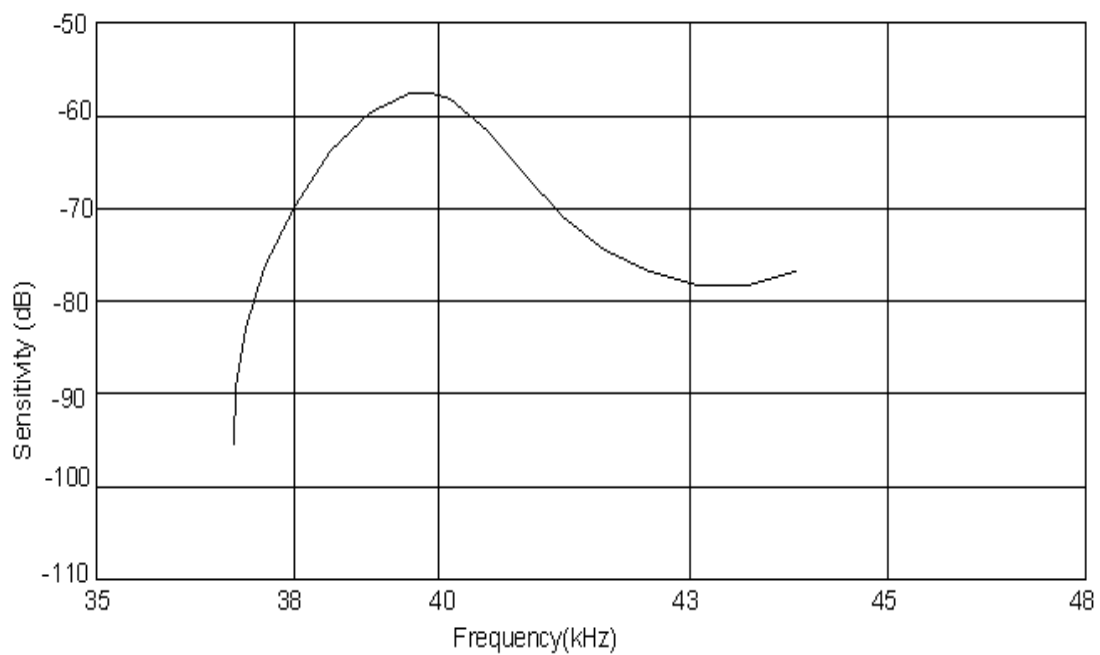


Specification for Sensor		Page	3/4
		Revision No.	1.0
Model No.:	VS-A1640H12TR	Drawing No.	VS20190215005

### Beam Pattern

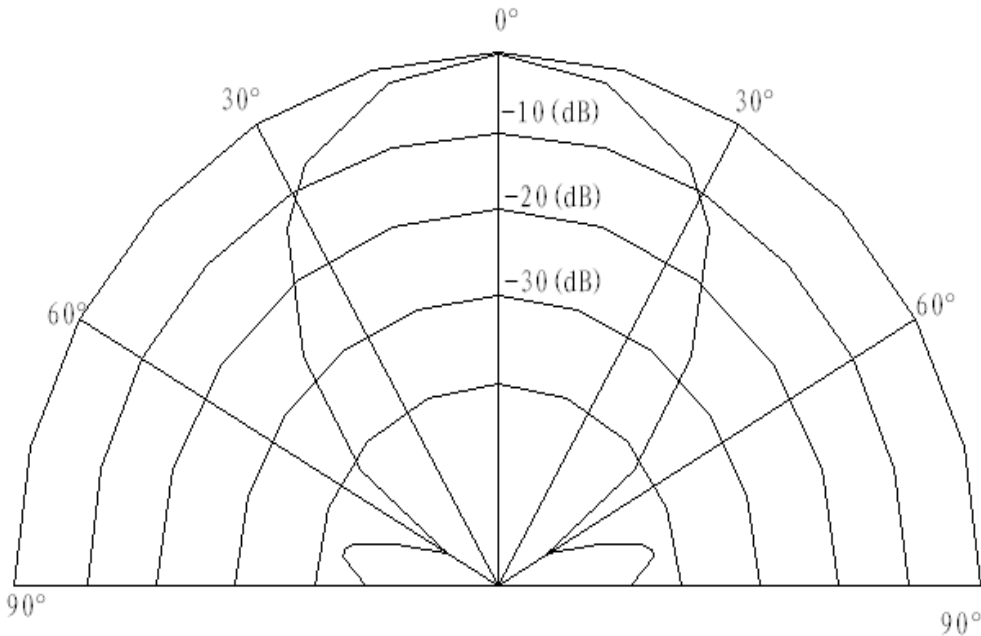


SPL-Frequency Characteristics



Sensitivity-Freq.Characteristics(receiver)

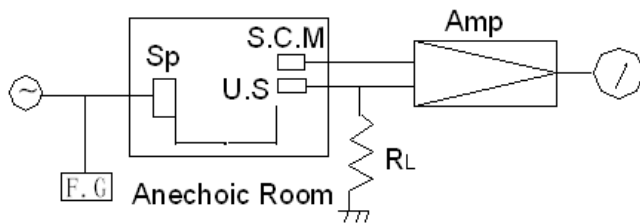
Specification for Sensor		Page	4/4
		Revision No.	1.0
Model No.:	VS-A1640H12TR	Drawing No.	VS20190215005



Directivity in Overall Sensitivity

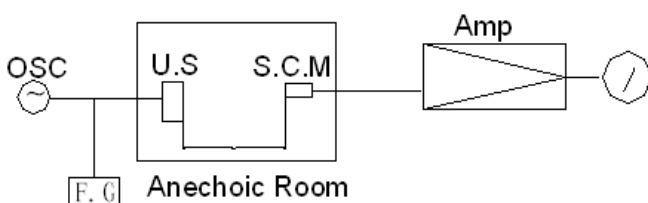
### Test Circuit

#### Receiver



RL: 3.9K $\Omega$   
 U.S :Ultrasonic Sensor  
 S.C.M:Standard Cappacitor Microphone  
 Amp. :Amplifier  
 OSC. :Oscillator  
 Sp :Tweeter  
 F.C :Frequency Counter

#### Transmitter



U.S :Ultrasonic Sensor  
 S.C.M:Standard Cappacitor Microphone  
 Amp. :Amplifier  
 Input voltage:10Vrms  
 F.C :Frequency Counter