



# SPECIFICATION

## FOR APPRONAL

Customer : \_\_\_\_\_

Product Name : Sensor \_\_\_\_\_

Model Name : VS-A1640H12R \_\_\_\_\_

Drawing No. : VS20190215003 \_\_\_\_\_

### Signature of Voise

Approved by	Checkde by	Issued by	Date



福爱斯电子有限公司  
VOISE ELECTRONICS CO.,LTD.

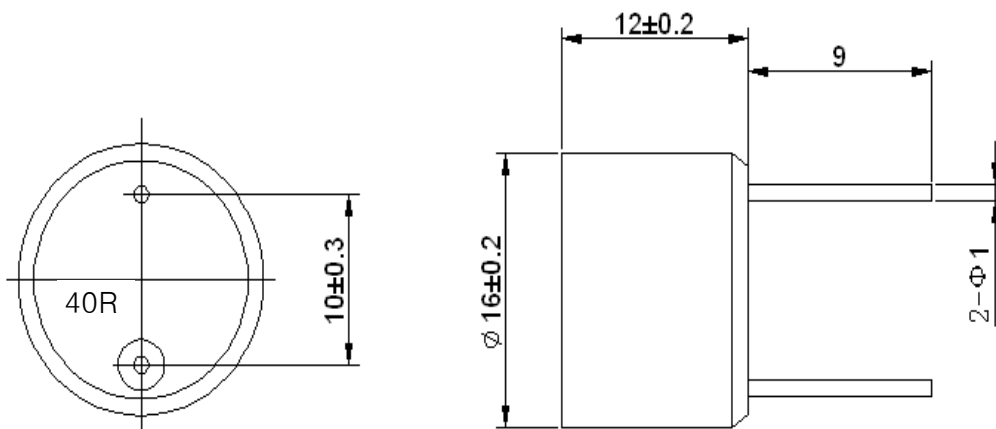
Office Add:Haoyangguang B-302# No.968 Baizhang Road,Ningbo China  
Factory add: Shishan Industrial Park Moushan Town Yuyao City China  
Tel:86-0574-87471601 Fax:86-0574-87471603 P.C.315000  
Http://www.nbvoise.com E-mail:sales@nbvoise.com

Specification for Sensor		Page	2/4
		Revision No.	1.0
Model No.:	VS-A1640H12R	Drawing No.	VS20190215003

## ELECTRICAL SPECIFICATION

No	Items	Specification
1	Construction	Open
2	Using Method	Receiver
3	Center frequency(KHz)	40 KHZ
4	Directivity	65°
5	Transmitting Sound Pressure Level	-
6	Sensitivity	≥-65dB V/u bar
7	Capacitance(pF)	2400±15% @1kHz
8	Detectable range	18 m
9	Operating Temperature	-30~ +70(°C)
10	Storage Temperature	-40~ +85(°C)
11	Housing Material	AL

## APPEARANCE AND DIMENSIONS

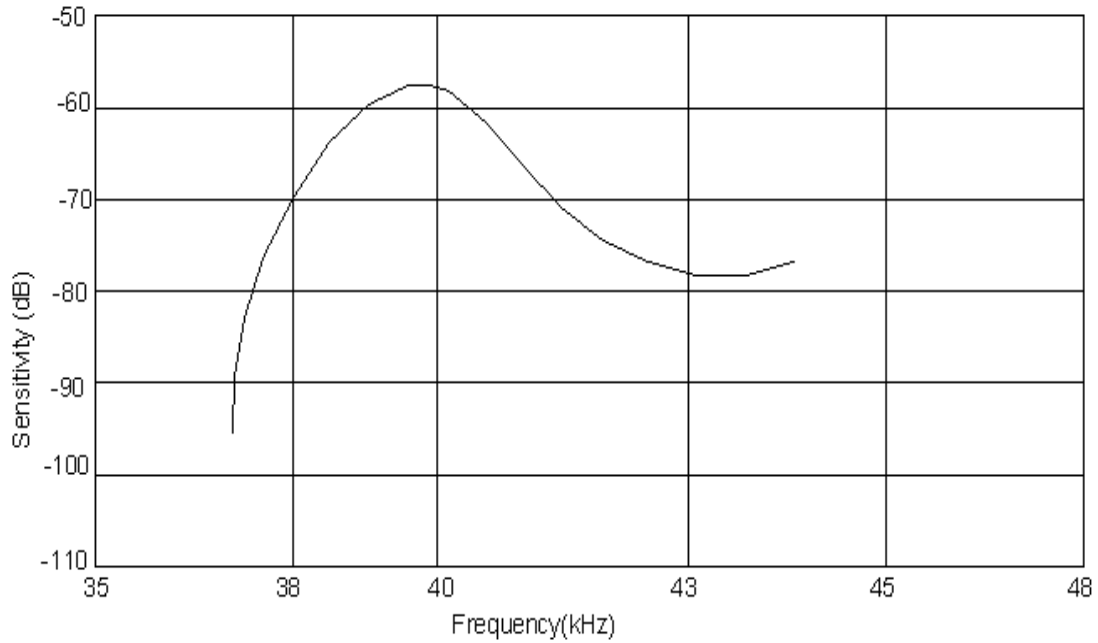


Specification for Sensor		Page	3/4
		Revision No.	1.0

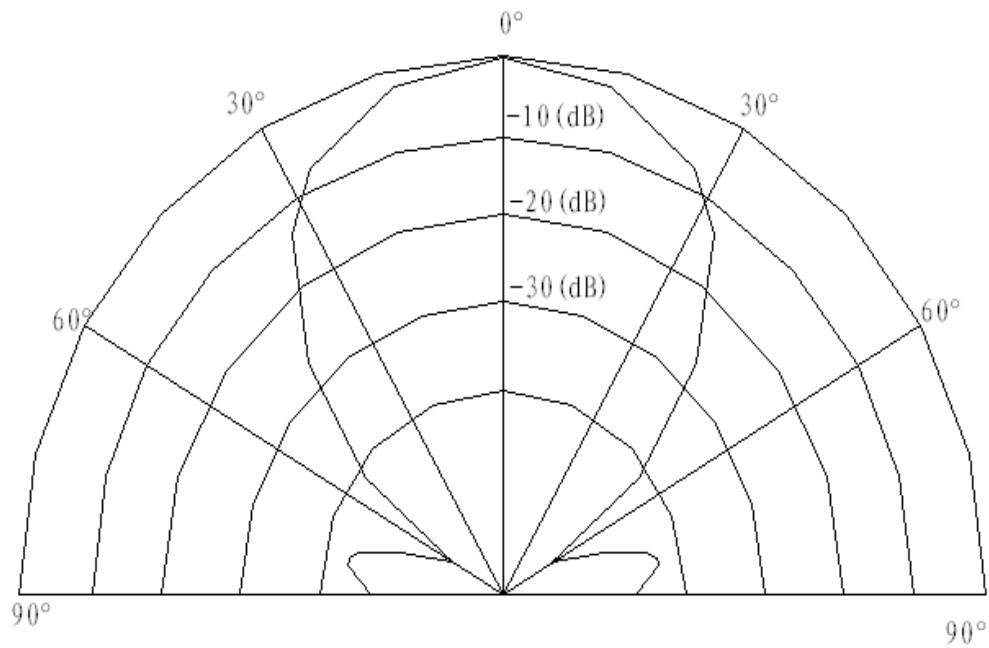
Model No.: VS-A1640H12R

REVISION NO. 1.0  
Drawing No. VS20190215003

### Beam Pattern



Sensitivity-Freq.Characteristics(receiver)



Directivity in Overall Sensitivity

Model No.: VS-A1640H12R

REVISION NO.

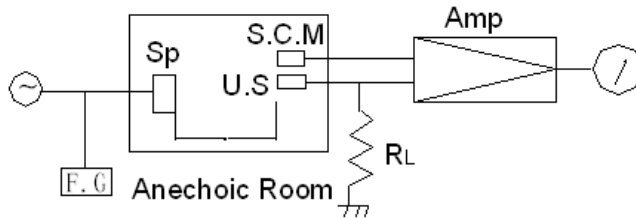
1.0

Drawing No.

VS20190215003

## Test Circuit

### Receiver



RL: 3.9K $\Omega$

U.S. :Ultrasonic Sensor

S.C.M:Standard Cappacitor Microphone

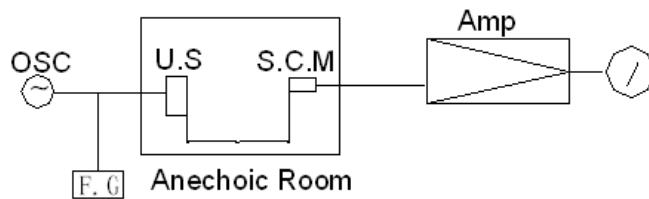
Amp. :Amplifier

OSC. :Oscillator

Sp :Tweeter

F.C. :Frequency Counter

### Transmitter



U.S. :Ultrasonic Sensor

S.C.M:Standard Cappacitor Microphone

Amp. :Amplifier

Input voltage:10Vrms

F.C. :Frequency Counter