

# SPECIFICATION

## FOR APPROVAL

Customer : \_\_\_\_\_

Product Name : Sensor \_\_\_\_\_

Model Name : VS-A1625H12T11 \_\_\_\_\_

Drawing No. : VS20210911023 \_\_\_\_\_

### Signature of Voise

Approved by	Checkde by	Issued by	Date



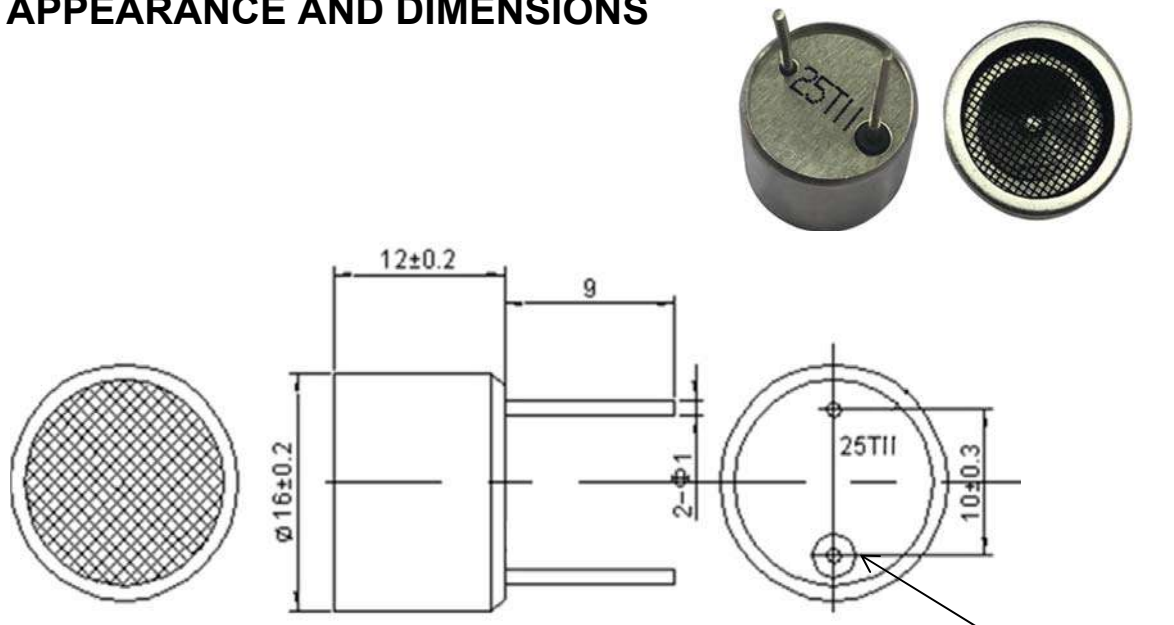
Office Add:Haoyangguang B-302# No.968 Baizhang Road,Ningbo China  
Factory add: Shishan Industrial Park Moushan Town Yuyao City China  
Tel:86-0574-87471601 Fax:86-0574-87471603 P.C.315000  
Http://www.nbvoise.com E-mail:sales@nbvoise.com

Specification for Sensor		Page	2/4
		Revision No.	1.0
Model No.:	VS-A1625H12T11	Drawing No.	VS20210911023

## ELECTRICAL SPECIFICATION

No	Items	Specification
1	Construction	Open
2	Using Method	Transmitter
3	Center frequency(KHz)	25 KHZ
4	Directivity	60°
5	Transmitting Sound Pressure Level	≥ 115dB (10V/30cm/sine wave)
6	Impedance	1100±20%
7	Capacitance(pF)	2500±25% @1kHz
8	Allowable Maximum Input Voltage(Vp-p)	120V (25KHz)
9	Detectable range	12 m
10	Operating Temperature	-30~ +85(°C)
11	Storage Temperature	-40~ +85(°C)
12	Material	AL(Silver)

## APPEARANCE AND DIMENSIONS

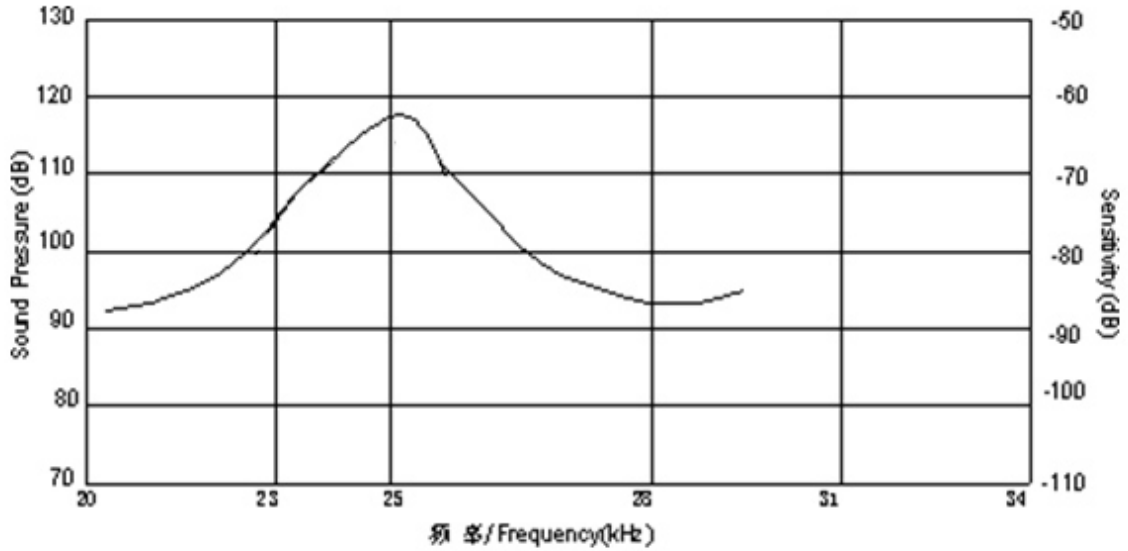


Big black spot- "+"

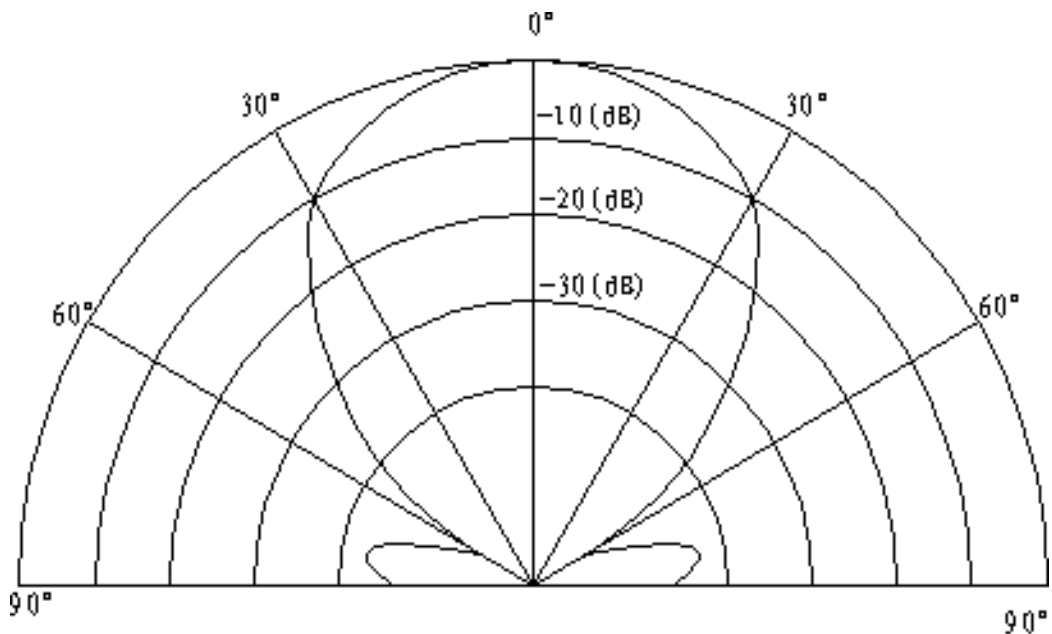
Unspecified tolerance: ±0.5mm

Specification for Sensor		Page	3/4
		Revision No.	1.0
Model No.:	VS-A1625H12T11	Drawing No.	VS20210911023

### Beam Pattern



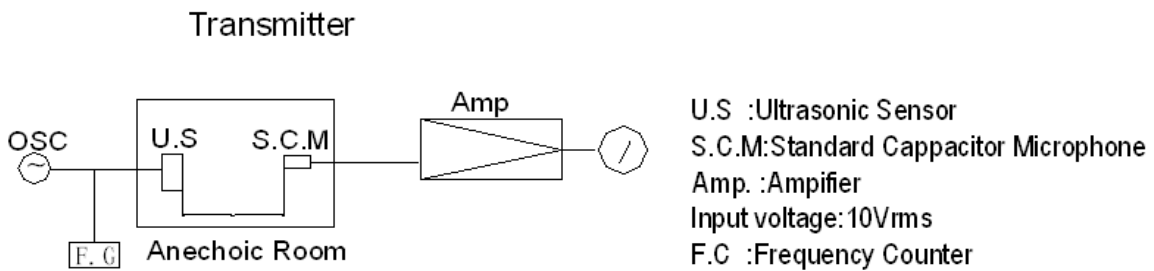
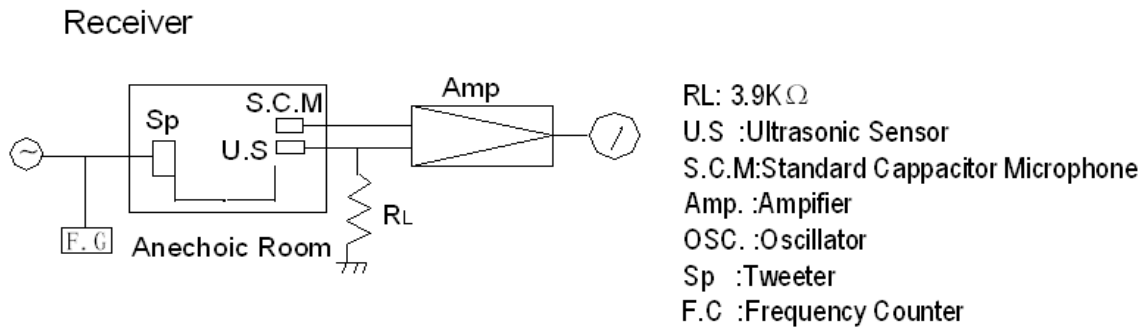
频率特性图/Frequency Characteristics



Directivity in Overall Sensitivity

Specification for Sensor		Page	4/4
		Revision No.	1.0
Model No.:	VS-A1625H12T11	Drawing No.	VS20210911023

### Test Circuit



### Revision

Rev.No.	Date	Page	Description of Revision
1.0	2021/9/11		Preliminary