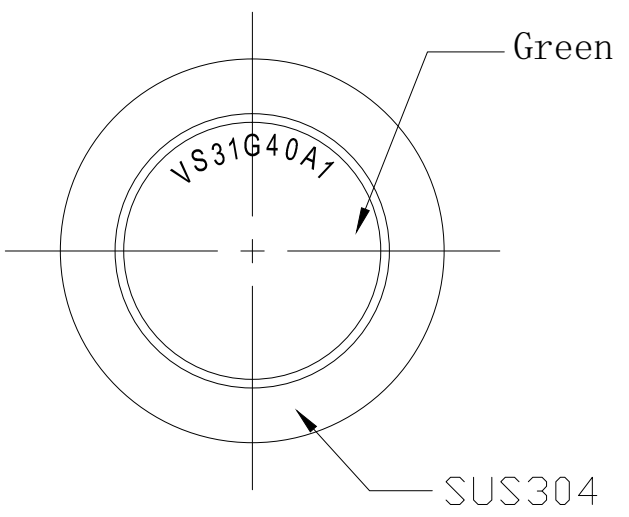


## SPECIFICATION

- 1. Resonant Frequency ..... 4.0±0.3kHz
- 2. Static Capacitance ..... 55000±30%(pF) at 100Hz
- 3. Resonant Impedance ..... 500 Ω Max
- 4. Operating Voltage ..... 30Vp-p max
- 5. Operating Temperature ..... -20-+70(°C)
- 6. Storage Temperature ..... -30-+80(°C)
- 7. Metal Material..... SUS304



**技术要求:**

- 1, 焊锡焊盘的尺寸中最大为2毫米.
- 2, 焊点上必须涂保护胶; 见图示.
- 3, 产品符合欧盟环保要求.

			NINGBO VOISE ELECTRONICS CO.,LTD <a href="http://www.nbvoise.com">http://www.nbvoise.com</a>	
No.	DESCRIPTION	APPROVED	DATE	Piezoelectric Element VS31G40A1
TOLERANCES UNLESS NOTED OTHERWISE X - 0 XX - 0 ØZZ - 0 : 2AVKTOGE - 4A CP1 NOLP3A		APPROVALS	DATE	
FIRST ANGLE PROJECTION		DRAWN		UNIT <b>mm</b>
		CHECKED		DWG NO. <b>VS20190312027</b>
		APPROVED	19.03.12	SCALE
			SHEET	VER 1.0