

SPECIFICATION

FOR APPROVAL

Customer : _____

Product Name : Piezo Siren

Model Name : VPS0624H47

Drawing No. : VS20200224009

Signature of Voice

Approved by	Checkde by	Issued by	Date



福爱斯电子有限公司
VOISE ELECTRONICS CO.,LTD.

Office Add:Haoyangguang B-302# No.968 Baizhang Road,Ningbo China

Factory add: Shishan Industrial Park Moushan Town Yuyao City China

Tel:86-0574-87471601 Fax:86-0574-87471603 P.C.315000

Http://www.nbvoise.com E-mail:sales@nbvoise.com

Specification for Piezo Siren	Page	2/5
	Revision No.	1.0
	Model No.: VPS0624H47	Drawing No. VS20200224009

Table of contents

1. Revision
2. Scope
3. General Characteristics
4. Electrical and Acoustic Characteristics.
5. Dimensions
6. Packing

1. Revision

Rev.No.	Date	Page	Description of Revision
1.0	2020/2/24		Preliminary

Specification for Piezo Siren	Page	3/5
	Revision No.	1.0
Model No. : VPS0624H47	Drawing No.	VS20200224009

2. Scope

This specification is applied to the siren used for sounder in alarm systems, Please contact us when using this product for any other applications than described in the above.

3. General

- 2.1 Out-Diameter : 54 mm
- 2.2 Height : 47.5 mm
- 2.3 Weight : 100 ±5g
- 2.4 Operating Temperature range:
-20~+60°C without loss of function
- 2.5 Store Temperature range:
-30~+70°C without loss of function

4. Electrical and Acoustic Characteristics.

Test condition : 15 ~ 35 °C, 25% ~ 85% RH, 860~1060 mbar

No	Items	Specification
1	Rated Voltage	24V DC
2	Working Voltage	12-30V DC
3	Max Rated Current	300mA
4	Min Sound Pressure Level	110dB at 24VDC/100cm
5	Resonant Frequency	1.5-4.0KHz
6	Tone Nature	1 tone continuous (warble)
7	Housing Material	ABS
8	Color	Black

Specification for Piezo Siren

Page

4/5

Revision No.

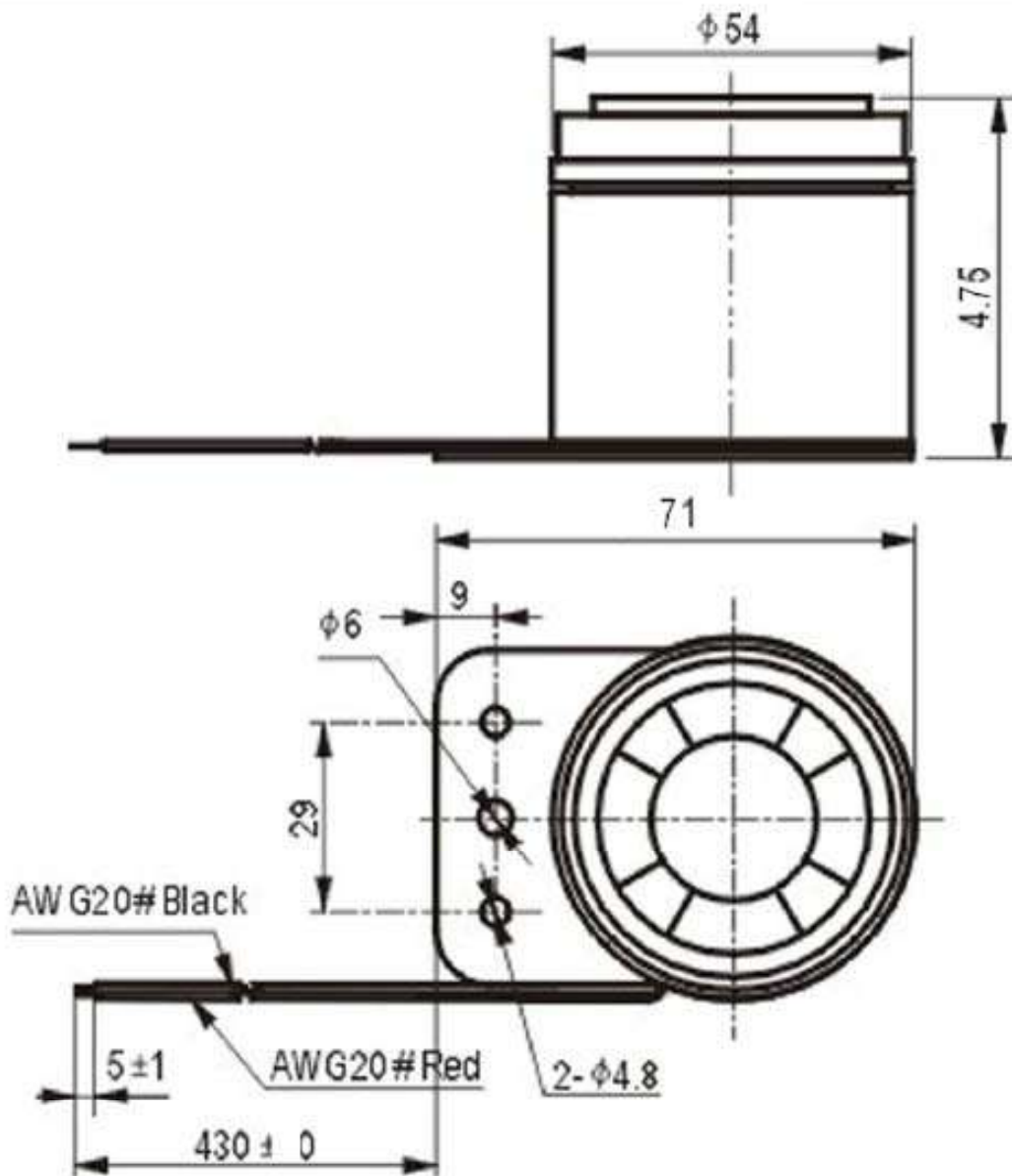
1.0

Model No. : VPS0624H47

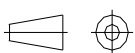
Drawing No.

VS20200224009

5. Dimensions



FIRST ANGLE PROJECTION



UNIT : mm

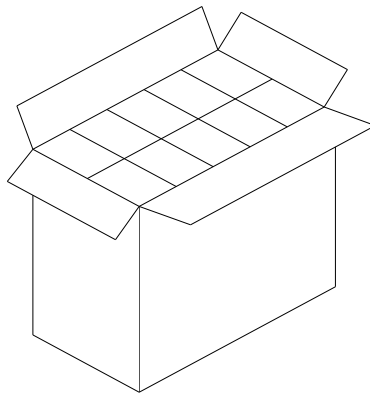
Tolerance : ± 1.5

Specification for Piezo Siren	Page	5/5
	Revision No.	1.0
Model No. : VPS0624H47	Drawing No.	VS20200224009

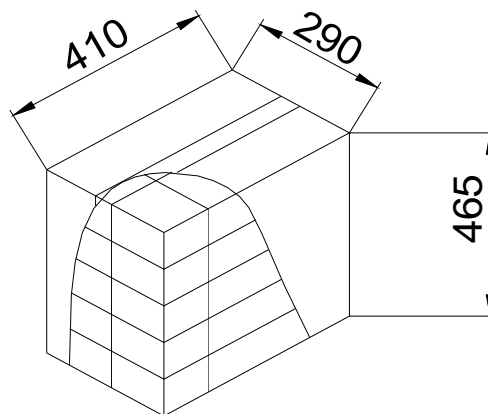
6. Packing

Each minimum package unit of products shall be in a carton box and it shall be marked with Part Number ,quantity .There shall be no mechanical damage on during tsansportation and/or in storage.

Picture1(1PCS)



Picture2(100PCS)



Picture3(100PCS)

Total:100 pcs per box
Size:40X40X24.5CM