

SPECIFICATION

FOR APPROVAL

Customer : _____

Product Name : Tweeter _____

Model Name : VCT-5415 _____

Drawing No. : VS20200221016 _____

Signature of Voise

| Approved by | Checkde by | Issued by | Date |
|-------------|------------|-----------|------|
| | | | |

 福爱斯电子有限公司
VOISE ELECTRONICS CO.,LTD.

Office Add:Haoyangguang B-302# No.968 Baizhang Road,Ningbo China

Factory add: Shishan Industrial Park Moushan Town Yuyao City China

Tel:86-0574-87471601 Fax:86-0574-87471603 P.C.315000

Http://www.nbvoise.com E-mail:sales@nbvoise.com

| | | | |
|----------------------------------|----------|--------------|---------------|
| Specification for Tweeter | | Page | 3/6 |
| | | Revision No. | 0.0 |
| Model No.: | VCT-5415 | Drawing No. | VS20200221016 |

2. Scope

This product specification is applied to the Tweeter in alarm systems. Please contact us when using this product for any other applications than described in the above.

3. General Characteristics

- 3.1 Out-Diameter : 54 mm
- 3.2 Height : 15 mm
- 3.3 Weight : 25 g
- 3.4 Operating Temperature : -20~+60℃ without loss of function
- 3.5 Store Temperature : -30~+70℃ without loss of function

4. Electrical and Acoustic Characteristics.

Test condition : 15 ~ 35 °C Temp., 25% ~ 75% RH, 86~106 kPa Refer to IEC60268-1

| No | Items | Specification |
|----|--------------------------|--------------------|
| 1 | Max input Voltage | 60Vp-p Square wave |
| 2 | Capacitance at 1kHz | 27000±30%pF |
| 3 | Min Sound Preesure Level | 100dB/12Vp-p/30cm |
| 4 | Resonant Frequency | 3k±0.5kHz |
| 5 | Housing Material | ABS |
| 6 | Color | Black |
| 7 | Waterproof | IP64 |

| | | | |
|----------------------------------|----------|--------------|---------------|
| Specification for Tweeter | | Page | 4/6 |
| | | Revision No. | 0.0 |
| Model No.: | VCT-5415 | Drawing No. | VS20200221016 |

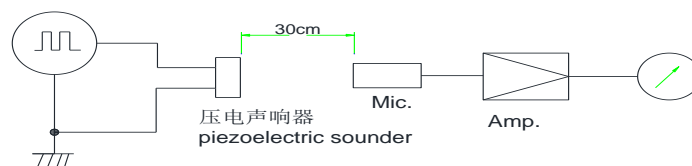
5. Reliability Test

After test(1~6item), the Tweeter S.P.L . difference shall be within $\pm 10\text{dB}$, and the appearance not exist any change to be harmful to normal operation

| No | Items | Specification |
|----|----------------|---|
| 1 | High Temp.Test | After being woked in a chamber with $+70\pm 2\text{ }^\circ\text{C}$ for 240h and then being placed in natural condition for 2h, and then check. |
| 2 | Low Temp.Test | First being worked in a chamber with $-30\pm 2\text{ }^\circ\text{C}$ for 240h and then being placed in natural condtion for 2h, and then check. |
| 3 | Humidity Test | After being placed in a chamber with 90 to 95%R.H. at $+30\pm 2\text{ }^\circ\text{C}$ for 240 h and then being placed in natural condition for 2h ,and then check. |
| 4 | Shock Test | Sounder shall be measured after being applied shock(490m/s^2) for each three mutually perpendicular directions to each of 3 times by half sine wave. |
| 5 | Vibration Test | Sounder shall be measured after being applied vibration of amplitude of 1.5mm with 10 to55Hz band of vibration frequency to each of 3 perpendicular directions for 2 hours. |
| 6 | Drop Test | Free drop fram 0.5 meter height to a board 20mm thick hard wood board. and be nothing mechanical damage. tatol 2 times. |

6. Measurement Method & Frequency Response curve

输入电压:12Vp-p Input :12Vp-p

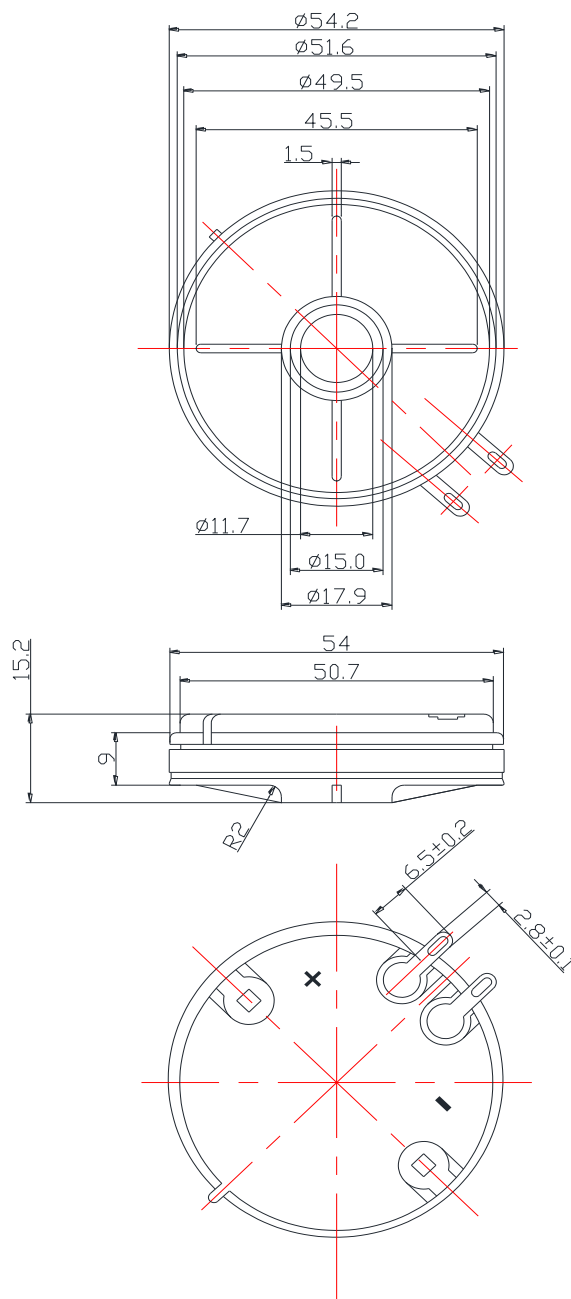


MIC : ND10 普通声级计或等同品
MIC : ND10 Sound Meter or equivalent
稳压电源 : DF1730SL2A或等同品
DC Power Supply : DF1730SL2A or equivalent



| | | | |
|----------------------------------|----------|--------------|---------------|
| Specification for Tweeter | | Page | 5/6 |
| | | Revision No. | 0.0 |
| Model No.: | VCT-5415 | Drawing No. | VS20200221016 |

7. Dimensions



FIRST ANGLE PROJECTION



UNIT : mm

Tolerance : ± 0.2

| | | | |
|---------------------------|----------|--------------|---------------|
| Specification for Tweeter | | Page | 6/6 |
| | | Revision No. | 0.0 |
| Model No.: | VCT-5415 | Drawing No. | VS20200221016 |

8. Packing

Each minimum package unit of products shall be in a carton box and it shall be clearly marked with Part Number ,quantity and outgoing inspection number.

There shall be no mechanical damage on products during in storage.