

Specification for Siren

Model No.	VCT3813M	Drawing No.	VS20231226018
Customer			

SPEC

NO.	Items	Specification	Test Condition
1	Rated Voltage	12Vp-p	
2	Max Rated Voltage	30Vp-p	
3	Resonant Fr. (fo)	20KHz±3kHz	
4	Frequency Range	4-40KHz	
5	Min Sensitivity	88dB	at 5Vp-p 20kHz/30cm
6	Min Sensitivity	95dB	at 5Vp-p 20kHz/30cm
7	Case Material	ABS	Black
8	Operating Temperature	-20℃~+60℃	
9	Storage Temperature	-30℃~+70℃	
10	Weight	3.3±0.5g	
11	Note		

Frequency Response Curve

5VRms Sine Wave 30CM,

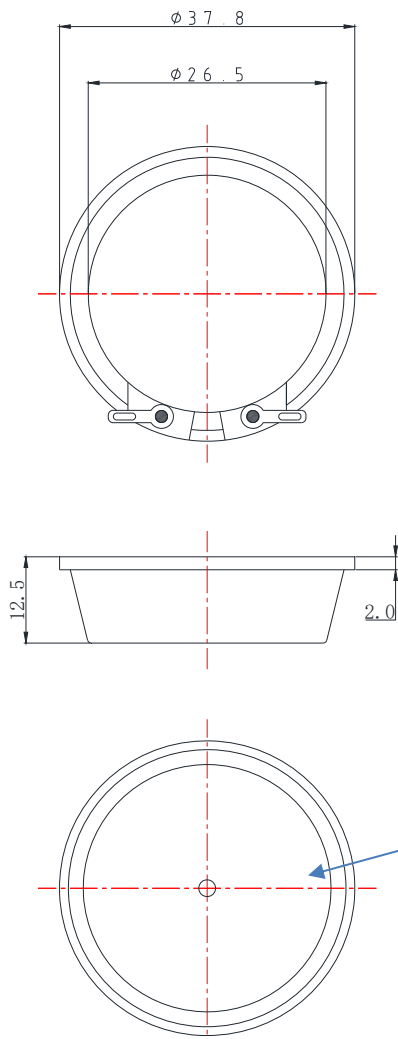


Specification for Siren

Model No. VCT3813M

Drawing No. VS20231226018

Dimensions:



Mylar

Unit : mm
Tolerance : ± 0.2