

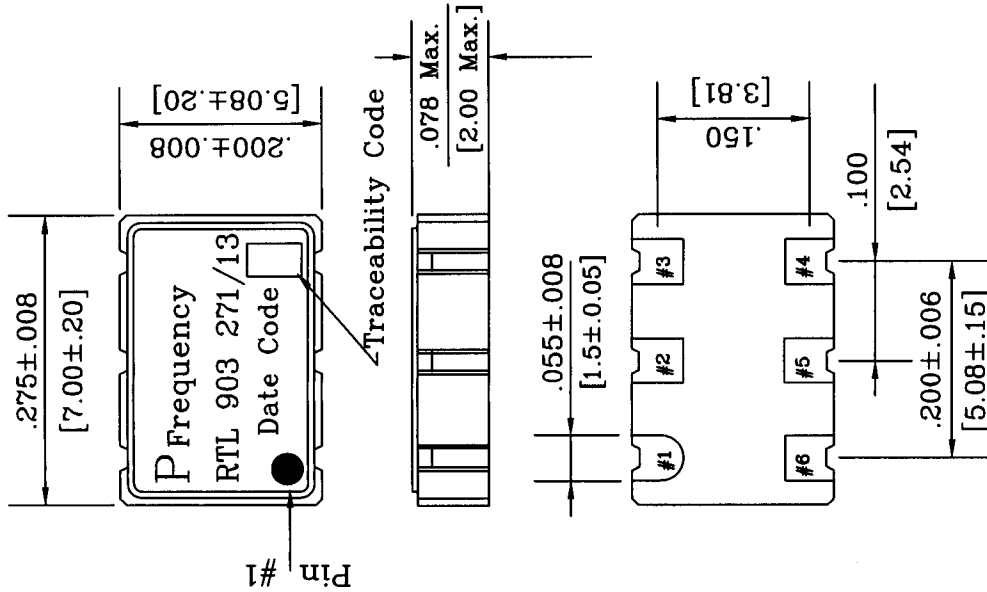
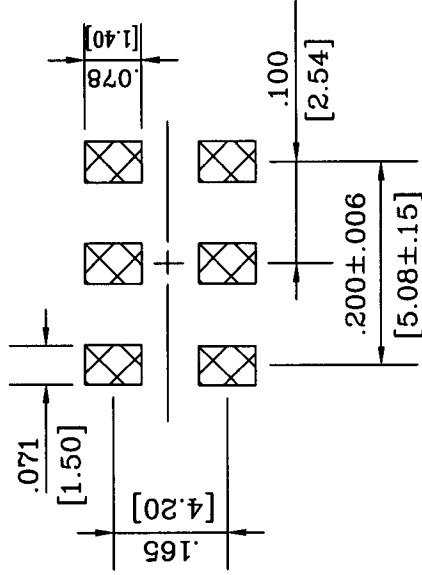
DATE	SYM	REVISION RECORD	AUTH.	DR.	CK.

PIN	CONNECTION
1	Voltage Control
2	No Connect
3	Ground/Case
4	Output
5	No Connect
6	Supply

**Electrical Specifications**

1. Frequency: 20.4081942Mhz
2. Duty: 40%/60%
3. Output Load: HCMOS/TTL w/Squarewave Output
4. Supply Voltage: +5.0Vdc±5%
5. Control Voltage: +0.5Vdc Min. to +4.5Vdc Max.
5. Supply Current: 25.0mA Max.
6. Operating Temperature: -0 to 85°C  
Storage Temperature: -55 to +125°C  
Operable Temperature: -40 to +85°C
7. Rise Time: 8.0nS Max. 4.0 Typ.
8. Fall Time: 7.0nS Max. 4.0 Typ.
9. Start up Time: 5.0mS Max.
10. Temperature Stability: ±13.0ppm @ 0 to 85°C
11. Aging Stability: ±1ppm/year
12. Linearity: 5% Max.
12. Modulation BW: 20.0kHz Min.
13. Pullability: 65.0ppm Min., 100.0ppm Max.
14. Input Impedance: 10.0k ohms. Min.
13. Phase Noise  
-60.0dBc/Hz @10Hz  
-90.0dBc/Hz @100Hz  
-120.0dBc/Hz @1kHz  
-140.0dBc/Hz @10kHz
14. Total Frequency Tolerance: ±25ppm  
(includes temp. stability, supply, load aging, & 25°C)
15. Fan Out TTL (Min.): 2 TTL  
Fan Out HCMOS (Min.): 50.0pf

**Recommended Land Pattern**



PRECISION DEVICES INC.		SCALE		DRAWN BY J. Bender	
TOLERANCES (EXCEPT AS NOTED)		N.T.S.		APPROVED BY T.G.S.	
DECIMAL +/-	Tolerance: Decimal: ±.008 Metric: ±[.20]	TITLE			
FRACTIONAL +/-		Final Assembly			
ANGULAR +/-		DATE	DRAWING NUMBER	(FKA 5025)	
		09/08/03	VC7N20408XLASXX		