



广州市番禺奥迪威电子有限公司
Audiowell Electronics (Guangzhou) Co., Ltd.
 地址: 中国广东省广州市番禺区迎宾路东升工业区 邮政编码: 511400
 Add: Dongsheng Industrial Park, Yingbin Road, Panyu, Guangzhou 511400, China
 Tel: +86-20-84802041 84802405 84871595 34516785 Fax: 84665207



承 认 书

SPECIFICATION FOR APPROVAL

客 户 _____
 CUSTOMER _____
 奥迪威产品编号 _____
 AUDIOWELL P/N _____
 品 名 UP0021-000 规格型号 FB01T06-UP0021-000Z
 Name _____ Model _____
 数 量 _____ 日 期 _____
 QUANTITY _____ DATE _____

UP0021-000 雾化模组 明细 UP0021-000 SPECIFICATIONS			
1. 品名	Name		
2. 规格型号	Model		
3. 组件	Components		
4. 外观尺寸	Appearance and dimension		
5. 连接图	Connect Components		
6. 功能	Function		
7. 性能参数	Electrical specification		
8. 操作环境	Operating Environment		
9. 注意事项	Notice		
10. 修订记录	Revision history		
客户签认 CUSTOMER APPROVAL	承认 APPD.	承认章 COMPANY CHOP	
产品确认 PRODUCT VERIFY	制作 DWN.	审核 CHK.	核准 APPD.

注: 承认书一式两份, 请返回一份 Specification in duplicate, please sign back for our file

广州市番禺奥迪威电子有限公司

AUDIOWELL ELECTRONICS (GUANGZHOU) CO. LTD

广州番禺市桥镇迎宾路东升工业区

DONG SHENG INDUSTRIAL PARK, YINGBIN ROAD,

PANYU, GUANGZHOU, CHINATEL: (020) 84871596 FAX: (020) 84665207 Http: //www.audiowell.com

产品规格书

SPECIFICATION

1、产品名称(Name): **UP0021-000**

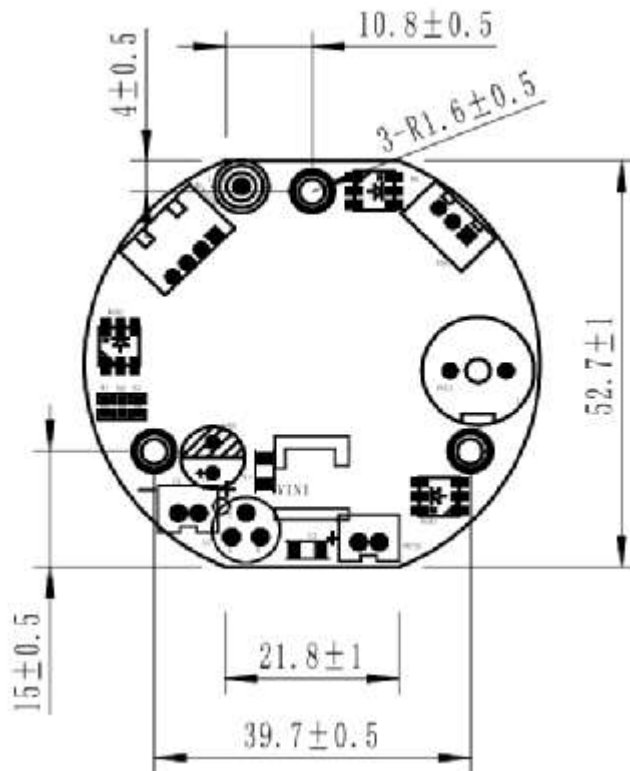
2、产品型号(Model): **FB01T06-UP0021-000Z**

3、组件 Components

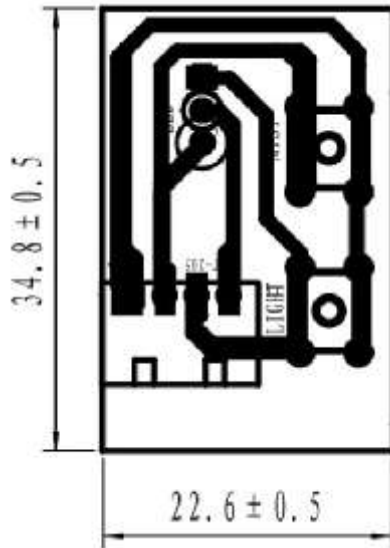
组件 Components	规格 (mm) Model	数量 Quantity(PCS)	备注 Remarks
线路板 226 PCB226	UP-193-UP0021Z	1	雾化板 Atomizing board
线路板 239 PCB239	UP-206-UP0021Z	1	按键板 Button board
HL0014-020	AW16Y20083M2L167J15Z-01	1	雾化片 Ceramic disc
Wire lead L219	PH2.54-R&B130-DC5.5	1	DC 线 DC wire
Wire L132	4PH2.54-26#W80-4PH2.54	1	4PIN 排线 4PIN flat cable

4、外观尺寸 Appearance and dimension (Unit :mm)

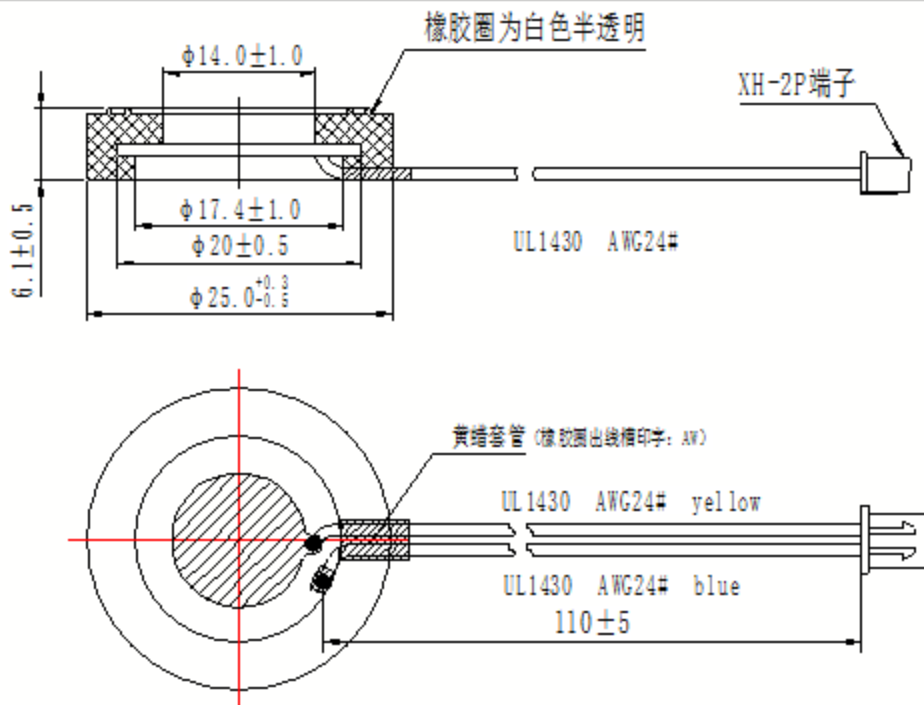
(1) 线路板 **226** PCB226



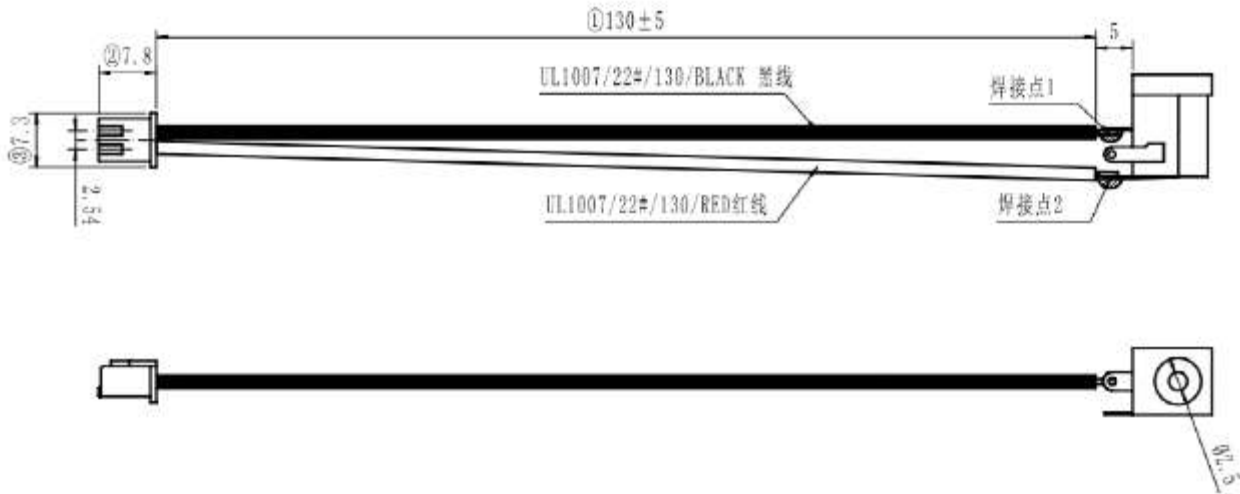
(2) 线路板 **239** PCB239



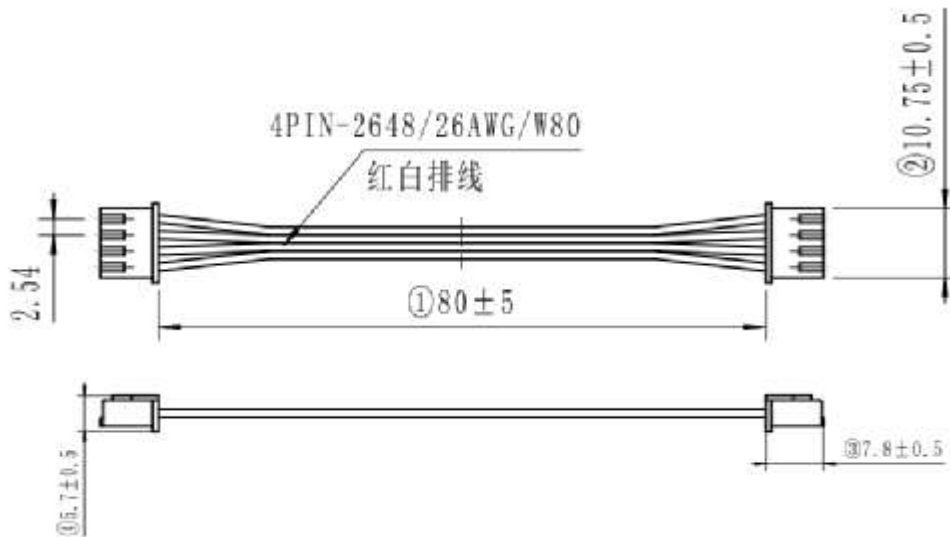
(3) HL0014-020



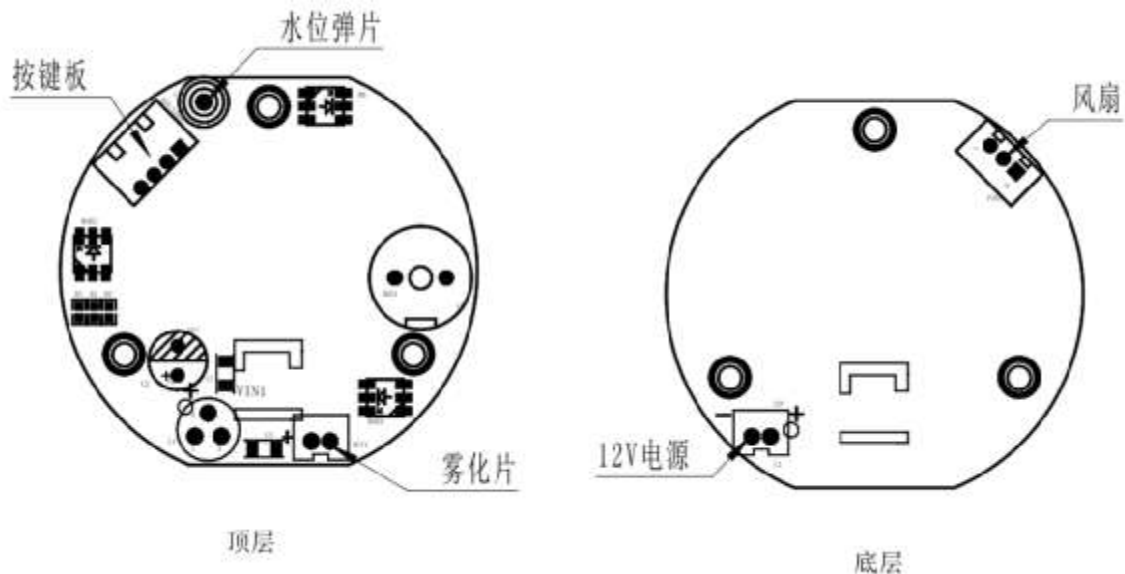
(4) 端子导线 L219 Wire lead L219



(5) 连接线 L132 Wire L132



5、连接图 Connect Components



6、功能 Function

(1) 雾化功能, Atomizing function

间歇模式: 绿灯亮, 雾化 30S、停雾 30S, 依次循环;

Interim Mode: green light on, atomizing for 30s, stop for 30s, and followed by recycling.

连续模式: 红灯亮, 连续雾化;

Continuous Mode: red light on, continuously atomizing.

(2) 七彩灯功能, Chromatic lamp function

14 种模式: 七彩灯交替变化、维持渐变的即时颜色、绿、浅绿、蓝、浅蓝、红、浅红、黄、浅黄、紫、浅紫、青、浅青、白、浅白, 可通过按键选择 LED 模式;

14 modes: chromatic lamp crossfade with color green, light green, blue, light blue, red, light red, yellow, light yellow, purple, light purple, cyan, light cyan, white and light white.

Color can be changed by pressing button.

(3) 水位检测功能 Water level detecting function

检测到无水, 自动关机; Automatically turn off if no water was detected.

7、性能参数(Electrical specification):

电源要求 Power Parameter	DC :12±0.5V/1A	额定功率 (12V) Rated Power	8-9.5W
雾化片频率 Transducer Frequency	2.45±0.1MHz	雾化量 Atomizing volume	20-30mL/h



8. 操作环境 Operating Environment

操作温度 Operating Temp	10°C~50°C	贮存温度 Storage Temp	-10°C~70°C
操作湿度 Operating Humidity	<80%	/	/

9. 注意事项 Notice

- (1) 雾化片要定期清洗，不可有太多水垢；
- (2) 雾化片属易碎产品，强烈的振动或撞击可能会损坏，请小心安装；
- (3) 请勿将线路板空载工作，以避免产品性能出现衰退。
- (4) 产品工作温度为 10°C-50°C，推荐在 25°C 以上工作。
- (5) 工作时禁止液体沾到线路板表面，防止短路危险。

NOTE:

- (1) The piezo shall be cleaned regularly, make sure there is less scale on it.
- (2) The piezo is fragile, may be damaged by strong vibration or impact. So please install carefully.
- (3) Non-load operation is not allowed, in case of the decay of its performance
- (4) The appropriate working temperature for the piezo is 10-50°C, it is recommended to work above 25°C.
- (5) Make sure the surface of the circuit board is dry during operation, so as to avoid short circuit.

10. 修订记录 Revision history

文件修订记录 File revision history			
修订时间 Revsion time	修订版本 Version of revision	内部 ECR 编号 The number of ECR	修订内容 Contents of revision
2014-5-8	A1	/	新建规格书



广州市番禺奥迪威电子有限公司
Audiowell Electronics (Guangzhou) Co., Ltd.

地址: 中国广东省广州市番禺区迎宾路东升工业区 邮政编码: 511400
Add: Dongsheng Industrial Park, Yingbin Road, Panyu, Guangzhou 511400, China
Tel: +86-20-84802041 84802405 84871595 34516785 Fax: 84665207



制作/日期 Accomplished by/Date		确认/日期 Approved by/Date	
-------------------------------	--	---------------------------	--