

TSS-5032B SERIES

SMD Type Crystal Units for Automobile Application

■Feature

Designed for shock intensive automotive applications such as remote keyless entry or advanced chassis control system. Six point PCB attachment for ultimate component adhesion. Common standard 5.0×3.2mm package size. Hermetic sealing by seam welding. TSS-5032B and TSS-5032B-2 are for tight frequency tolerances. TSS-5032B-4 type for highest shock resistance. Product is lead free in construction. Can be mounted to PCB using a lead free solder reflow process.

Now printing

■Standard Specifications

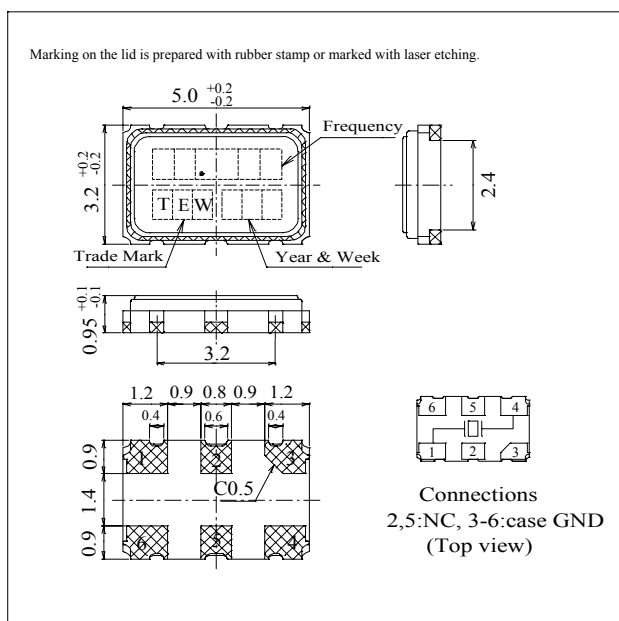
Size (mm)	5.0×3.2, 0.95±0.1	
Overtone Order	Fundamental / 3rd Overtone	
Frequency Range (MHz)	Fundamental / 3rd Overtone	10 ~ 60 / 60 ~ 100
Equivalent Series Resistance (Ω)	Fundamental / 3rd Overtone	30 ~ 150 / 60 ~ 100
Drive Level (μW)	50	
Operating Temperature Range	See Table 1	
Frequency Temperature Characteristics (in reference to 25 °C)	See Table 1	

■Table 1 Frequency Temperature Characteristics

* Products with specific requirements are available

Temperature Range	Temperature Characteristics(×10 ⁻⁶)		Frequency Tolerance(×10 ⁻⁶)	
	5032B, 5032B-2	5032B-4	5032B, 5032B-2	5032B-4
-30 ~ 85 °C	±15	-	±10 ~ ±50 (25 °C ± 3°C)	±50 (25 °C ± 3°C)
-40 ~ 90 °C	±25	-		
-40 ~ 105 °C	-	±100		
-40 ~ 125 °C	-	±150		

■Outline Dimensions



■Reference Land Pattern

