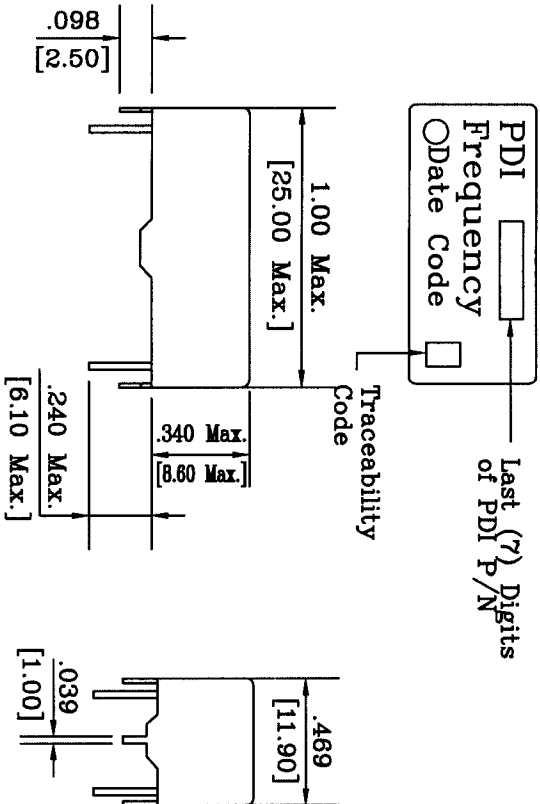


DATE	SM	REVISION RECORD	AUTH.	DR.	CK.

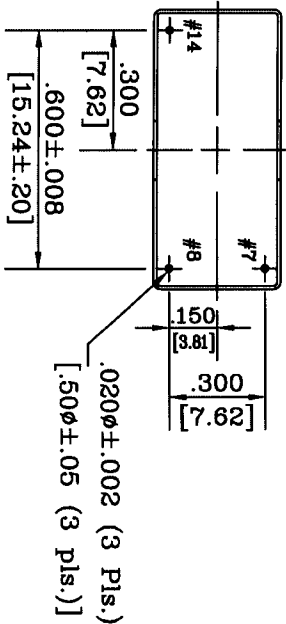


PDI Frequency Date Code

Last (7) Digits of PDI P/N

Traceability Code

- ELECTRICAL SPECIFICATIONS:**
- Center Frequency: 5.120000 Mhz (Tunable with VCO=0 to 5V)
 - Supply: +5.0Vdc±5% (15.0mA Max. @+5.0Vdc)
 - Temperature Stability: ±1.0ppm, 0°C to +50°C (Relative to the frequency at 25°C)
 - Frequency Adjust: ±15.0ppm, VCO=0V to 5V
 - Output Level: Logic "1": 2.4V min., Logic "0" 0.5V max.
 - Symmetry: 50%±10% @1.4V Level
 - Rise and Fall Time: 15.0nSec Max.
 - Load: 6TTL
 - Operating Temperature Range: 0°C to +50°C



PIN	CONNECTION
7	Grd
8	Output
14	Supply Voltage

TOLERANCES (EXCEPT AS NOTED)	PRECISION DEVICES INC.			
DECIMAL	Tolerance: Decimal: ±.008 Metric: ±.20	SCALE N.T.S.	DRAWN BY <i>J. S. [Signature]</i>	APPROVED BY <i>[Signature]</i>
FRACTIONAL	TITLE Temperature Compensated Crystal Oscillator			
ANGULAR	DATE 2/19/03	DRAWING NUMBER TCC2405120XBLLXX		(FKA 17475)