



Data Sheet
932MHz SAW 3030
SPT932M30E

V1.0

Features:

- Ceramic Package for Surface Mounted Technology (SMT)
- RoHS compatible
- Package size 3.00x3.00x1.25mm³
- Electrostatic Sensitive Device(ESD)

Specifications:

- Operation Temperature:-40°C to +85°C
- Compact miniature size
 - 3.0 mm × 3.0 mm footprint
 - 1.25 mm max-height

Applications:

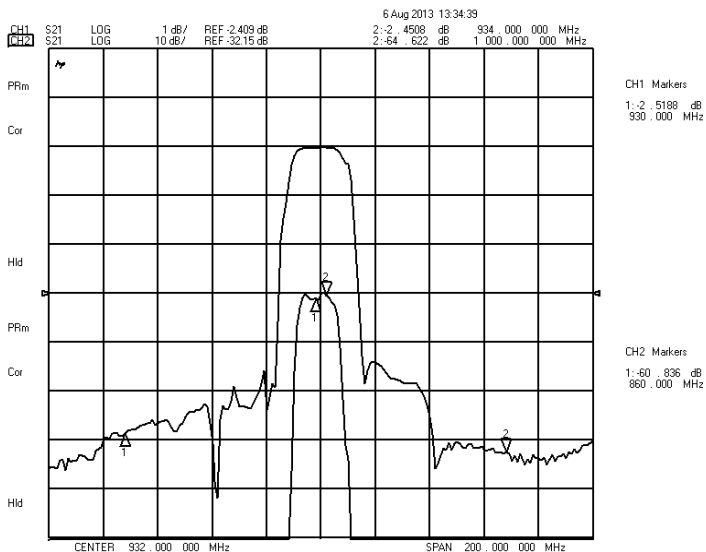
- Low-loss SAW component
- Low amplitude ripple
- Sharp rejections at both out-bands
- Usable passband 4.0 MHz

Electrical Specifications. Test Temperature: 25°C±2°C

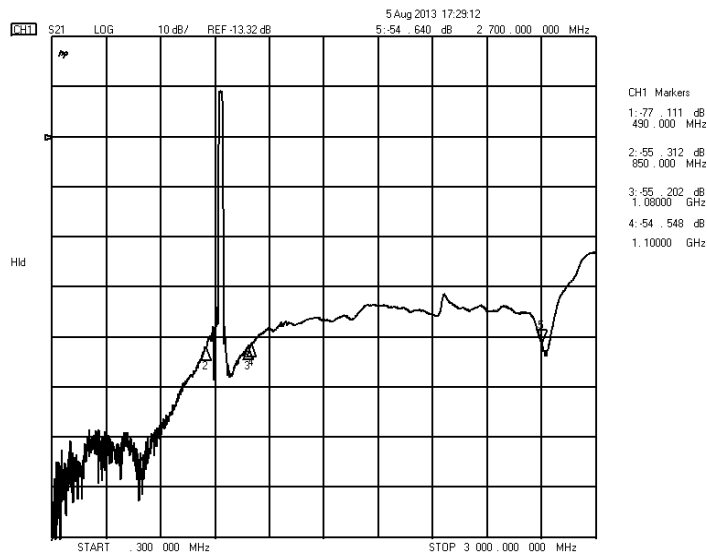
Item		Minimum	Typical	Maximum	Unit
Center Frequency	fc		932.00		MHz
Insertion Loss(min)	IL		2.5	3.2	dB
Insertion Loss	930.00-934.00MHz	IL	2.7	3.5	dB
Amplitude Ripple (p-p)	930.00-934.00MHz	$\Delta\alpha$	0.6	1.0	dB
Group Delay Ripple	930.00-934.00MHz	GDR	10.0	30.0	ns
Absolute Attenuation	α				
	DC - 490.00 MHz	50.0	55.0		dB
	490.00 -850.00 MHz	45.0	50.0		dB
	850.00 -860.00 MHz	45.0	50.0		dB
	1000.00-1080.00MHz	45.0	50.0		dB
	1080.00 -1100.00 MHz	50.0	53.0		dB
	1100.00 -2700.00 MHz	35.0	40.0		dB
	2700.00 -3000.00 MHz	25.0	30.0		dB
Input VSWR	930.00-934.00MHz		1.5:1	2.0:1	/
Output VSWR	930.00-934.00MHz		1.5:1	2.0:1	/

Frequency Characteristics.

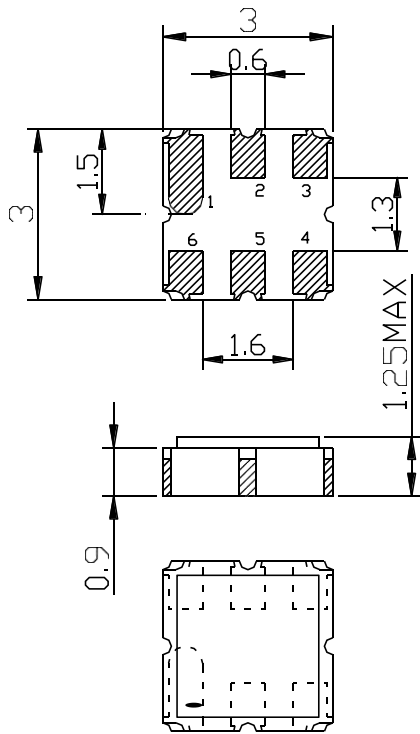
Frequency Response



Frequency Response (wideband)

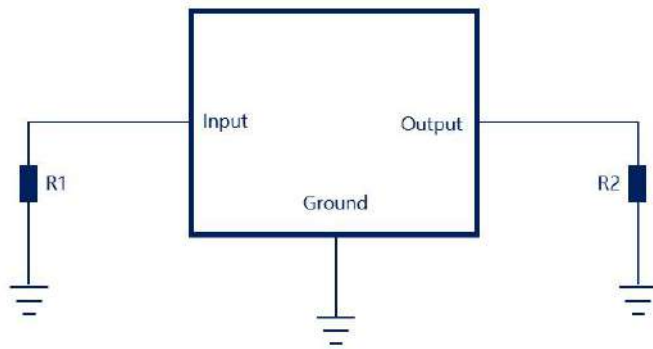


Package & Dimensions



Pin No.	Description
2	Input
5	Output
1,3,4,6	Ground

Matching



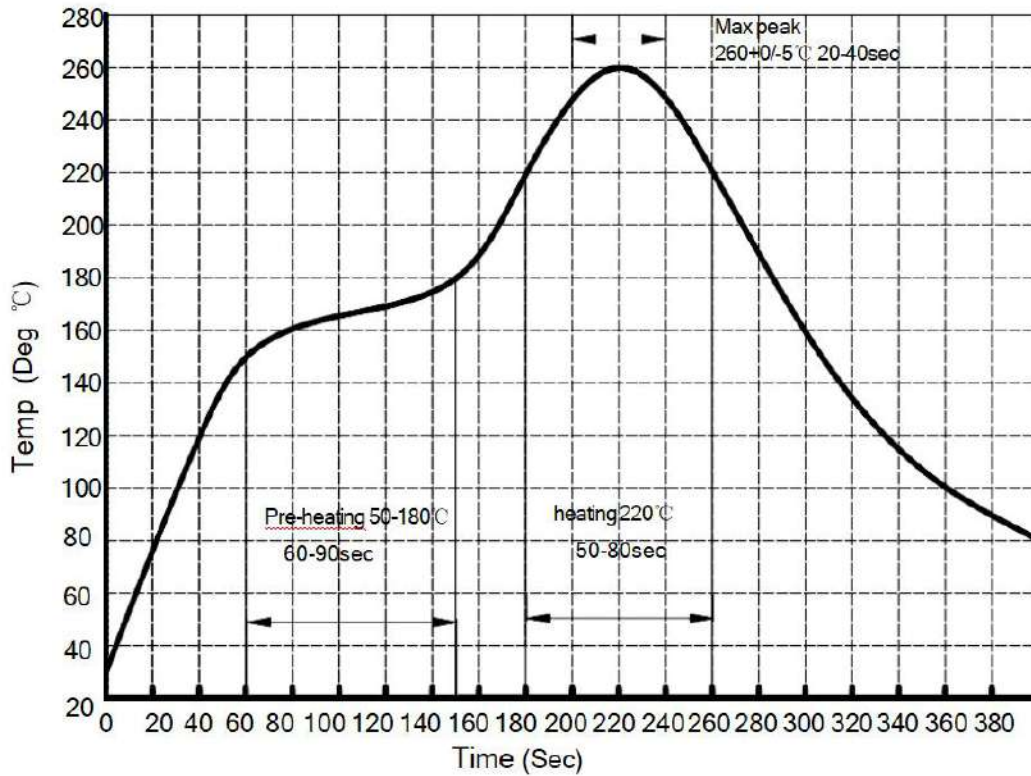
Port	Matching Component ¹
Input	R1: 50Ω
Output	R2: 50Ω

Matching component values shown are recommended based on the Spectron evaluation board. Value adjustment may be required on the end-user's circuit boards for the selected component manufacturer and PCB material.

Maximum Ratings

Item		Value	Unit
DC Voltage	V _{dc}	5	V
Operation Temperature	T	-40 ~ +85	°C
Storage Temperature	T _{stg}	-40 ~ +85	°C
RF Power Dissipation	P	20	dBm

Recommended Reflow Soldering Diagram



Ordering Information

Part Number	Number of Devices	Container
SPT932M30E	1000pcs	Tape and Reel

