

FEATURE

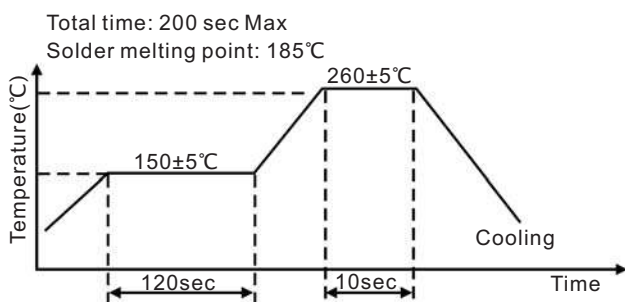
- Small SMD seam sealed clock crystal oscillator units.
- High precision characteristic covering up to wide frequency range.
- For applications in wireless communication, PC, and LCDM.
- Tri-state function available.
- RoHS Compliant / Pb Free..



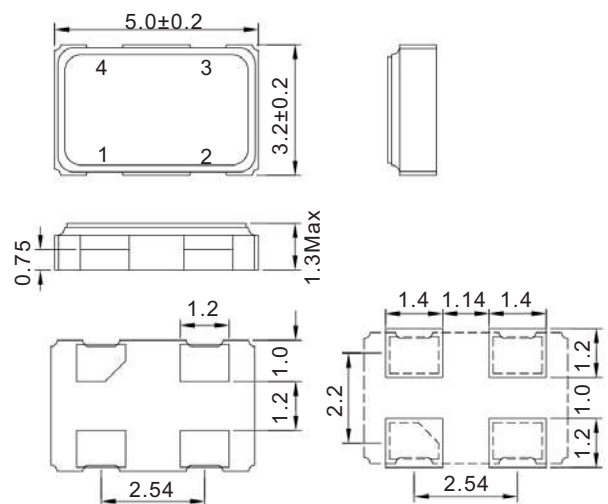
ELECTRICAL SPECIFICATIONS

Frequency Range		1.000MHz ~ 150.000MHz	
Overall Frequency Stability		±25ppm ~ ± 100ppm (Inclusive of Operating Temp, Supply Voltage & Load)	
Operating Temperature		-10°C ~ +60°C to -40°C ~ +85°C	
Storage Temperature		-40°C ~ +85°C / -55°C ~ +125°C	
Supply Voltage		5.0V	1.8V 2.5V 3.3V
Input Current Max	1.000~35.999MHz	25mA	20mA
	36.000~69.999MHz	60mA	40mA
	70.000~150.000MHz	80mA	60mA
Output Voltage	V _{OL} (Max) TTL/HCOMS	0.4V _{DC}	0.4V _{DC}
	V _{OH} (Min) TTL/HCOMS	2.4V _{DC} /2.7V _{DC}	2.4V _{DC} /2.7V _{DC}
Symmetry (Duty Cycle)		40/60% Std. / 45/55% Available	
Rise/Fall Time		10ns Max <5ns Typical	
Start Time		10ms Max <5ms Typical	
Aging @25°C 1 st year (Max)		±3ppm, ±5ppm/year	
Output Load		10TTL or 15pF HCMOS	
Tri state Function (Pin 1 has internal pull-up resistor allowing it to be left floating high.)		V _{IH} : 2.2V or Open Enables Output	
		V _{IL} : 0.8V or Disables Output	
Output Enable/ Disable Time		100ns Max	

DIMENSIONS & WAVEFORM CONDITION & REFLOW CONDITION



PIN	Connection
1	N.C / Tri-State
2	GND
3	Output
4	V _{DD}



PART NUMBER

SOC5-	25.000	-	50	-	3.3V	-	B	-	TRI
	Frequency 25.000MHz		Overall Freq. Stability 50ppm		Supply Voltage 5:5.0V 3.3:3.3V		Operating Temp B:-10~60°C A:-20~70°C E:-40~85°C		Option: TRI:Tri state