



ELECTRICAL SPECIFICATION

Frequency Range	8.0000 to 40.000 MHz
Load Capacitance	10pF to series
Frequency Tolerance (at 25°C)	±10PPM-50ppM
Oscillation Mode	Fundamental, Third Overtone
Frequency Stability in Temperature	±10ppM-50ppM
Operating Temperature Range	-20°C to +70°C Standard (or Optional)
Storage Temperature Range	-55°C to +125°C
Equivalent Series Resistance (ESR)	See ESR Table
Drive Level	10-100uW
Shunt Capacitance	7pF Maximum
Aging (at 25°C)	±3ppM per year
Insulation Resistance	500 MOhm Minimum

FREQUENCY RANGE AND OSCILLATION MODE

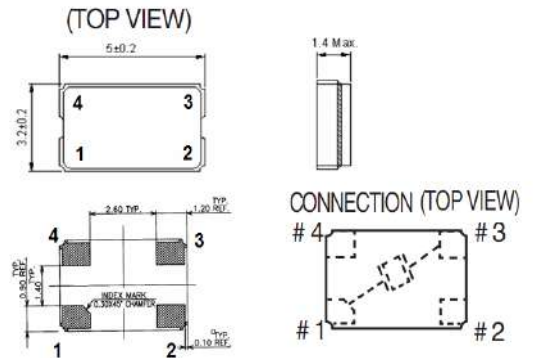
Fundamental (F)	8.0000 to 36.000MHz
Third Overtone (3OT)	30.000 to 40.000MHz

ESR TABLE (Ohms)

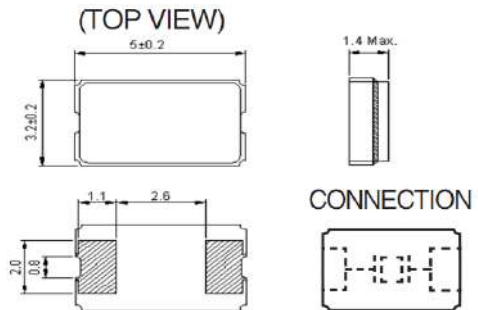
8.000 to 16.000MHz	AT Fundamental	80Max
16.000 to 36.000MHz	AT Fundamental	60Max
30.000 to 40.000MHz	3RD overtone	100Max

MECHANICAL DIMENSIONS (all in mm)

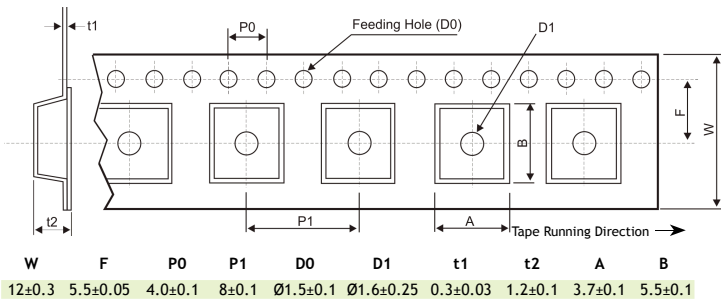
4Pads:GLASS SEAL



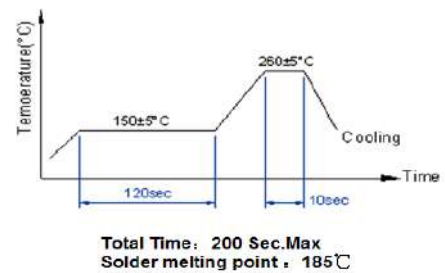
2Pads:GLASS SEAL



TAPE SPECIFICATIONS (all in mm) - Carrier Tape Dimensions



SOLDERING



PART NUMBERING SYSTEM (Example)

SMG0503- 12.000 -F-20-30-30-A

