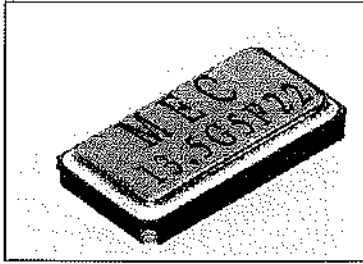
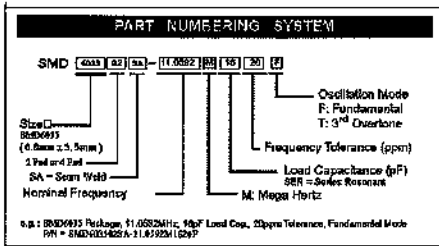


SMD6035 SEAM WELD TYPE CRYSTAL RESONATOR



SMD SEAM SEALING X TAL 6.0*3.5 (4 PADS, 2PADS)



Lead-Free

● Application

Radio communication, Audio-visual equipment, Office automation equipment, Consumer product...

● Specification

Frequency range	See table 1
Vibration mode	AT cut; fundamental. Third
Frequency tolerance at 25 °C	±10, ±15, ±20, ±30, ±50ppm
Operating temperature range and frequency stability	See Table2
Equivalent series resistance	See Table1
Shunt capacitance	5.0pF max or special
Measure instrument	S&A 250B PI system
Load capacitance	Series, 16, 20, 30pF or special
Drive level	10, 100, 300, 500µW or special
Insulation resistance	500 M Ω min/DC 100V
Aging	±1, 3, 5ppm/year
Storage temperature range	-40~+85°C

● Table 1/Frequency range & Equivalent Series resistance

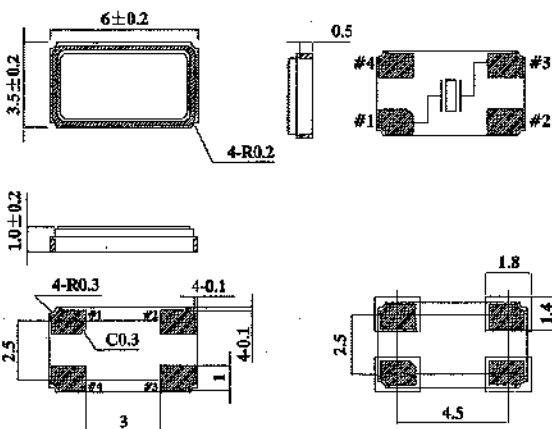
Frequency (Mhz)	Vibration mode	SX-6035 (Ω)
7.37~9.9	Fundamental/F	80
10.0~11.9	Fundamental/F	60
12.0~14.9	Fundamental/F	50
15.0~50.0	Fundamental/F	40
30.0~79.9	Third/O3	90
80.0~100.0	Third/O3	90
100.1~160.0	Third/O3	120

● Table 2/Operating temperature range and frequency stability

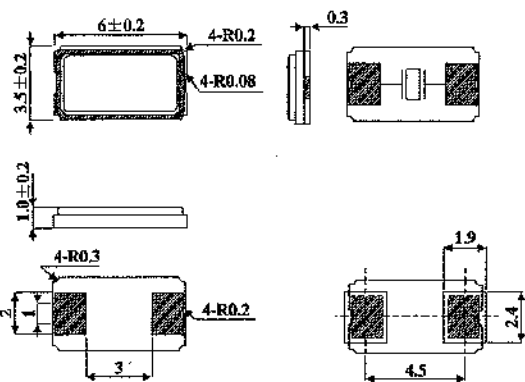
PPM TEMP	±5	±10	±20	±30	±50
-0~+50°C	☉	☉	☉	☉	☉
-10~+60°C	☉	☉	☉	☉	☉
-20~+70°C		☉	☉	☉	☉
-30~+80°C		☉	☉	☉	☉
-40~+90°C			☉	☉	☉

The mark "☉" denotes our achieved level

● Dimension & Land pattern (unit: mm)



SEAM 6035 4PADS

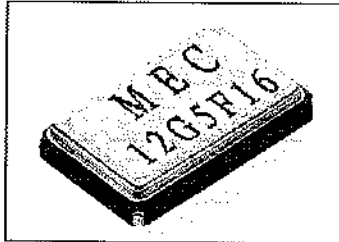
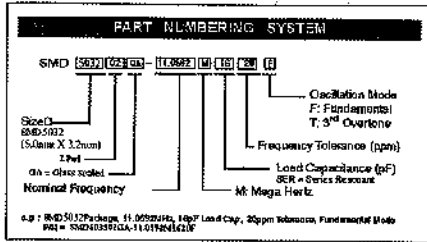


SEAM 6035 2PADS

SMD5032 SEAM WELD TYPE CRYSTAL RESONATOR



SMD SEAM SEALING X'TAL 5*3.2 (4 PADS, 2PADS)



Lead-Free

● Application

Radio communication, Audio-visual equipment, Office automation equipment, Consumer product...

● Specification

Frequency range	See table 1
Vibration mode	AT cut; fundamental, Third
Frequency tolerance at 25°C	±10, ±15, ±20, ±30, ±50ppm
Operating temperature range and frequency stability	See Table2
Equivalent series resistance	See Table1
Shunt capacitance	5.0pF max or special
Measure instrument	S&A 250B PI system
Load capacitance	Series, 16, 20, 30pF or special
Drive level	10, 100, 300, 500uW or special
Insulation resistance	500 MΩ min/DC 100V
Aging	±1, 3, 5ppm/year
Storage temperature range	-40~+85°C

● Table 1/Frequency range & Equivalent Series resistance

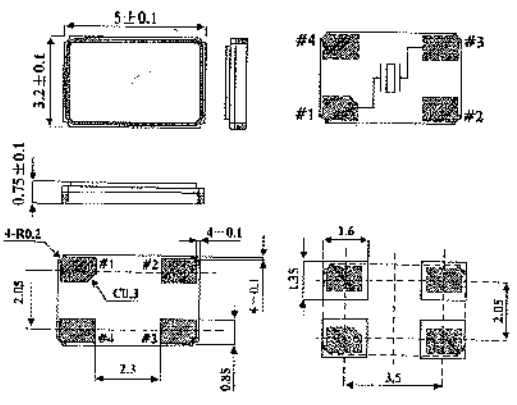
Frequency (Mhz)	Vibration mode	SX-5032 (Ω)
10.0~11.9	Fundamental/F	80
12.0~14.9	Fundamental/F	60
15.0~50.0	Fundamental/F	50
30.0~79.9	Third/O3	90
80.0~100.0	Third/O3	90
90.0~160.0	Third/O3	150

● Table 2/Operating temperature range and frequency stability

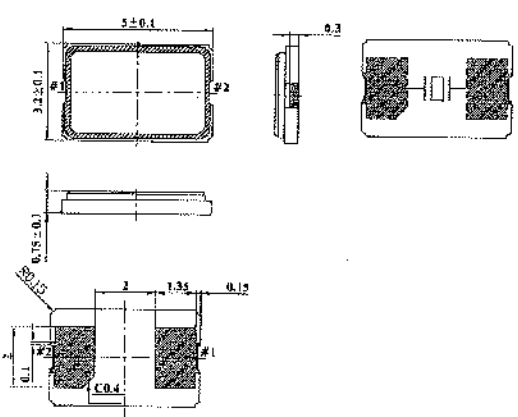
TEMP	PPM				
	±5	±10	±20	±30	±50
-0~+50°C	☉	☉	☉	☉	☉
-10~+60°C	☉	☉	☉	☉	☉
-20~+70°C		☉	☉	☉	☉
-30~+80°C		☉	☉	☉	☉
-40~+90°C			☉	☉	☉

The mark "☉" denotes our achieved level.

● Dimension & Land pattern (unit: mm)



SEAM 5032 4PADS



SEAM 5032 2PADS