

Specification for Horn Speaker	Page	2/10
	Revision No.	1.3
Model No. : SH-70AF20R8-4430	Drawing No.	KFC4430

CONTENTS

1. Scope
范围
2. General
概要
3. Electrical and Acoustic Characteristics.
电声参数
4. Reliability Test
可靠性试验
5. Measurement Block Diagram & Response curve
测试图与曲线图
6. Structure
结构
7. Dimensions
尺寸
8. Packing
包装
9. Cautions
警告
10. Cautions for Use
注意事项
11. Revision
履历表

Specification for Horn Speaker		Page	3/10
Model No. : SH-70AF20R8-4430		Revision No.	1.3
		Drawing No.	KFC4430

1. Scope

This product specification is applied to the Siren used for sounder in alarm systems. Please contact us when using this product for any other applications than described in the above.

本规格书适用于报警器，通常它用在系统中做报警或提示，如果将该产品用于其它领域，请与我们联系。

2. General

2.1 Out-Diameter : 76.5 mm

外径: 76.5 mm

2.2 Height : 42 mm

高度: 42 mm

2.3 length : 68mm

长度: 68 mm

2.4 Weight : 190± 10 g

重量: 190±10克

2.5 Operating Temperature range:

-30~+63°C without loss of function

工作温度: -30~+63°C

2.6 Store Temperature range:

-40~+85°C without loss of function

储藏温度: -40~+85°C

3. Electrical and Acoustic Characteristics.

Test condition : 15 ~ 35 °C, 25% ~ 85% RH, 860~1060 mbar

测试条件: 15~35 °C, 25%~85%RH, 860~1060mbar

	Items 项目	Specification 规格
1	Case Material/Color 壳体材质/颜色	PA66/Black
2	Voice Coil Impedance 音圈尺寸	Ø 25.5 mm(Dia.)
3	Power Rating RMS 额定功率	5W
4	Power Rating Peak 峰值功率	8W
5	Magnet size 磁体尺寸	Ø24.5*3.5 mm(Dia.*H)
6	Min.Sound Pressure Level 额定声压	MIn 100 dB(2.83v/1m1.8-3.5KHZ AVG)
7	Resonant Frequency 谐振频率	1.8KHz± 20%
8	Rated Frequency Range 额定频率范围	F0~5000HZ
9	Voice Coil Impedance 音圈阻抗	6.7± 0.4 Ohm(D.C.R20° C± 5%)
10	Max.Rated Current 额定电流	

Specification for Horn Speaker		Page	4/10
Model No. : SH-70AF20R8-4430		Revision No.	1.3
		Drawing No.	KFC4430

4. Reliability Test

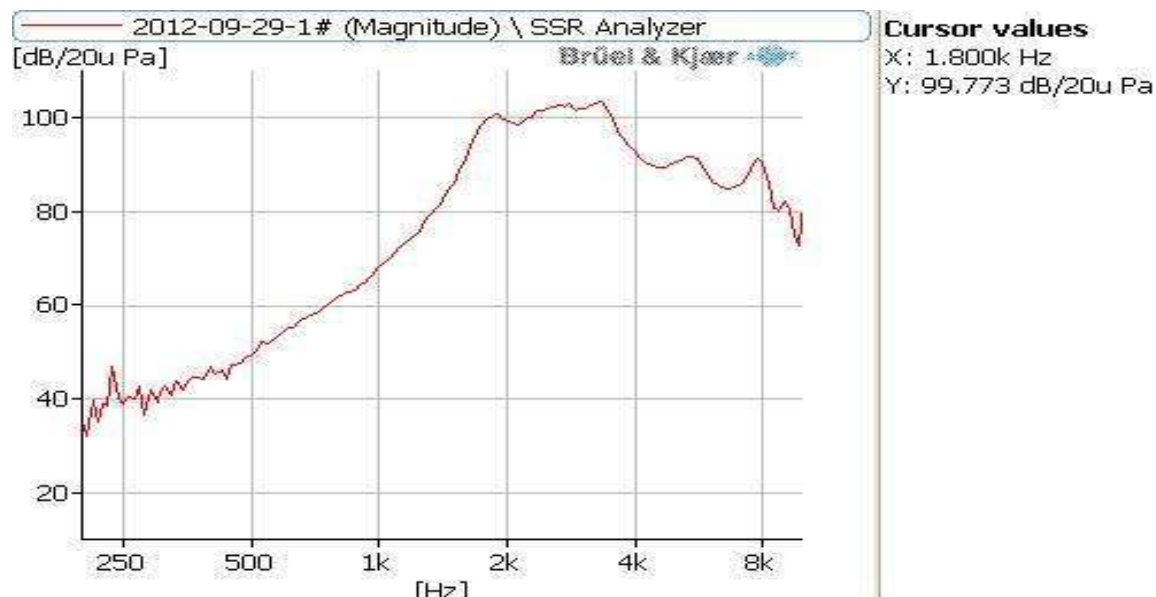
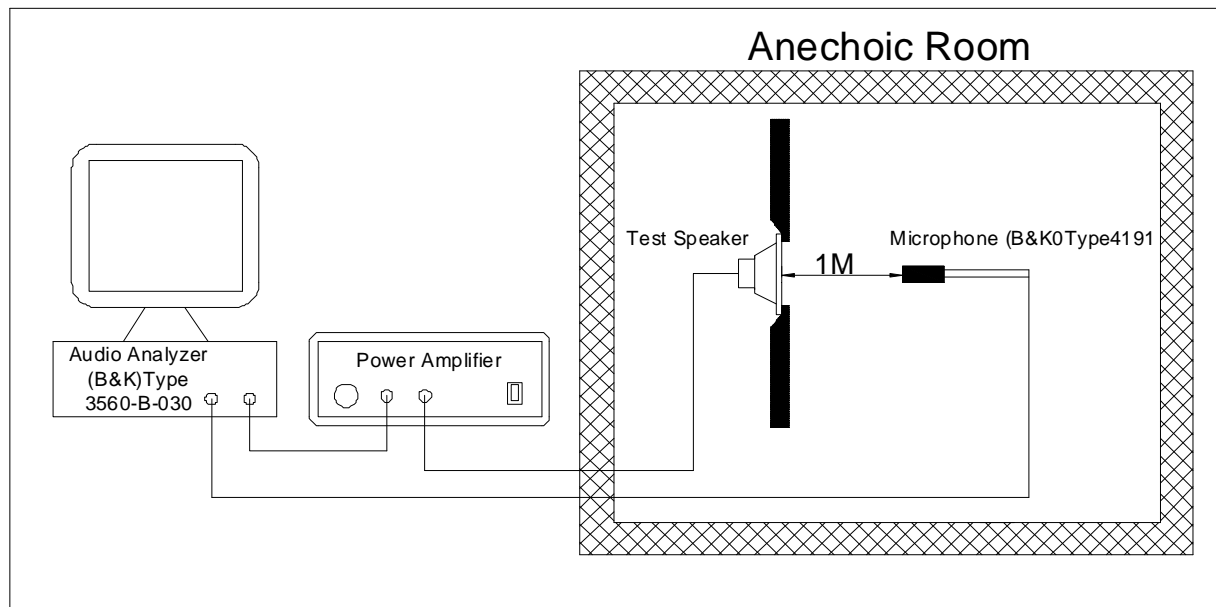
After test(1~5item), the Horn speaker appearance not exist any change to be harmful to normal operation(e.g.cracks,rusts,damages and especially distortion).

在1-5项试验后，报警器外观无变化（例如：开裂、生锈、损伤、变形等现象）。

Item	Specification	Judgement condition
1 Normal temperature ON/OFF Operation Endurance Test 常温开关通断试验	在常温中加载5W功率工作（20Hz~20kHz正弦波扫频信号，扫速为1s），进行250小时开关通断试验，每个开关周期为12s,开6s,关6s。 Applying power 5W（20Hz~20kHz,sine wave frequency scan signal,scan speed 1s)carry out operation patterns for 250 hours on/off operation,every on/off circle take 12 second,6s on and 6s off, 在常温条件下放置2小时，进行测量。 Put the samples in normal condition for 2 hours.sounder shall be measured.	SPL ± 3 dB
2 High Temperature Leaving & High temperature operation Endurance Test 高温放置和高温耐久试验	在温度 85±3℃，放置96小时。 Leaving the samples in the test chamber with temperature 85± 3℃ for 96 hours. 在常温条件一放置2小时,进行测量 Put the samples in normal condition for 2 hours， sounder shall be measured 在63± 3° C，用5W功率（20Hz~20kHz正弦波扫频信号，扫速为1s),连续工作48小时。 apply power 5W(20Hz~20kHz,sina wave frequency scan signal,scan speed 1s),temperature 65± 3° C,carry out operation patterns for 48 hours,sounder shall be measured 在常温条件下放置2小时,进行测量 put the samples in normal condition for 2 hours.sounder shall be measured	SPL ± 4 dB
3 Low Temperature Leaving & Low temperature operation Endurance Test 低温放置和低温耐久试验	在温度-40± 3° C,放置96小时 Leaving the samples in the test chamber with temperature -40± 3° C,for 96 hours 在常温条件下放置2小时，进行测量 Put the samples in normal condition for 2 hours.sounder shall be measured 在-30± 3° C，用5W功率（20Hz~20kHz正弦波扫频信号，扫速为1s），连续工作48小时。 apply power 5W(20Hz~20kHz,sine wave freuency scan signal,scan speed 1s),temperature -30± 3° C,carry out operation patterns for 48 hours 在常温条件下放置2小时，进行测量 Put the samples in normal condition for 2 hours	SPL ± 3 dB
4 High Temperature & Hig Humidity operation Test 高温高湿放置试验	在温度63± 3° C,湿度为95± 5%，放置96小时。 Leaving the samples in the test chamber with temperature 63± 3° C,humidity 95± 5% for 96 hours. 在常温条件下放置2小时，进行测量。 put the samples in normal condition for 2 hours.sounder shall be measured.	SPL ± 3 dB
5 Vibration & Drop Test 振动和跌落试验	在XYZ轴方向上以4.4G（43.1m/s ² ）加速度，1.5mm全振幅，33Hz的频率振动4小时。 Put the sampels in test equipment, vibrate at speed 4.4G(43.1m/s ²), vibration of amplitude 1.5mm ,33 Hz in X Y Z directions for 4hours. 在常温条件下放置2小时。进行测量 Put the samples in normal condition for 2 hours.sounder shall be measures 以1m的高度，分别在XYZ轴共6个方向上，各跌落3次，一共18次。 Natural drop the samples from height of 1m 3 times in each direction of XYZ. Total 18 times. 在常温条件下放置2小时。进行测量 . Put the samples in normal condition for 2 hours.sounder shall be measures	SPL ± 3 dB

Specification for Horn Speaker	Page	5/10
	Revision No.	1.3
Model No. : SH-70AF20R8-4430	Drawing No.	KFC4430

5. Measurement Block Diagram & Response curve



Specification for Horn Speaker Model No. : SH-70AF20R8-4430	Page	6/10
	Revision No.	1.3
	Drawing No.	KFC4430

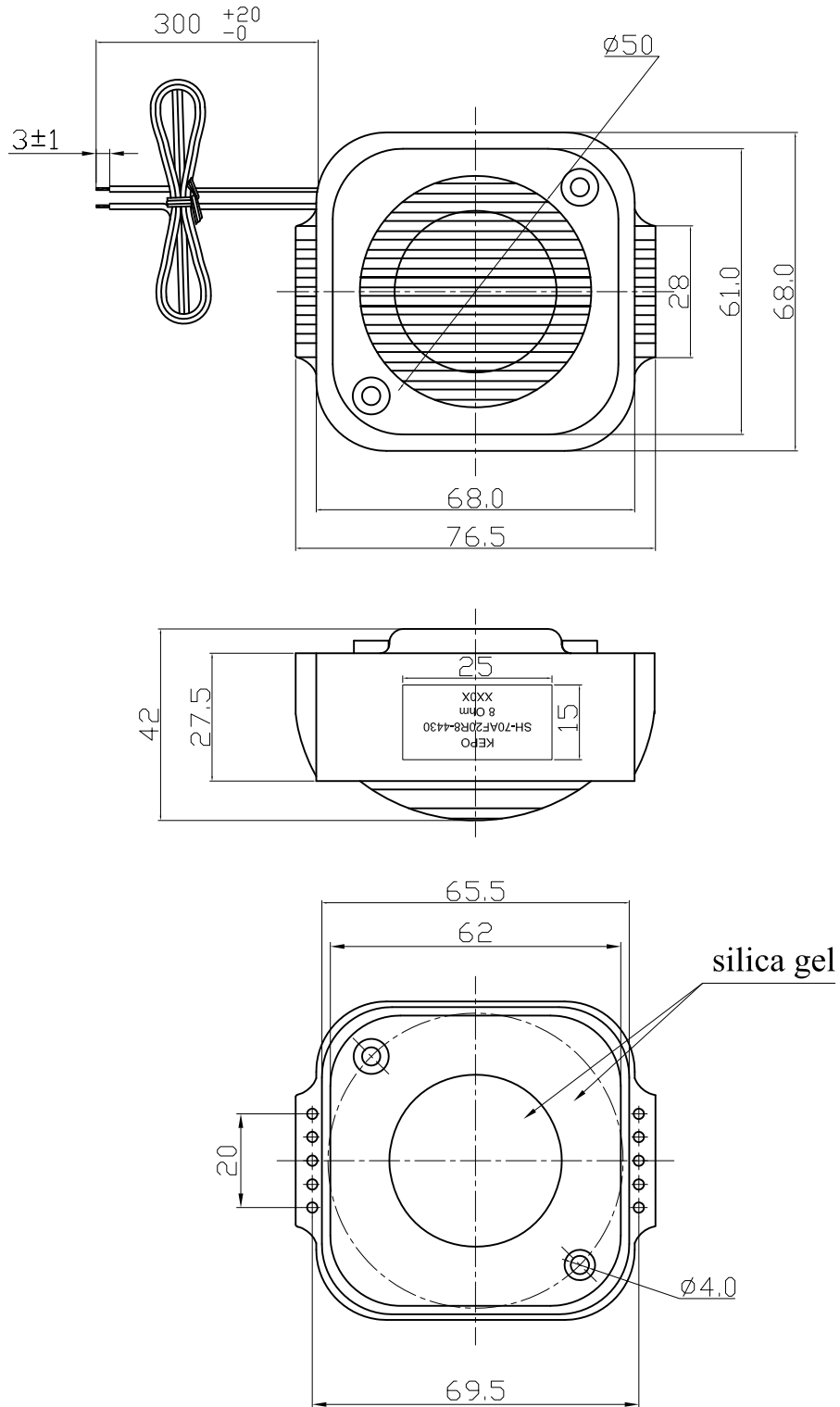
6. Structure



4				
3	WIRE 引线	2	UL1007 AWG 20# Black	
2	Housing material/color 壳体材质/颜色	1	PA66/Black	
1	Feed back cover 音反馈罩	1	PA66/Black	
No.	Part Name 型号	Q'TY	Material 材质	SGS 编号

Specification for Horn Speaker	Page	7/10
	Revision No.	1.3
Model No. : SH-70AF20R8-4430	Drawing No.	KFC4430

7. Dimensions



FIRST ANGLE PROJECTION



备注：印字内容根据生产任务单定（XX0X代表生产周期）

UNIT : mm

Tolerance : ± 0.5

Specification for Horn Speaker Model No. : SH-70AF20R8-4430	Page	8/10
	Revision No.	1.3
	Drawing No.	KFC4430

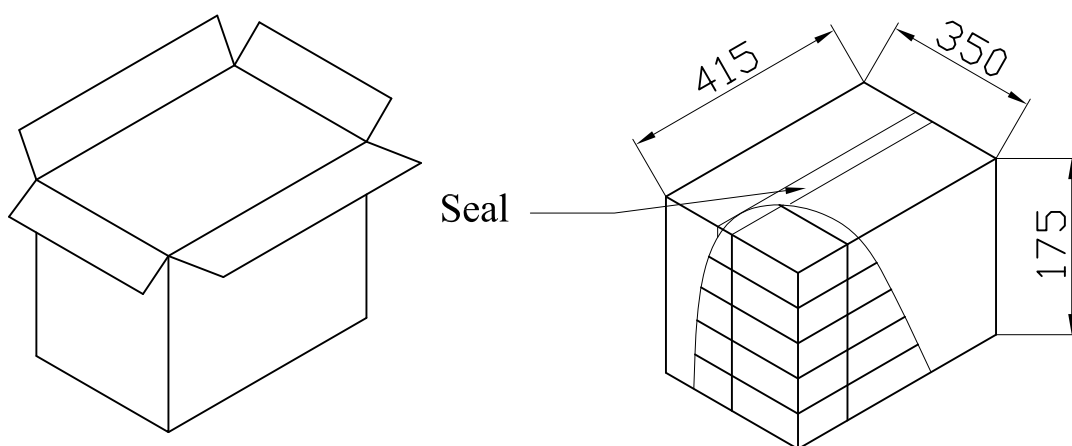
8. Packing

Each minimum package unit of products shall be in a carton box and it shall be clearly marked with Part Number, quantity and outgoing inspection number.

There shall be no mechanical damage on products during transportation and/or in storage.



内盒包装如图所示.



QTY: 50Pcs

415x350x175mm

外包装如图所示.

Specification for Horn Speaker		Page	9/10
Model No. : SH-70AF20R8-4430		Revision No.	1.3
		Drawing No.	KFC4430

9. 警告 Cautions

如果产品使用于下列高可靠性的装置时, 请与我们联系, 以免对人的生命, 财产和身体造成损害.

Please contact us before using our products for the undermentioned applications requiring especially high reliability in order to prevent defects which might directly cause damage to other party's life, body or property (listed below).

- (1) Aircraft equipment 飞行设备
- (2) Aerospace equipment 航天设备
- (3) Undersea equipment 潜水设备
- (4) Medical equipment 医疗设备
- (5) Transportation equipment (automobiles, trains, ships) 交通设施
- (6) Traffic signal equipment 交通信号设备
- (7) Disaster prevention/crime prevention equipment 防灾害/防犯罪设备
- (8) Data-processing equipment 数据处理设备
- (9) Applications of similar complexity or reliability requirements comparable to the applications listed in the above 以及与上述相类似或可靠性要求更高的设备

10. 注意事项 Cautions for Use

10.1 扬声器请在额定功率范围内使用, 超出额定功率使用可能导致损坏

Speaker must be used under rated power, and the speaker may be broken if it is used out of rated power.

10.2 扬声器应避开水或液体

Speaker must be kept away from water or liquid.

10.3 扬声器不宜置于高温、高湿条件下

Speaker can't be under the high temperature and high humidity

10.4 使用时扬声器应避开有腐蚀性的气体。

Keep away from caustic gas when using speaker,

10.5 请避免扬声器从高处跌落。

Don't drop the Speaker from altitude