

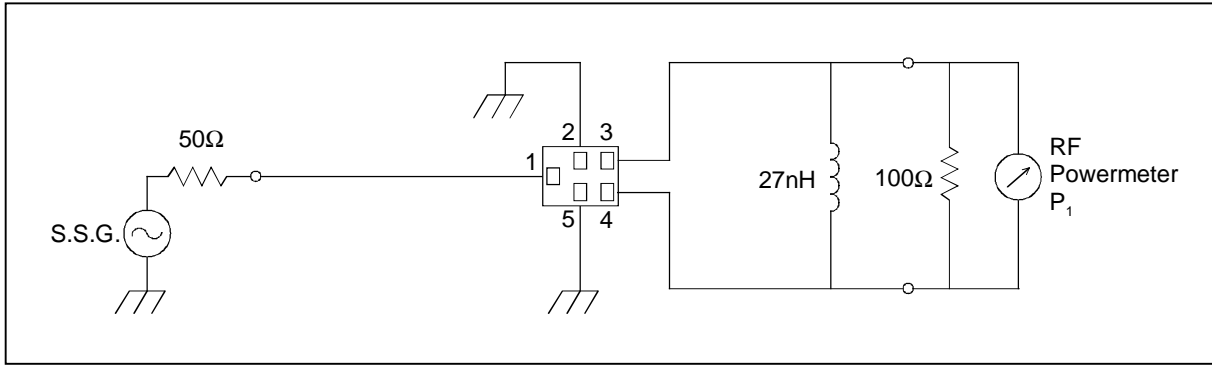
# SAW FILTER FOR W-CDMA (Rx)

Murata part number : SAFEB2G14FB0F00

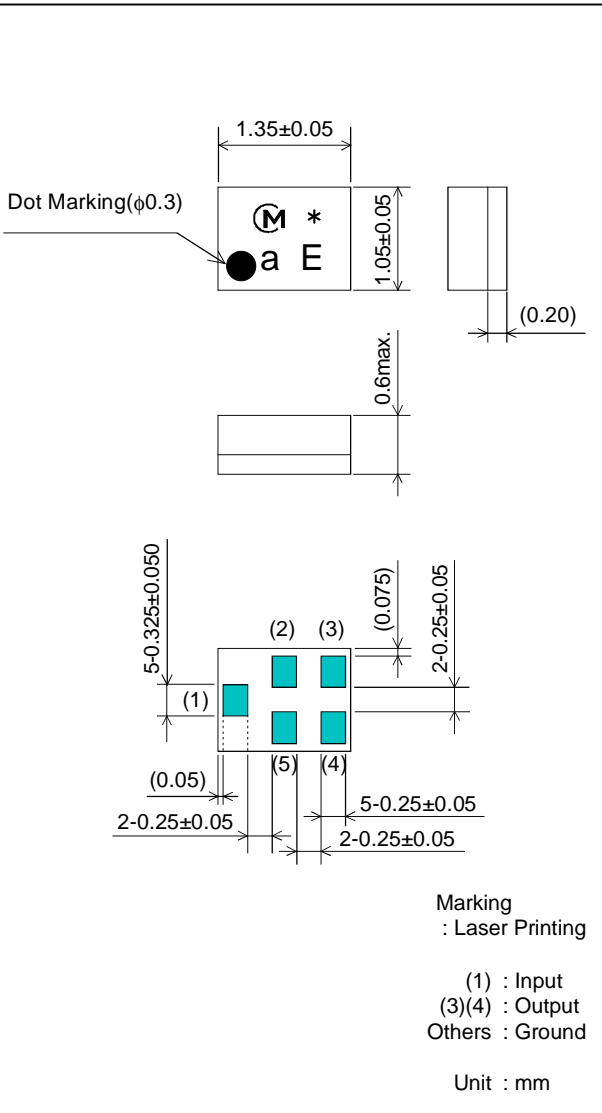
## Feature

1. Balance type (50Ω//100Ω)
2. Low Insertion Loss (2.5 dB max.)
3. High Selectivity (at 1920 to 1980 MHz ; 35 dB min.)

## Test Circuit



## Package Dimensions



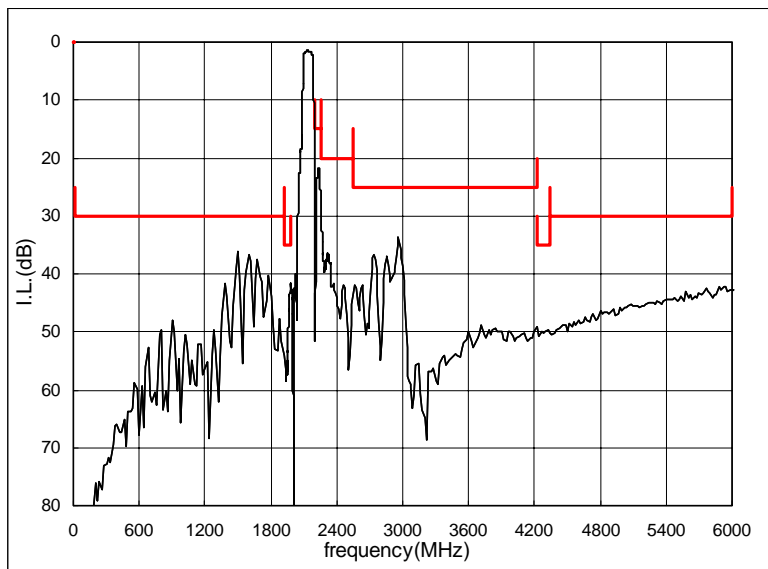
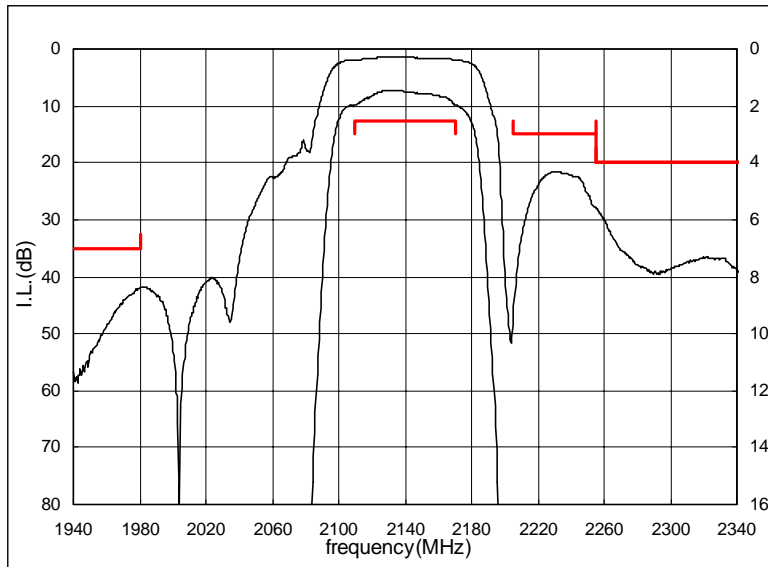
## Specification

Item	Specification		
	-30 to 85°C	25±2°C	typ.
Nominal Center Frequency(fc)	2140MHz		
Insertion Loss (2110 to 2170MHz)	2.5dB max.	2.3dB max.	1.9 dB
Absolute Attenuation			
1) 10 to 1920 MHz	30 dB min.	30 dB min.	35 dB
2) 1920 to 1980 MHz	35 dB min.	35 dB min.	40 dB
3) 2205 to 2255 MHz	15 dB min.	18 dB min.	22 dB
4) 2255 to 2550 MHz	20 dB min.	20 dB min.	27 dB
5) 2550 to 4220 MHz	25 dB min.	25 dB min.	33 dB
6) 4220 to 4340 MHz	35 dB min.	35 dB min.	43 dB
7) 4340 to 6000 MHz	30 dB min.	30 dB min.	39 dB
Ripple Deviation (2110 to 2170MHz)	1.5dB max.	1.3dB max.	0.6 dB
VSWR (2110 to 2170MHz)	1.9 max.	1.8 max.	1.5
Amplitude Balance (2110 to 2170MHz)	±1.5dB max.	±1.5dB max.	+1.0dB
Phase Balance (2110 to 2170MHz)	180±10deg. max.	180±10deg. max.	180+2deg.
Input Impedance (nominal)	50Ω		
Output Impedance (nominal)	100Ω//27nH		

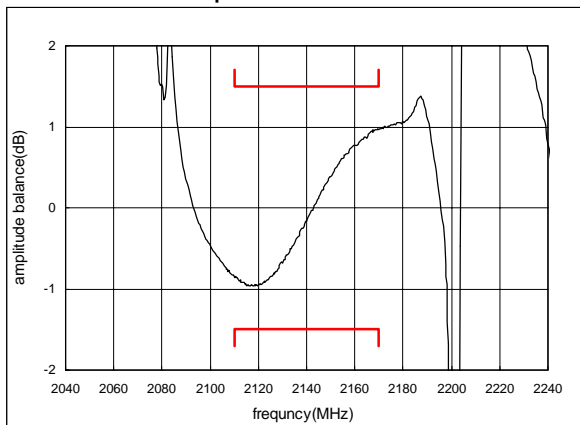
# SAW FILTER FOR W-CDMA (Rx)

Murata part number : SAFEB2G14FB0F00

## Frequency Performance



Amplitude balance



Phase balance

