

S2016 SMD Type Crystal

Features

Ultra compact and thin. (2.0 × 1.6 × 0.45 mm) by seam seal

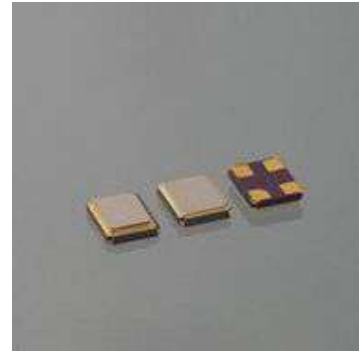
Excellent environmental characteristics,

including heat and shock resistance.

Excellent electrical performance, ideal for OA (office automation),

AV (audiovisual), Bluetooth and Wireless LAN applications.

Lead-free. Meets the requirements for re-flow profiling using lead-free solder.



Specifications

Frequency Range	16.000MHz ~ 70.000MHz
Mode of Oscillation	Fundamental
Frequency Tolerance at 25°C	±5ppm, ±10ppm, ±30ppm, or specify
Frequency Stability Over Temperature	±10ppm, ±30ppm, or specify
Operating Temperature Range	-20 ~ +70°C standard, or -40 ~ +85°C Extended
Aging	± 2ppm / year, ± 5ppm / year
Load Capacitance	8pf, 10pf, or specify
Equivalent Series Resistance (ESR)	See Table
Shunt Capacitance	5.0pf Max
Drive Level	100µW Max
Reflow Conditions	260°C For 10s Max, 2 Reflows Max

Resistance of Series Resonance (ESR)		
Frequency (MHz)	Mode	ESR
16.000~20.000	Fundamental	200ohm max
21.000~25.000	Fundamental	120ohm max
26.000 ~40.000	Fundamental	150 ohms max.
41.000 ~70.000	Fundamental	60 ohms max.

Operating Temperature Range

Operating Temperature Range	Frequency Stability
0 ~ +70°C	±10ppm、±30ppm or specify
-20 ~ +70°C	±10ppm、±30ppm or specify
-40 ~ +85°C	±10ppm、±30ppm or specify
-40 ~ +105°C	N/A
-60 ~ +125°C	N/A

PART NO. SYSTEM

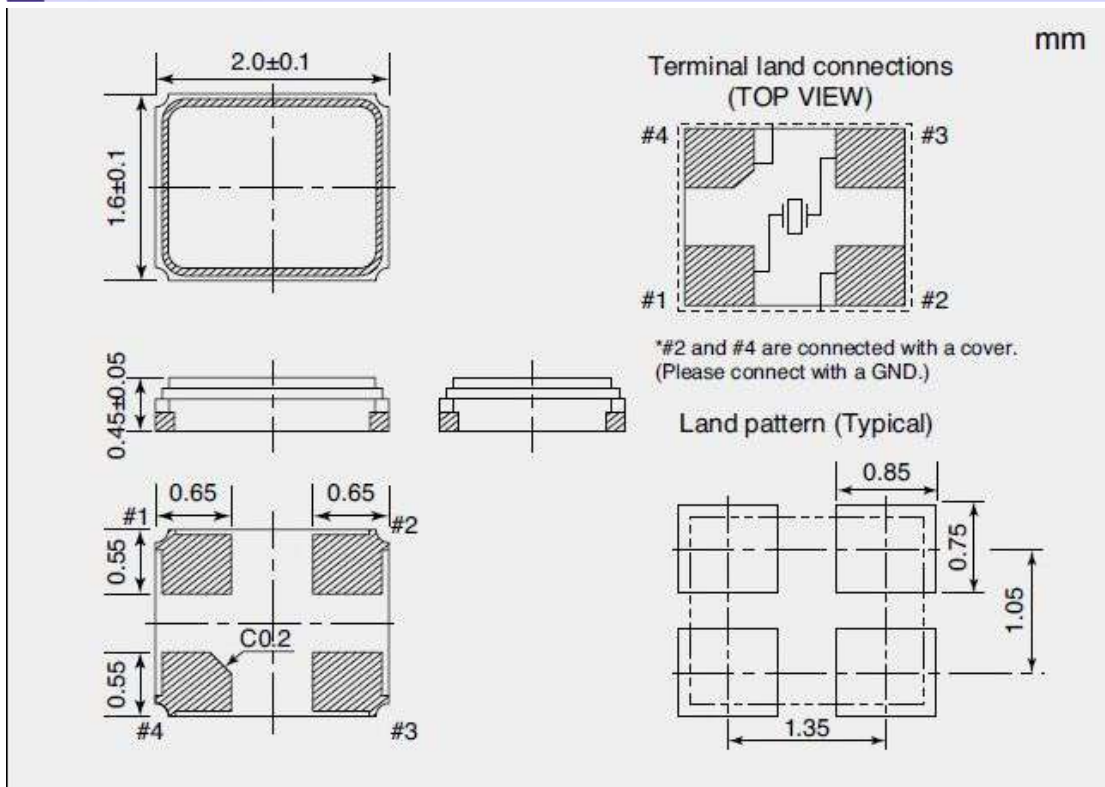
S2016-30.000M-20pF-30ppm

S	2016	30MHZ	20pF	30ppm
1	2	3	4	5

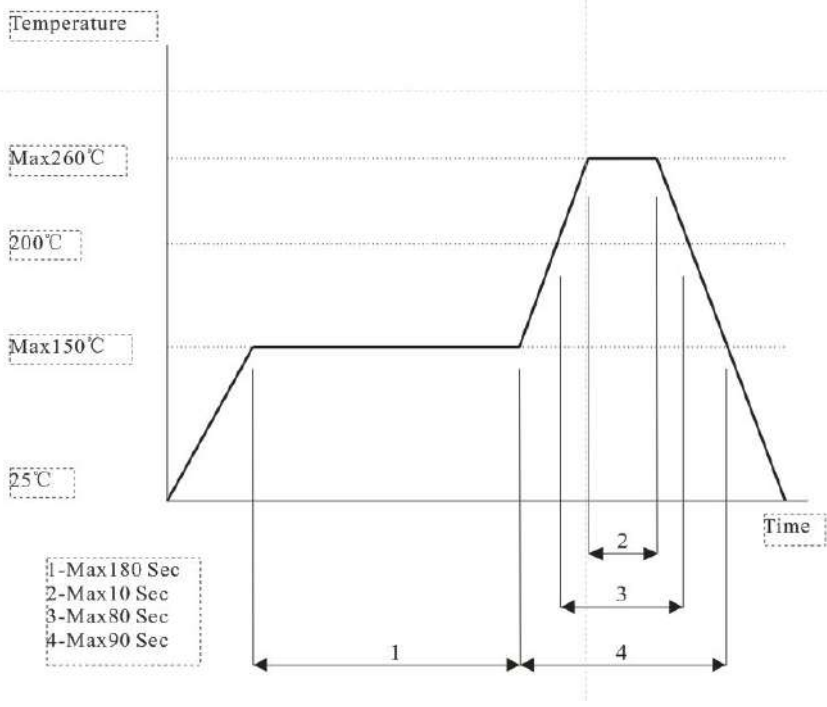
EXPLANATION:

1	STRONG LOGO
2	2.0mm*1.6mm
3	Frequency
4	Load Capacitance
5	Frequency Tolerance and Stability, for details, welcome to contact our sales and agent

Dimensions (mm)



Soldering procedure



Packing (3000/pcs)

