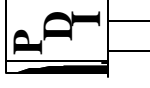


Precision Devices, Inc.

8840 N. Greenview Dr.
 Middleton, WI 53562
 Phone: 608-831-4445
 1-800-274-XTAL
 Fax: 608-831-3343



Visit our web site at www.pdixtal.com

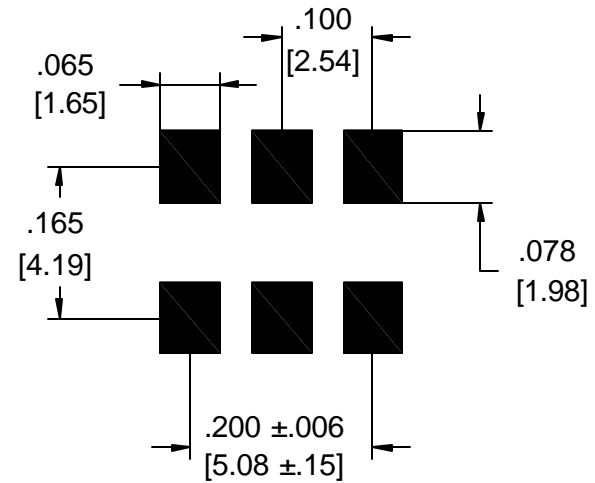
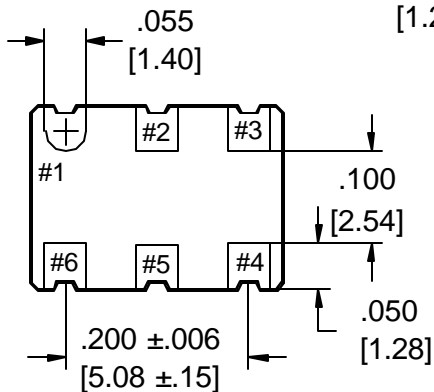
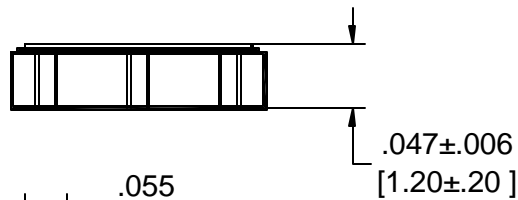
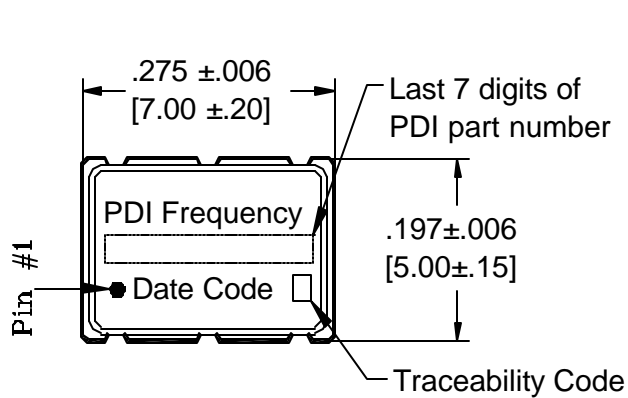
Sales Information sales@pdixtal.com

Electrical Specifications

- Center Frequency: 300.000000 MHz
- Output: LVPECL
- Frequency Tolerance: See Line 5
- Operating Temperature Range: -40°C to +85°C
- Frequency Stability: ±20ppm (Inclusive of tolerance, temperature, shock, vibration, supply voltage and aging at one year)
- Storage Temperature Range: -55°C to +125°C
- Duty Cycle: 45/55% Maximum
- Rise / Fall Times: 0.23nS Typical, 0.50nS Maximum
- Supply Current: 125mA Maximum
- Supply Voltage: +3.3Vdc±5%
- Output Levels: VOL: Vcc-1.63V Maximum
VOH: Vcc-1.02V Minimum
- Load: 50 Ohms to (Vcc-2) Vdc
- Start-up Time: 10mS Maximum
- Enable Function: 80% Vcc Minimum or N/C: Output Active
0.5V Maximum: Output disables to High-Z
- Aging: ±3ppm/first year, ±1ppm/per year after
- Phase Jitter (12KHz to 20MHz): 0.25pS Typical RMS
- Phase Noise: @10Hz -60dBc/Hz Typical
@100Hz -97dBc/Hz Typical
@1KHz -107dBc/Hz Typical
@10KHz -116dBc/Hz Typical
@100KHz -121dBc/Hz Typical
@1MHz -134dBc/Hz Typical
@10MHz -146dBc/Hz Typical
@100MHz -148dBc/Hz Typical

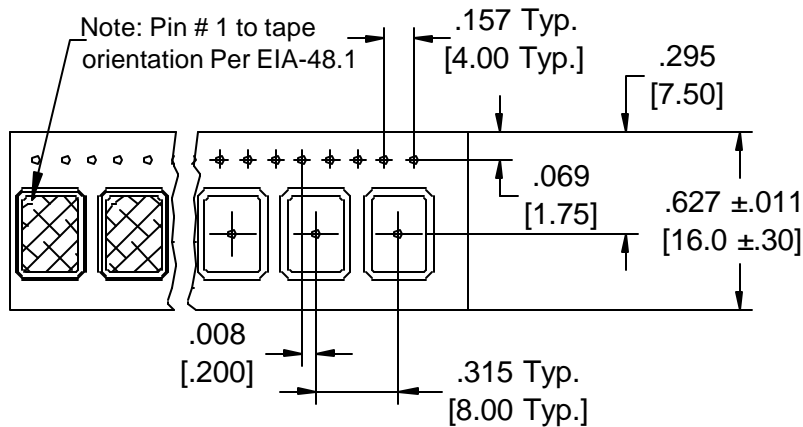
The information contained in this drawing is the sole property of Precision Devices Inc. Any reproduction in part or as a whole without the written permission of Precision Devices Inc. is prohibited.

REV.	DATE	PAGE	DESCRIPTION	Auth.	ECN	Originator	Date	Engineering	Date
						J.L.	4/15/09	M.B.	4/15/09
						TITLE Crystal Oscillator Assembly		FKA	65036R
						PART NUMBER	PE07C30000MSDRX		
						DATE	SCALE	ECN.	REV.
						4/15/09	N.T.S.	N/A	N/A
						SIZE	CAGE	Page 1 of 2	
						A	0S4G1		



Recommended Land Pattern

PIN	CONNECTION
1	Enable/Disable
2	No Connect
3	Ground
4	Output 1
5	Output 2
6	Vcc



Precision Devices Inc.



8840 N. Greenview Dr.
Middleton WI 53562
608-831-4445
1-800-274-XTAL



Manufacturer of Quartz Crystal Products

DECIMAL XX=±.020 XXX=±.008	DWG FILE 65036R	PART NUMBER PE07C30000MSDRX	
METRIC XX=±.50 XXX=±.20	SCALE N.T.S.	FREQUENCY 300.000000 MHz	DRAWN BY J.Lawinger
ANGULAR XX=±2°	DRAWING TYPE Crystal Oscillator Assembly		DATE 4/15/09
	REV. LEVEL N/A	ECN NO. N/A	CAGE CODE 0S4G1