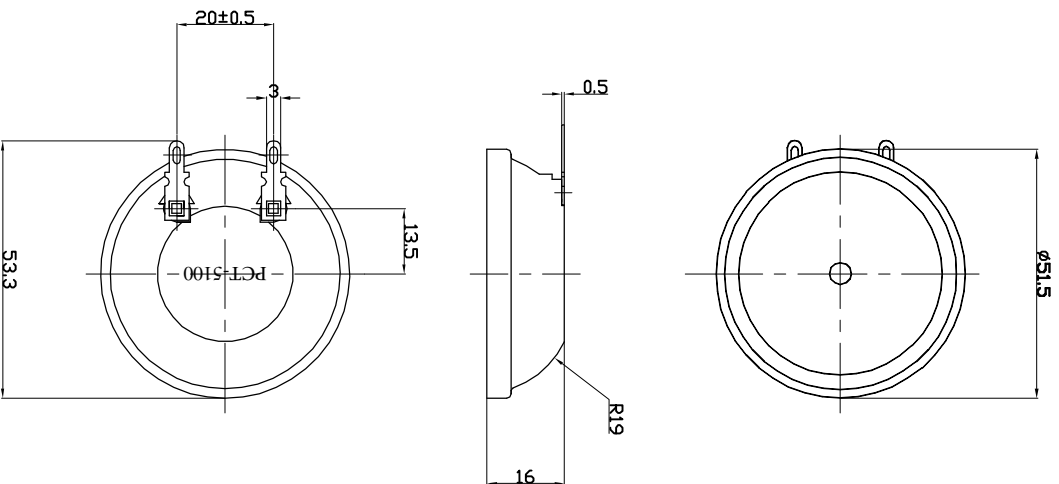
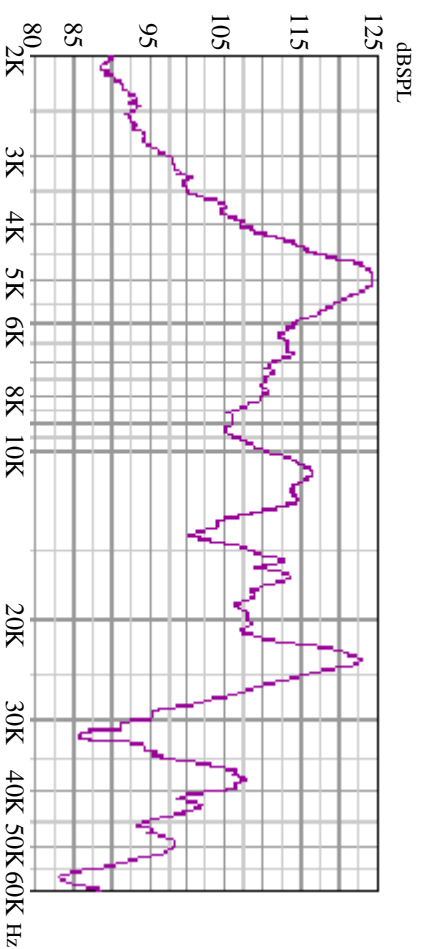


SPECIFICATION

- 1. Rated Voltage10Vp-p
- 2. Max. Rated Input Voltage30Vp-p
- 3. Rated Frequency Range2.5-60KHz
- 4. Rated Sensitivity92±3dB/w.10cm
- 5. Case MaterialPBT
- 6. Operating Temperature-20~+70 °C
- 7. Store Temperature-30~+80 °C
- 8. Weight10g



KEPO NINGBO KEPO ELECTRONIC CO.,LTD http://www.chinaacoustic.com									
Ultra Sonic Transducer									
PCT-5100									
No.	DESCRIPTION	APPROVED	DATE	UNIT	DWGNO				
FORMED IN CHINA									
DRAWN									
CHECKED									
APPROVED									
DATE									
05.03.19									
SCALE									
NOT TO SCALE									
SHEET									
KP3,8:40,509									
VER									
1,3									