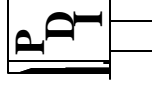


Precision Devices, Inc.

8840 N. Greenview Dr.
Middleton, WI 53562
Phone: 608-831-4445
1-800-274-XTAL
Fax: 608-831-3343



Visit our web site at www.pdixtal.com

Sales Information sales@pdixtal.com

Electrical Specifications

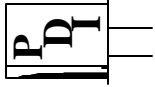
- Center Frequency: 8.000000 MHz
- Output: HCMOS/TTL
- Frequency Stability: ± 75 ppm all inclusive(@+25°C, Over Temperature, Aging, Center Frequency)
- Operating Temperature Range: -55°C to +125°C
- Storage Temperature Range: -55°C to +125°C
- Duty Cycle: 45/55% Maximum
- T-Rise, T-Fall: 6.0nSec Max., 2.0nSec Typ.
- Supply Current: 25mA Maximum
- Start Up Time: 4mSec Maximum
- Supply Voltage: +3.3Vdc $\pm 10\%$
- Output Levels: HCMOS: VOL = 10%Vdd Maximum, VOH = 90%Vdd Minimum
TTL: VOL = 0.4V Maximum, VOH = 2.4V Minimum
- Output Current Levels: IOL = 8mA Maximum, IOH = -8mA Maximum
- Output Load: 30pF/5TTL Maximum
- Jitter (Cycle to Cycle): 50pS Maximum RMS
- Tristate Function: Logic "1", or floating output enabled
Logic "0", output disabled to high impedance state

NOTE: A white dot is to be applied on Pin #1 after oscillator has gone thru operating temperature range testing. Parts will not be shipped out until white dot is present on oscillator.

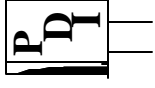
The information contained in this drawing is the sole property of Precision Devices Inc. Any reproduction in part or as a whole without the written permission of Precision Devices Inc. is prohibited.

REV.	DATE	PAGE	DESCRIPTION	Auth.	ECN	Originator	Date	Engineering	Date
						D.G.	1/18/10	B.A.	1/18/10
						TITLE Plastic J Lead Clock Oscillator Assembly		FKA	5986Q
C	1/10	1,2	Added lines 11 through 15 and changed temp range on page 2	J.L.	E0900	PART NUMBER		OP9T08000XLCExX	
B	9/08	3	Added Page 3 for Flow Chart	D.G.	E0833	DATE	1/18/10	SCALE	N.T.S.
A	12/06	1	Revise freq. stability from ± 50 ppm to ± 75 ppm all inclusive	D.B.	E0749	SIZE	A	CAGE	0S4G1
						ECN.	E0900	REV.	C
						Page 1 of 3			

Precision Devices, Inc.



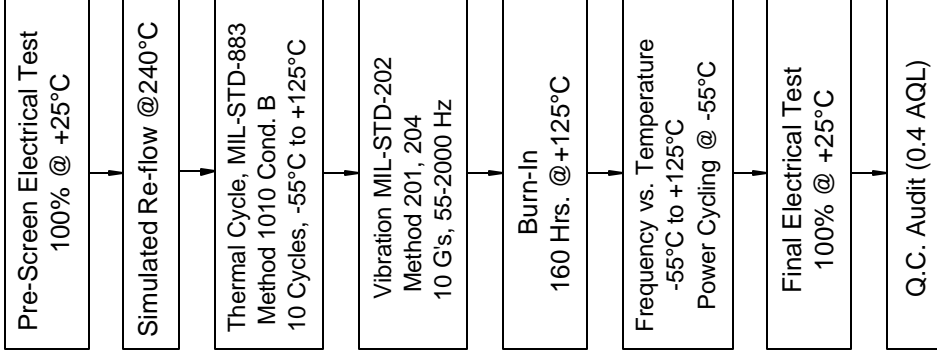
8840 N. Greenview Dr.
 Middleton, WI 53562
 Phone: 608-831-4445
 1-800-274-XTAL
 Fax: 608-831-3343



Visit our web site at www.pdixtal.com

Sales Information sales@pdixtal.com

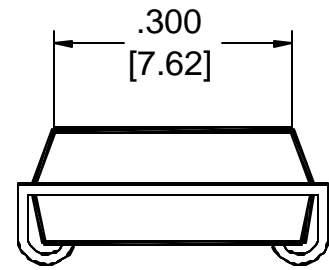
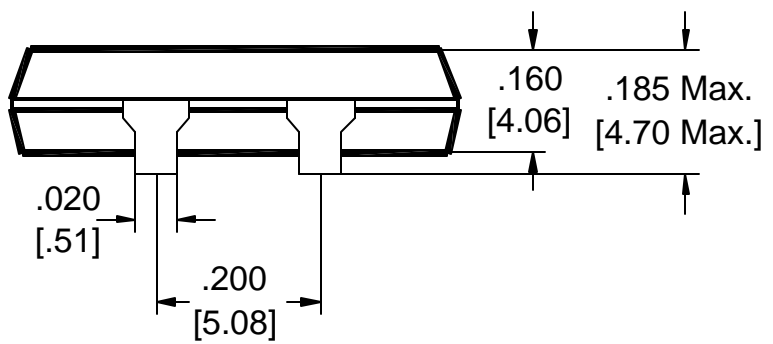
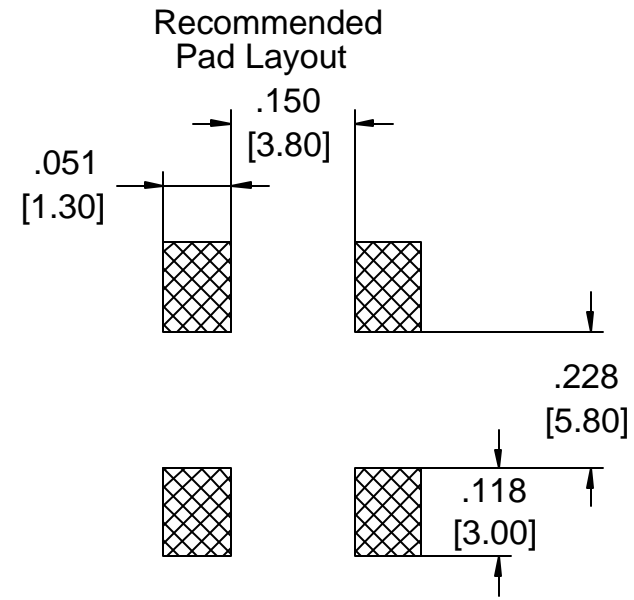
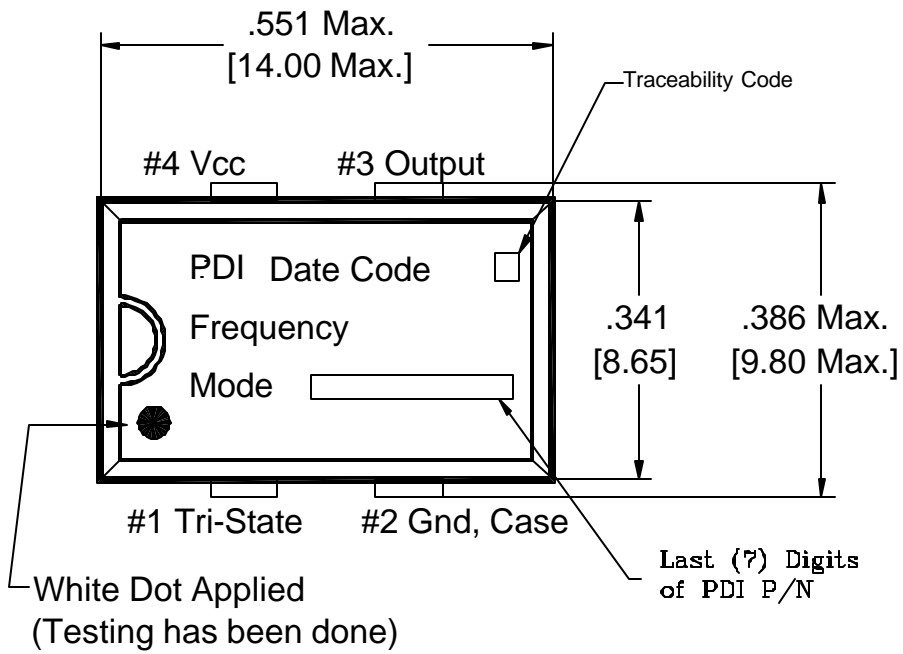
All parts shall be screened in accordance with the requirements of the Flow Chart below:



Note: A) 3.3V Power cycling during frequency vs. temperature measurement shall consist of at least 25 on/off cycles during time at -55°C.
 B) Manufacturer certificate of conformance shall accompany shipment. The C of C shall certify that screening requirements have been met.

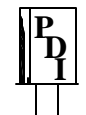
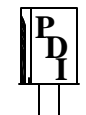
The information contained in this drawing is the sole property of Precision Devices Inc. Any reproduction in part or as a whole without the written permission of Precision Devices Inc. is prohibited.

REV.	DATE	PAGE	DESCRIPTION	Auth.	ECN	Originator	Date	Engineering	Date				
						D.G.	1/18/10	B.A.	1/18/10				
						TITLE Crystal Oscillator Assembly		FKA	5986Q				
C	1/10	1,2	Added lines 11 through 15 and changed temp range on page 2	J.L.	E0900	PART NUMBER OP9T08000XLCXX							
B	9/08	3	Added Page 3 for Flow Chart	D.G.	E0833	DATE	1/18/10	SCALE	N.T.S.	ECN.	E0900	REV.	C
A	12/06	1	Revise freq. stability from ±50ppm to ±75ppm all inclusive	D.B.	E0749	SIZE	A	CAGE	0S4G1	Page 2 of 3			



Precision Devices Inc.

8840 N. Greenview Dr.
 Middleton WI 53562
 608-831-4445
 1-800-274-XTAL



Manufacturer of Quartz Crystal Products

DECIMAL XX=±.020 XXX=±.008	DWG FILE 5986Q	PART NUMBER OP9T08000XLCExX	
METRIC XX=±.50 XXX=±.20	SCALE N.T.S.	FREQUENCY 8.000MHz	DRAWN BY D. Baumgarten
ANGULAR XX=±2°	REV. LEVEL C	ECN NO. E0900	DATE 1/18/10
		CAGE CODE 0S4G1	Page 3 of 3